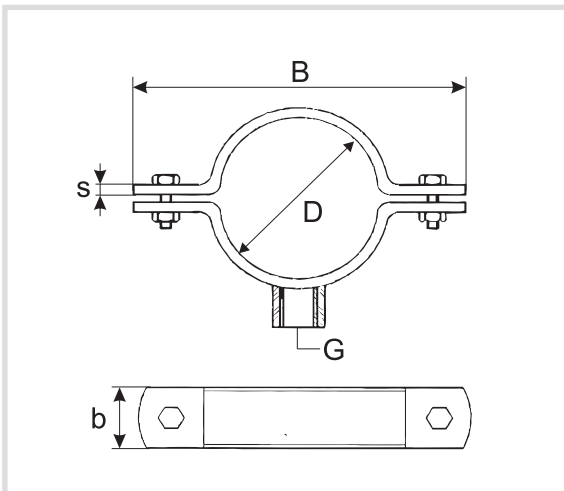


Art. 6155 Two-piece pipe clamp with sleeve - AISI 304



Technical specifications and advantages

- Made of Aisi 304 stainless steel
- Rounded edges, no sharp edges
- Closing screws: M8x25
- TIG welding of the sleeve
- Pre-assembled with self-locking nuts
- On request also in AISI 316
- Circular clamp for perfect pipe-clamp adhesion



Code	Measure. Ø [mm]	s [mm]	b [mm]	G ["]	B [mm]
6155104	104	2,5	40	1/2"	158
6155114	114	2,5	40	1/2"	168
6155124	124	2,5	40	1/2"	177
6155129	129	2,5	40	1/2"	182
6155139	139	2,5	40	1/2"	194
6155154	154	2,5	40	1/2"	208
6155168	168	2,5	40	1/2"	222
6155204	204	2,5	40	1/2"	258
6155219	219	2,5	40	1/2"	273