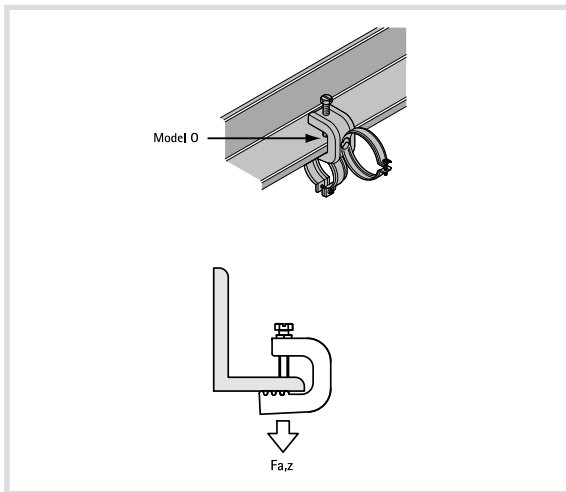


Art. 9800 Type 0 beam clamp



*Technical specifications and advantages*

- For solid fastening to steel structures without welding or drilling
- Up to beam thickness of 45 mm
- With hole for the fastening of specific clamps (code 9802xx), threaded rods or S-hooks
- With retaining screw to increase safety
- Material: steel
- Surface treatment: zinc flake



Code	A [mm]	Payload [N]
<b>980020</b>	≤ 20	1100
<b>980030</b>	≤ 30	1200
<b>980045</b>	≤ 45	1300

