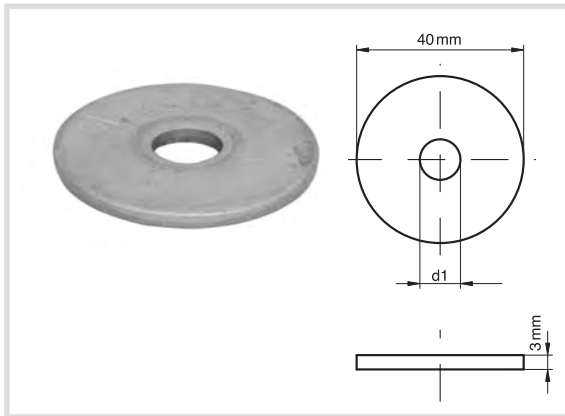


Art. 9015 Washer for CorSTRUT

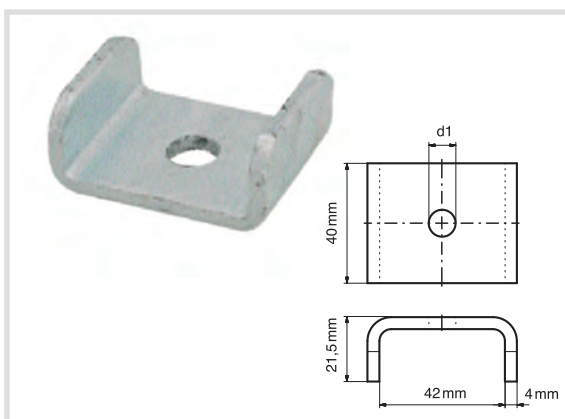


*Technical specifications and advantages*

- Flat washer
- Material: 1.0332 steel
- Hot galvanised

Code	d1 [mm]
<b>901506</b>	Ø 6,5
<b>901508</b>	Ø 8,5
<b>901510</b>	Ø 10,5
<b>901512</b>	Ø 12,5
<b>901516</b>	Ø 17

Art. 9016 U-shaped complement (washer) for CorSTRUT



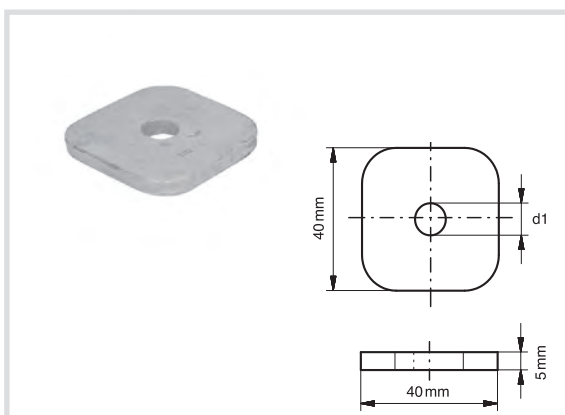
*Technical specifications and advantages*

- Made with 1.0332 steel
- Hot dipped galvanised

Code	Ø Hole [mm]
<b>901608</b>	9,0
<b>901610</b>	11,0
<b>901612</b>	13,0
<b>901616</b>	17,0



Art. 9017 Square washer for CorSTRUT



*Technical specifications and advantages*

- Made with 1.0332 steel
- Hot-dip galvanised

Code	d1 [mm]
<b>901708</b>	Ø 9,0
<b>901710</b>	Ø 11,0
<b>901712</b>	Ø 13,0