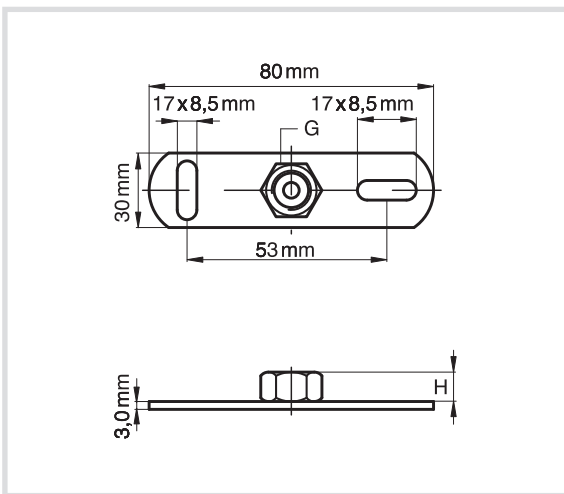


Art. 624 Wall mount flange



*Technical specifications and advantages*

- Material: steel
- Galvanised
- 90° slots to simplify assembly



Code	G	L [mm]	H [mm]	Payload [N]
<b>624001</b>	1/2 socket 1/2	80	16	3800
<b>624003</b>	M10 Nut	80	10	2500
<b>624005</b>	M8 Nut	80	7	2500

