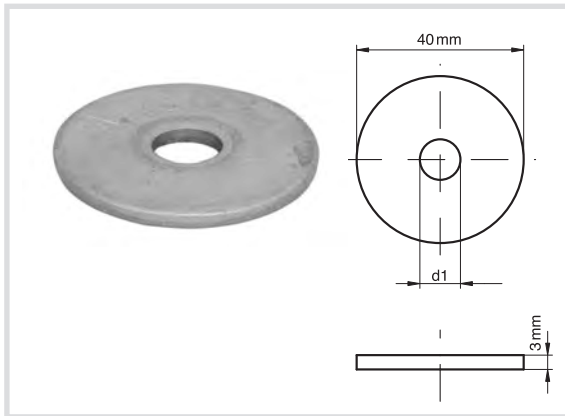


Art. 9015 Washer for CorSTRUT

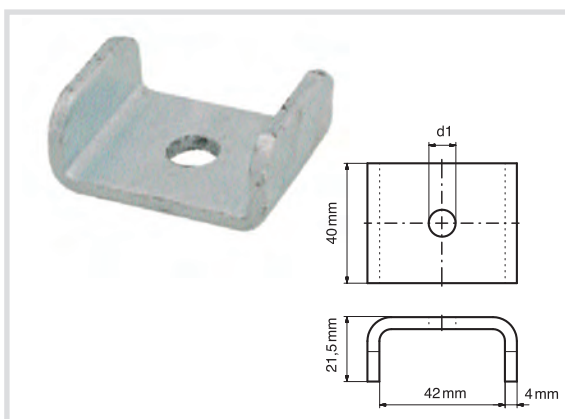


Technical specifications and advantages

- Flat washer
- Material: 1.0332 steel
- Hot galvanised

Code	d1 [mm]
901506	Ø 6,5
901508	Ø 8,5
901510	Ø 10,5
901512	Ø 12,5
901516	Ø 17

Art. 9016 U-shaped complement (washer) for CorSTRUT



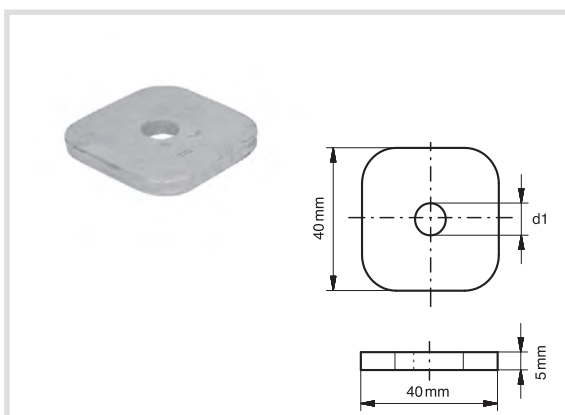
Technical specifications and advantages

- Made with 1.0332 steel
- Hot dipped galvanised

Code	Ø Hole [mm]
901608	9,0
901610	11,0
901612	13,0
901616	17,0



Art. 9017 Square washer for CorSTRUT



Technical specifications and advantages

- Made with 1.0332 steel
- Hot-dip galvanised

Code	d1 [mm]
901708	Ø 9,0
901710	Ø 11,0
901712	Ø 13,0