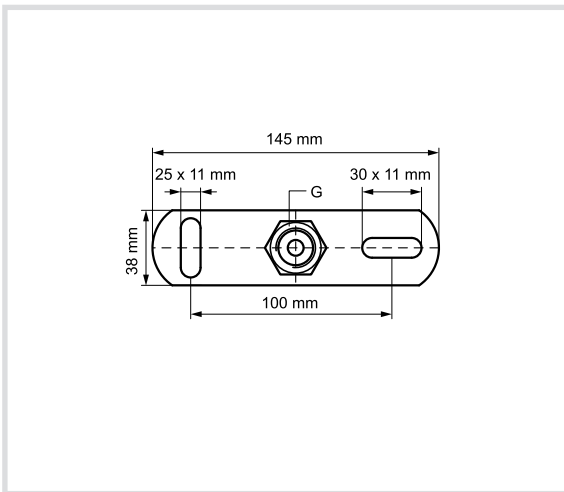


Art. 6246 Wire welded clamp holder flange



Technical specifications and advantages

- Material: steel
- Galvanised
- 90° slots to simplify assembly
- With CO₂ welding of the nut



| Code | G | H [mm] | Payload [N] |
|---------------|------------|--------|-------------|
| 624612 | M12 Nut | 14 | 6000 |
| 624616 | M16 Nut | 17 | 6000 |
| 624606 | 1/2 Sleeve | 19 | 6000 |
| 624607 | 1" Sleeve | 24 | 6000 |

