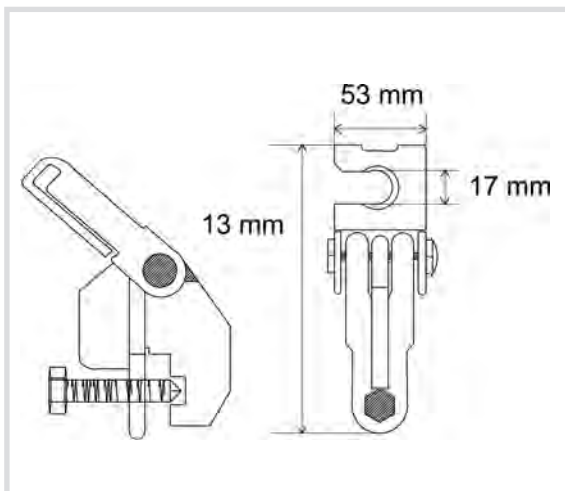


Art. 8650002 Seismic Bracing for threaded bars



#### *Technical specifications*

- Made with 1.0332 steel
- Galvanised
- For all STRUT fixing rails
- For threaded rods up to M16
- To build seismic braces with any inclination



Code

**8650002**

