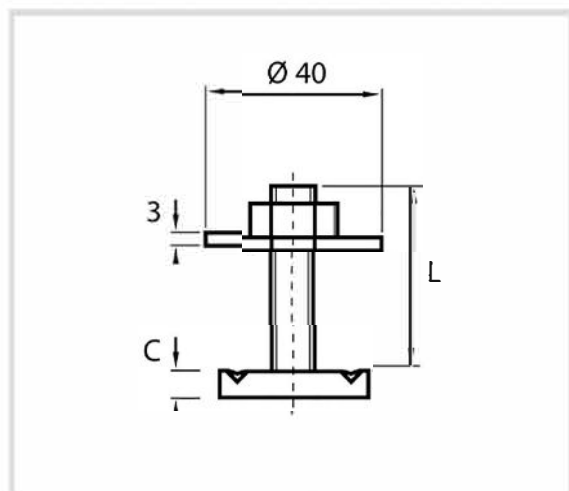


Art. 866 Tee-Bolt hommerfix STRUT



**Technical specifications and advantages**

- Sliding nut with threaded pin, round washer, pre-assembled
- In galvanised steel
- Time saving thanks to the pre-assembled system of different lengths
- Possibility of height adjustment of the pin
- Just one component for any CorSTRUT 41 profile height



| Code    | G   | L [mm] | C [mm] | Payload [N] |
|---------|-----|--------|--------|-------------|
| 8660840 | M8  | 40     | 6,0    | 6000        |
| 8660860 | M8  | 60     | 6,0    | 6000        |
| 8660810 | M8  | 100    | 6,0    | 6000        |
| 8661040 | M10 | 40     | 8,0    | 6000        |
| 8661060 | M10 | 60     | 8,0    | 6000        |
| 8661240 | M12 | 40     | 9,0    | 6000        |
| 8661260 | M12 | 60     | 9,0    | 6000        |
|         |     |        |        |             |
|         |     |        |        |             |
|         |     |        |        |             |
|         |     |        |        |             |