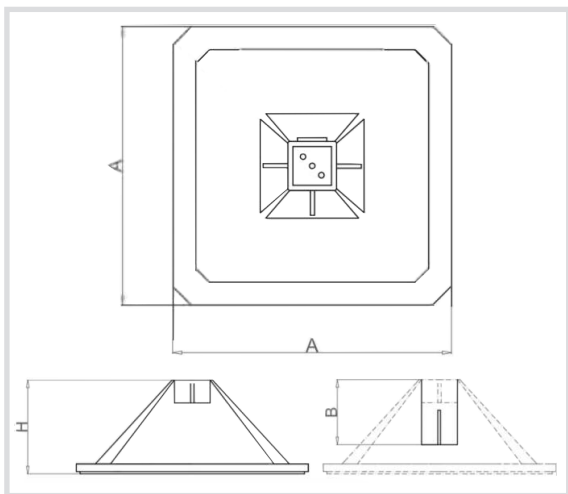
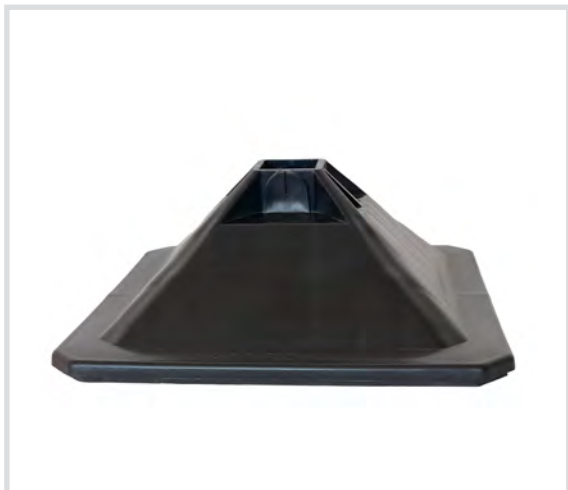


Art. 845xxx

Fabio - Foot to support structures



Technical specifications

- Modular support system to support plumbing and air conditioning systems, walkways, ducts, air treatment machines, etc.
- For flat roofs, does not damage the waterproof sheath
- For horizontal and vertical applications
- With non-slip PE foam mat, pre-fitted to absorb vibrations
- Made with recycled HDPE
- Resistant to UV rays, ageing and many chemical compounds
- For CorSTRUT fixing rails 41x41

Code	A x A [mm]	H [mm]	B [mm]	Max Payload [N]
845200	200x200	120	85	1500
845305	305x305	120	85	1750
845500	500x500	120	85	2500

