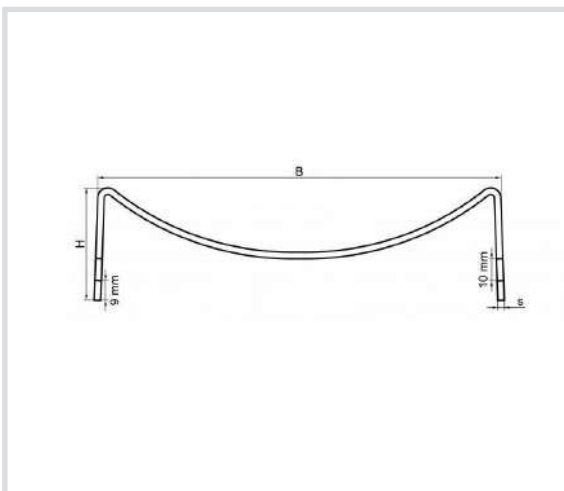


Art. 602 Pipe support saddle

Technical specifications

- Saddle to rest the pipe on the CorSTRUT fixing rail or cantilever arm and to facilitate any expansion
- It is used to obtain a structure that is integral with the building
- Electrolytic or hot galvanising
- Normally installed with omega clamp (item 6015)
- Measurements B, H, s, m, t and b are defined according to the project
- Also available with pre-assembled rubber



Code	D [mm]	D ["]
602070	68-72	
602075	74-80	2 1/2
602090	85-91	3
602100	99-105	
602110	108-118	4
602125	121-127	
602140	132-153	5
602168	159-169	6
602200	198-202	
602219	216-225	8
602250	244-250	
602273	273	10
602325	315-325	12
602364	354-364	14
602408	398-408	16
602458	448-458	18
602509	499-509	20

