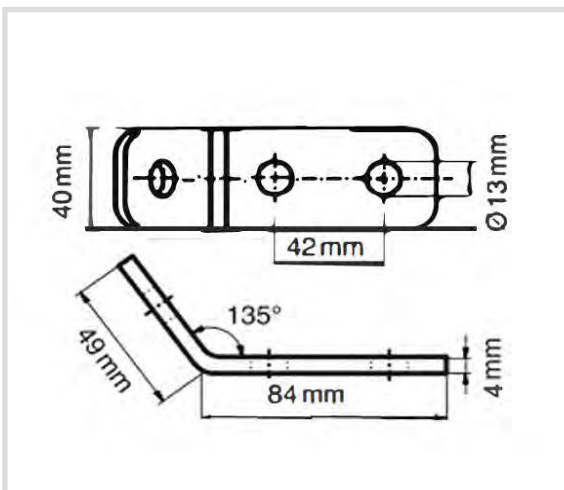
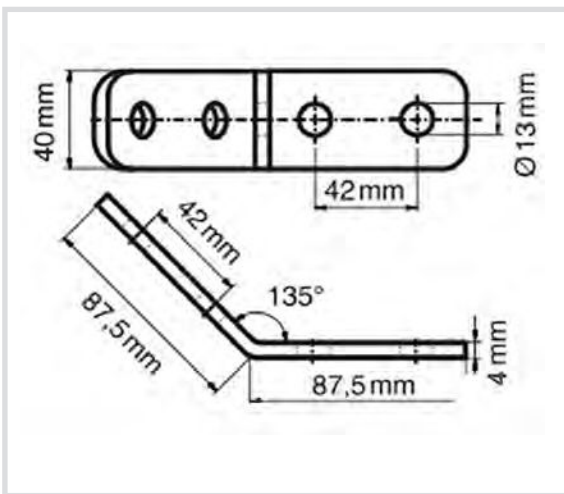


Art. 8615X04 CorSTRUT 45° angle bracket - AISI 304



Technical specifications and advantages

- To create structures with the STRUT fixing rail
- In AISI 304 stainless steel
- 45° inclination



Code	Type	Holes	Fixing rails
8615X043	135°	3	STRUT
8615X045	135°	4	STRUT