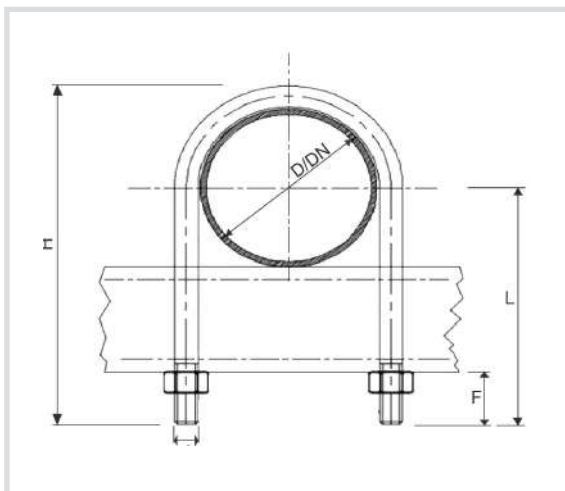


Art. 606L Long U-bolt pipe clamp with 2 nuts and 2 washers



Technical specifications and advantages

- For the fastening of pipes to fixing rails and wall brackets CorSTRUT 41x41
- The package includes: two nuts and two washers for fastening
- Material: S235JR steel
- Galvanised
- Nuts UNI 5588
- UNI 6592 washers
- Suitable for pipes for industrial systems



Code	D [mm]	D ["]	d nut	F [mm]	L [mm]	H [mm]
606L21	15	1/2	M8	30	74	93
606L27	20	3/4	M8	30	78	101
606L34	25	1	M10	40	80	105
606L42	32	1 1/4	M10	40	90	120
606L48	40	1 1/2	M10	40	95	128
606L60	50	2	M10	40	101	140
606L75	65	2 1/2	M12	50	114	162
606L90	80	3	M12	50	120	175
606L10	100	4	M12	50	133	201
606L12	125	5	M12	50	160	240
606L14	150	6	M12	50	164	260
606L16	200	8	M16	50	192	314
606L18	250	10	M16	50	221	370
606L19	300	12	M16	50	248	420

