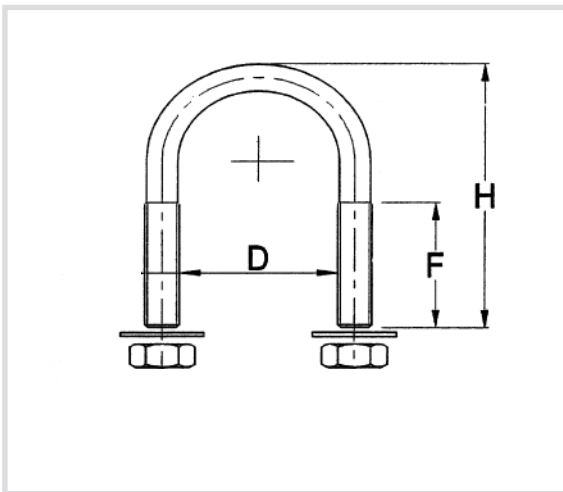


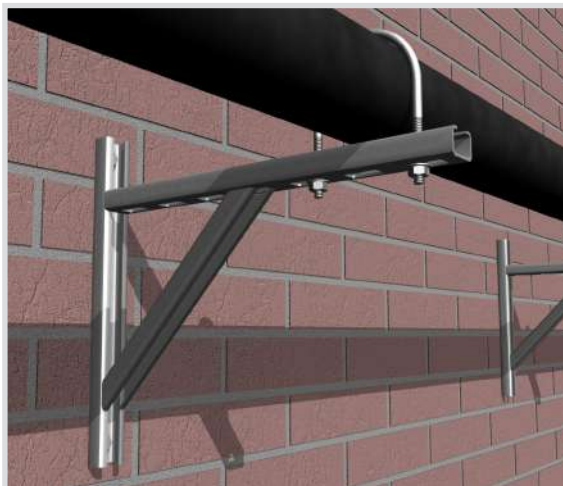
Art. 606 U-bolt pipe clamp with 2 nuts and 2 washers

Technical specifications and advantages

- For fastening pipes to wall brackets and fixing rails
- The package includes two nuts and two washers for fastening
- Made of S235JR galvanised steel
- Nuts UNI 5588
- UNI 6592 washers on request
- Suitable for pipes for civil and industrial systems
- On request we can make non-standard sizes



Code	D [mm]	D ["]	Nut	F [mm]	H [mm]
606018	17,2	3/8	M6	19	42
606021	21,5	1/2	M6	25	48
606027	26,9	3/4	M6	25	52
606034	33,7	1	M6	25	60
606042	42,4	1 1/4	M6	25	68
606048	48,3	1 1/2	M8	30	80
606060	60,3	2	M8	30	92
606075	76,1	2 1/2	M8	30	108
606090	88,9	3	M8	30	120
606102	102	-	M8	35	138
606110	114,3	4	M8	35	149
606139	139,7	5	M8	35	176
606168	168,3	6	M10	45	211
606219	219,1	8	M10	45	263
606274	273,0	10	M10	45	317
606324	323,9	12	M16	60	383
606350	356,0	14	M16	60	415
606408	408,0	16	M16	60	467
606460	457,0	18	M20	65	524
606510	508,0	20	M20	65	574
606600	612,0	24	M20	70	580



Code heavy type	D [mm]	D ["]	Nut	F [mm]	H [mm]
606P21	21,5	1/2	M8	30	59
606P27	26,9	3/4	M8	30	63
606P34	33,7	1	M8	30	71
606P42	42,4	1 1/4	M8	30	79
606P48	48,3	1 1/2	M10	40	91
606P60	60,3	2	M10	40	103
606P75	76,1	2 1/2	M10	40	119
606P90	88,9	3	M10	40	131
606P10	114,3	4	M12	50	167
606P12	139,7	5	M12	50	191
606P14	168,3	6	M12	50	219
606P16	219,1	8	M16	60	282
606P18	273,0	10	M16	60	336
606P19	323,9	12	M20	70	397