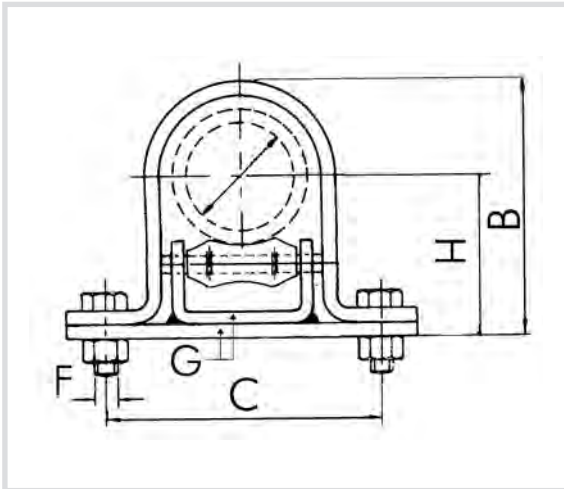


Art. 993 Pipe rollers with protection and assembly support - Iron pipes

*Technical specifications and advantages*

- Made of galvanised steel
- Cast iron roller
- With pre-assembled protection to prevent the pipe from slipping
- Nylon coating on request



Code	Measurements pipe	Ø	Dimens. G [mm]	Bolts F [mm]	C [mm]	H x B [mm]	Payload [N]
993034	fino a 1"		40 x 3	M10 x 30	77	71x77	1050
993048	1 1/4 e 1 1/2		40 x 3	M10 x 30	108	89x108	1050
993060	60 - 2"		40 x 3	M10 x 30	115	105x115	1050
993075	76,1 - 2 1/2		40 x 5	M12 x 40	140	81x128	1050
993090	88,9 - 3"		40 x 5	M12 x 40	180	88x137	1400
993110	114,3 - 4"		40 x 5	M12 x 40	180	101x163	2150
993139	139,7 - 5"		50 x 6	M16 x 50	230	177x205	3100
993168	168,3 - 6"		50 x 6	M16 x 50	230	141x237	3100
993219	219,1 - 8"		50 x 10	M20 x 60	375	200x322	5000
993273	273 - 10"		50 x 12	M24 x 70	430	250x400	9750
993323	323,9 - 12"		50 x 12	M24 x 70	490	289x469	10500
993355	355,6 - 14"		70 x 12	M24 x 70	510	335x530	-
993406	406,4 - 16"		70 x 12	M24 x 70	570	363x586	-
993457	457 - 18"		100 x 12	M24 x 70	645	410x665	-
993508	508,0 - 20"		100 x 12	M24 x 70	660	440x720	-
993609	609,6 - 24"		100 x 12	M24 x 70	790	515x850	-

