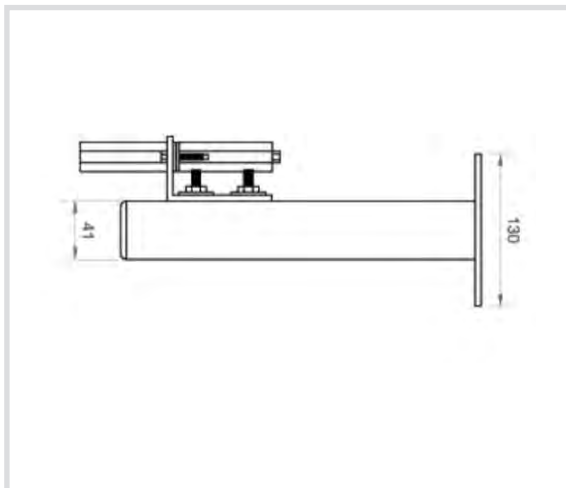
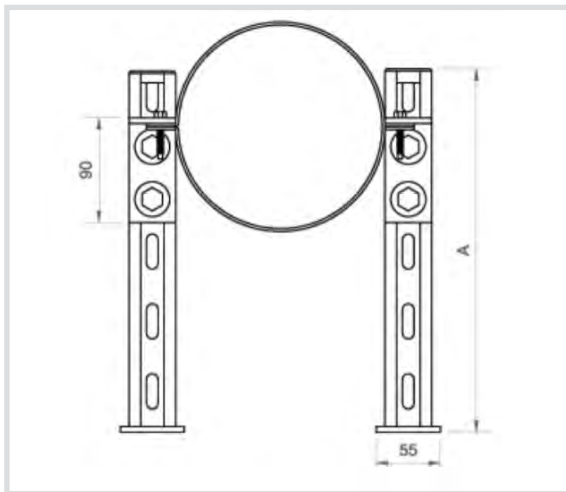


Art. 976 Downpipe bracket



*Technical specifications and advantages*

- Possibility of adjusting the distance
- It is possible to insert bracing to increase the axial resistance
- In galvanised steel
- Components for standard downpipe bracket:  
2 CorSTRUT cantilever arms, 2 special 90° angle brackets, 1 heavy clamp
- In case of downpipe, a heavy clamp may be sufficient as the structure has a guiding function
- Clamp, with or without rubber, not included in the package



Code	A [mm]
976300	300
976450	450
976600	600