

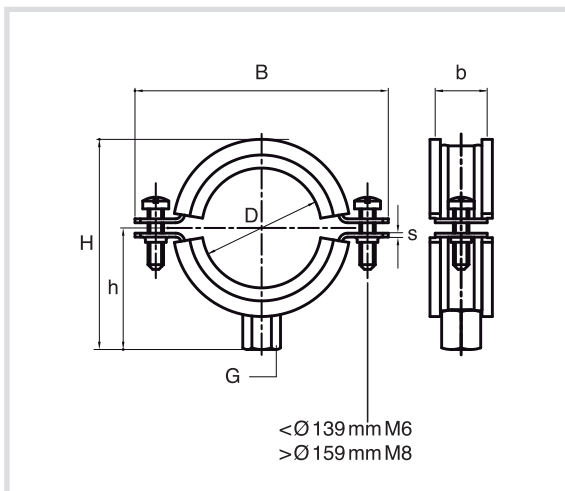
Art. 570 Cipo pipe clamp with rubber lining - M8/M10

WATCH THE VIDEO



Technical specifications and advantages

- Clamp with 2 screws
- Washer pre-inserted to avoid losing the screw
- Screws with non-threaded tip for centring and immediate threading attachment
- DIN-ISO 7051 combined cut with false washer
- Material: S235JR steel
- Galvanised
- Induction welded M8/M10 nut
- EPDM rubber resistant to ageing
- Noise insulation according to DIN 4109
- Can be fastened with the ECO Kit for ECO fixing without disposable plastic in the packaging



Code	D [mm]	D ["]	D [DN]	G	B [mm]	H [mm]	h [mm]	b x s [mm]	Payload (N)
570014	12-15	1/4	-	M8/M10	61	43	27	20 x 1,50	300
570018	15-18	3/8	10	M8/M10	65	49	33	20 x 1,50	350
570021	20-24	1/2	15	M8/M10	68	52	35	20 x 1,50	350
570027	23-28	3/4	20	M8/M10	75	58	37	20 x 1,50	350
570034	32-36	1"	25	M8/M10	82	63	39	20 x 1,50	350
570042	38-44	1 1/4	32	M8/M10	87	74	43	20 x 1,50	350
570048	44-50	1 1/2	40	M8/M10	95	77	45	20 x 1,50	350
570054	54-58	-	-	M8/M10	101	85	49	20 x 1,50	350
570060	59-65	2"	50	M8/M10	110	91	52	20 x 1,50	350
570070	68-72	-	-	M10	130	88	56	25 x 3,00	1000
570075	74-80	2 1/2	65	M8/M10	131	108	63	25 x 2,50	1000
570090	83-93	3"	80	M8/M10	140	120	65	25 x 2,50	1000
570100	99-105	-	-	M8/M10	155	133	75	25 x 2,50	1000
570110	108-118	4"	100	M8/M10	161	140	77	25 x 2,50	1000
570125	121-127	-	-	M8/M10	183	159	84	25 x 2,50	1000
570140	132-143	5"	125	M8/M10	194	170	90	25 x 2,50	1000
570169	159-169	6"	150	M8/M10	232	202	107	25 x 3,00	1220
570200	198-202	-	-	M8/M10	268	238	125	25 x 3,00	1220
570212	210-212	-	-	M8/M10	273	241	128	25 x 3,00	1220
570219	216-225	8"	200	M8/M10	283	251	132	25 x 3,00	1220
570250	249-254	-	-	M8/M10	320	270	151	25 x 2,50	1000