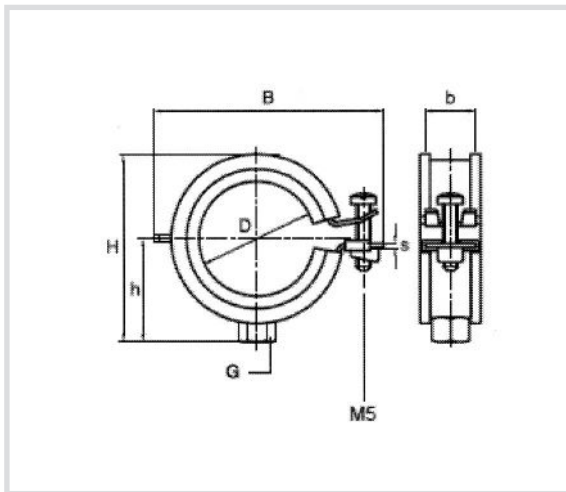


Art. 5800 KRI pipe clamp with rubber lining - M8



Technical specifications and advantages

- Clamp with a single screw, pre-assembled
- Material: steel
- Galvanised
- Induction welded M8 nut
- EPDM rubber resistant to ageing



Code	D (mm)	D (")	G	B (mm)	H (mm)	h (mm)	b x s (mm)	Payload (N)
580014	12 - 14	1/4	M8	48	35	19	20x1,2	400
580018	15 - 18	3/8	M8	50	37	20	20x1,2	400
580021	20 - 23	1/2	M8	53	37	23	20x1,2	400
580027	25 - 28	3/4	M8	58	48	26	20x1,2	400
580034	32 - 35	1	M8	66	53	28	20x1,2	400
580042	40 - 43	1 1/4	M8	73	63	32	20x1,2	400
580048	44 - 49	1 1/2	M8	79	67	35	20x1,2	400
580054	50 - 55	-	M8	87	79	41	20x1,2	400
580060	57 - 61	2	M8	95	87	45	20x1,2	400

