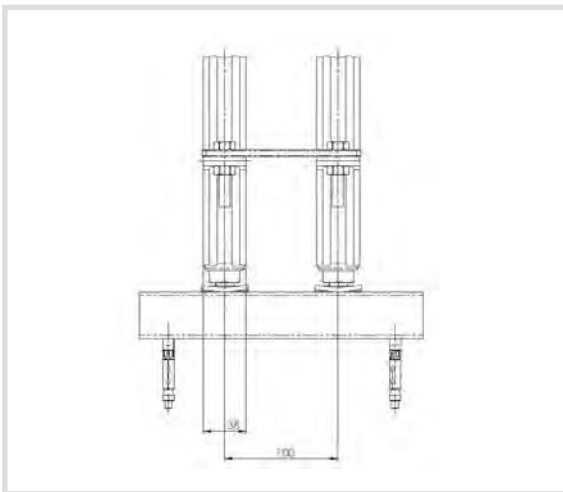


Art. 972000 Corh PFP - Fixed point on CorSTRUT fixingrail

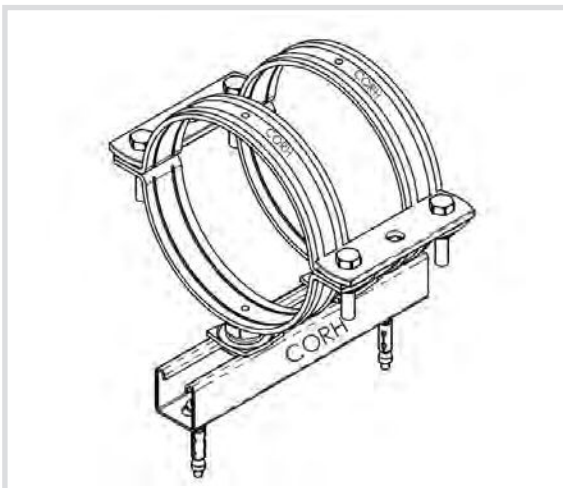


Technical specifications and advantages

- Ideal solution for pipes subject to significant contractions and/or expansions
- Suitable for all types of fixed point on fixing rail with guide 41, both with horizontal and vertical pipe
- In galvanised steel, on request also in stainless steel
- One pack includes: 2 straight connections, 2 slide nuts and relative fixing screws



Code	For fixing rail
972042	1" 1/4
972048	1" 1/2
972060	2"
972076	2" 1/2
972090	3"
972114	4"
972140	5"
972168	6"



SPECIFICATION ITEM

Supply and installation of brackets with fixed point for pipes subject to thermal expansion on fixing rail, with straight connection, clamps and relative fastening components in S235JR steel