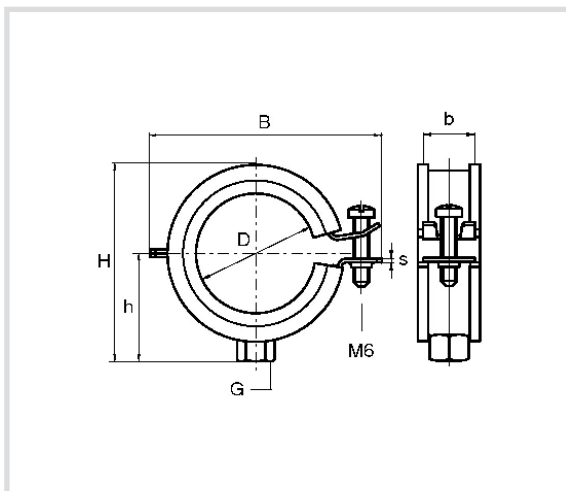


Art. 540 Pipe clamp silicone rubber lining - M8/M10



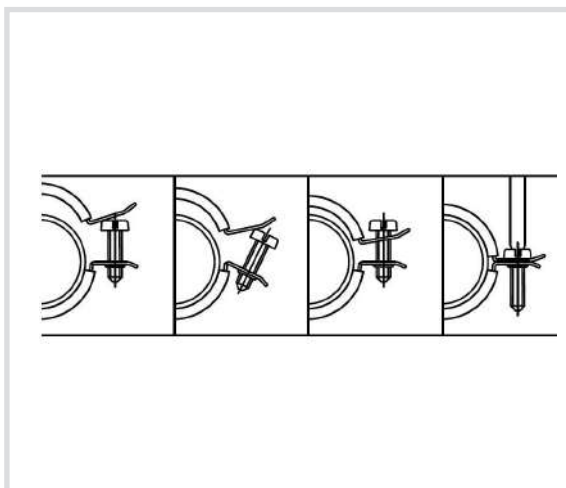
*Technical specifications and advantages*

- Pre-assembled
- Silicone rubber
- Red
- Material: steel
- Galvanised
- Patented locking system
- Resistant up to 200°C
- Noise insulation according to DIN 4109
- Ageing-resistant rubber
- Tested for fire resistance



RAL-GZ 655/B Cert. No. 2005-08      RAL-GZ 656 Cert. No. 2011-11

Code	D [mm]	D ["]	D [DN]	G	B [mm]	H [mm]	h [mm]	b x s [mm]	Payload [N]
<b>540018</b>	15 - 18	3/8	10	M8/10	48	44	30	20x1,00	600
<b>540021</b>	20 - 23	1/2	15	M8/10	55	47	31	20x1,00	600
<b>540027</b>	25 - 28	3/4	20	M8/10	60	52	34	20x1,00	600
<b>540034</b>	31 - 35	1	25	M8/10	67	59	38	20x1,00	600
<b>540042</b>	40 - 43	1 1/4	32	M8/10	75	68	42	20x1,25	800
<b>540054</b>	48 - 53	1 1/2	40	M8/10	85	74	45	20x1,25	800
<b>540060</b>	57 - 63	2	50	M8/10	94	86	51	20x1,25	800

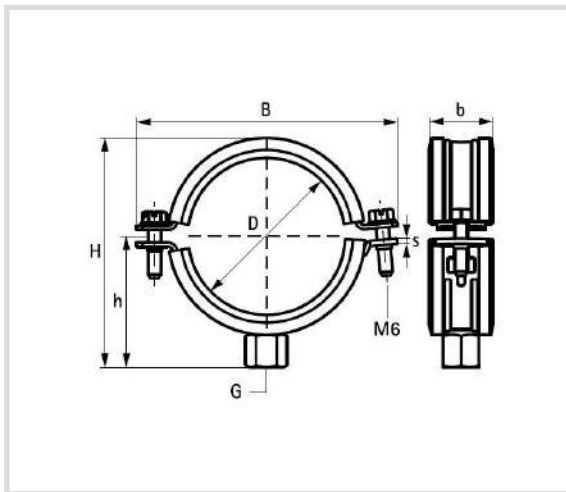


Art. 540 Pipe clamp silicone rubber lining - M8/M10



*Technical specifications and advantages*

- Pre-assembled
- Silicone rubber
- Material: steel
- Galvanised
- Red
- Resistant up to 200°C
- Isophonic according to DIN 4109 - M8 / M10 nut
- Ageing-resistant rubber
- Tested for fire resistance



Code	D	D	D	G	B	H	h	b x s	Payload
<b>540075</b>	73-80	2 1/2	65	M8/10	126	109	61	23x2,00	930
<b>540090</b>	83-91	3	80	M8/10	137	121	67	25x2,50	930
<b>540110</b>	108-114	4	100	M8/10	160	141	79	25x2,50	930
<b>540140</b>	133-141	5	125	M8/10	189	170	92	25x2,50	930
<b>540168</b>		6							

