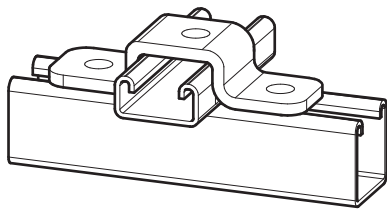
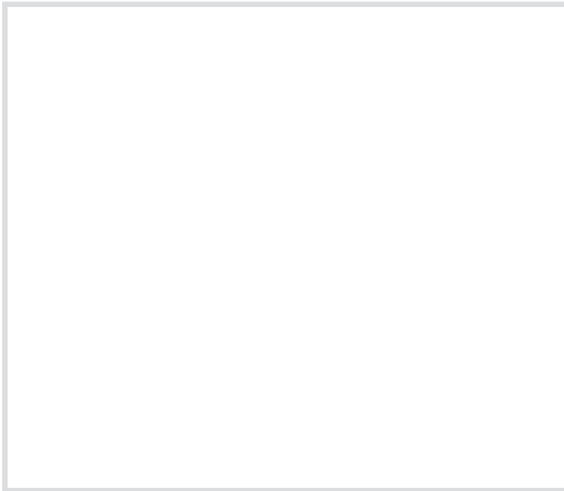


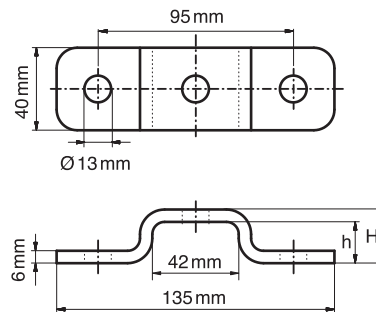
Art. 8642X CorSTRUT cross rail connector - AISI 304



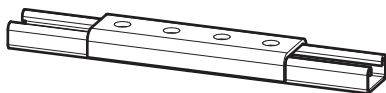
Technical specifications and advantages

- With rounded corners
- In AISI 304 stainless steel

Code	Per	H [mm]	h [mm]
8642X21	STRUT 41x21	26	20
8642X41	STRUT 41x41	46	40



Art. 865X CorSTRUT U connector - AISI 304



Technical specifications and advantages

- In AISI 304 stainless steel

Code	For	H [mm]
865X421	STRUT 41x21	21,5
865X441	STRUT 41x41	41,5

