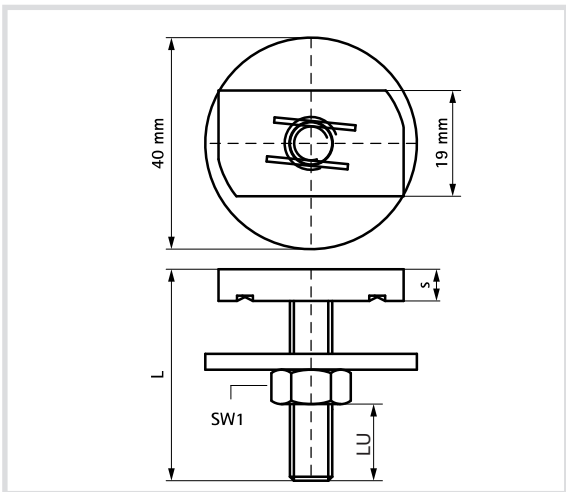


Art. 8695R CorSTRUT hammerfix - AISI 316



Technical specifications and advantages

- In AISI 316 stainless steel
- For STRUT fixing rails
- Pre-assembled
- Tested for M10-M12 fire resistance



Code	G	L [mm]	For	SW1 [mm]	LU [mm]	s [mm]
8695R840	M8	40	STRUT	13	18	6,0
8695R860	M8	60	STRUT	13	38	6,0
8695R140	M10	40	STRUT	17	14	8,0
8695R240	M12	40	STRUT	19	10	9,0
8695R260	M12	60	STRUT	19	30	9,0

