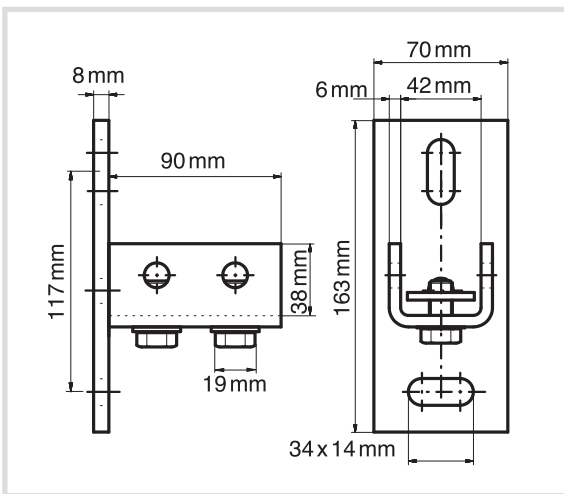


Art. 869X CorSTRUT heavy duty cantilever arm support with bolts and nuts - AISI 304



Technical specifications and advantages

- To build cantilever arms
- With pre-fitted bolts
- Extremely heavy
- In AISI 304 stainless steel



Code	For
869X001	STRUT

