

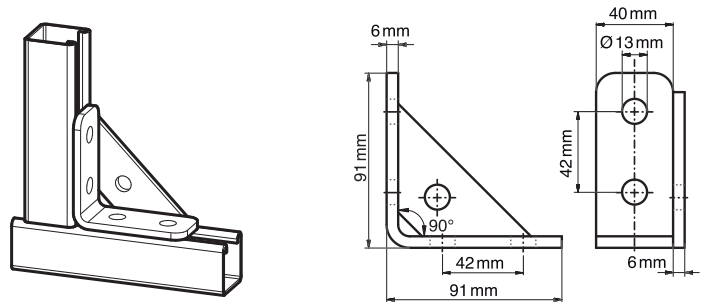
Art. 8618X CorSTRUT reinforced connector at 90° - AISI 304



Technical specifications and advantages

- Easy to assemble on STRUT fixing rails
- Rounded edges
- In AISI 304 stainless steel
- On request in AISI 316

Code	For	α [°]
8618X90	STRUT	90



Art. 8615X CorSTRUT connector 90° - AISI 304



Technical specifications and advantages

- In AISI 304 stainless steel
- On request in AISI 316

Codice	Per	α [°]	Fori
8615X090	STRUT	90	4
8615X093	STRUT	90	3

