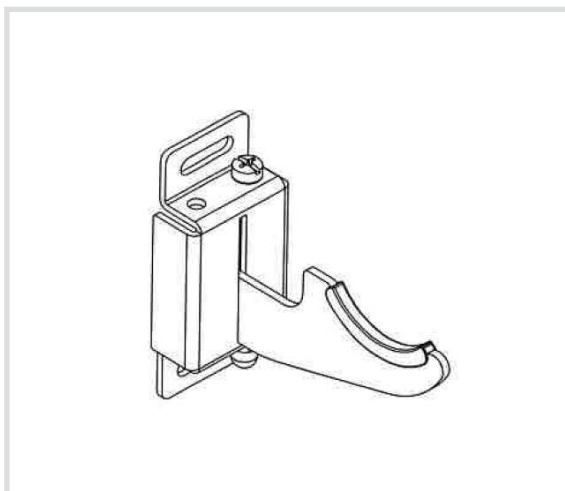


Art. 628 Noise insulation Jeko® wall bracket for aluminum radiator
Noise insulation Jeko® wall bracket for aluminum radiator



Technical specifications and advantages

- Made of steel
- Part fixed to the wall equipped with a white PVC plastic cover for aesthetic purposes
- Plasticised isophonic reinforcement on clear wall bracket
- Includes screws and anchors for wall assembly
- Adjustable height to have the radiator level
- Kit includes: 2 wall brackets, 2 hooks to be fastened to the wall, 4 screws 4.5x60 mm, 4 anchors 6x30, 2 adjustment screws, 2 blind nuts



Code	Height adjustment [mm]	Wall/axis distance radiator [mm]	Payload [N]
628007	20	72	500

