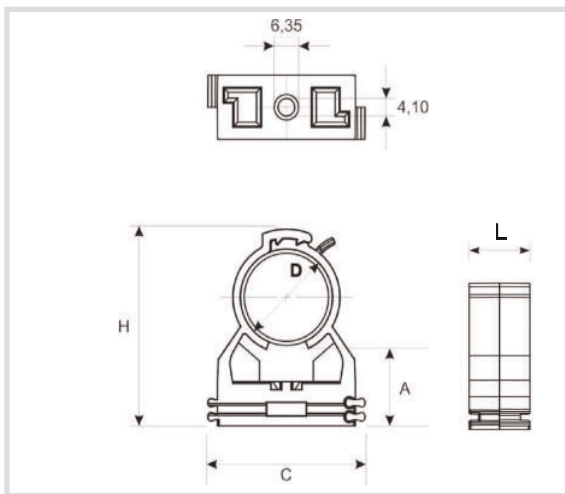


Art. 118 C-Fast clamp with quick lock for all pipes



Technical specifications and advantages

- Patented tool-free locking
- Complete tightening around the pipe by applying pressure to the pipe
- Ideal for all types of pipe
- Material: modified copolymer, halogen-free
- Anti-UV additive
- High chemical resistance
- Resistant to ageing, oils and petroleum derivatives
- Ideal for all applications, including environments subject to corrosive or atmospheric agents, chemicals, swimming pools, etc.
- Each C-Fast covers multiple diameters
- Complete range from diameter 10 to diameter 65.0
- Suitable from -10°C to 90°C
- Fire behaviour: class V0
- Colour grey, other colours available on request

Code	D [mm]	D ["]	Type	C [mm]	H [mm]	A [mm]	L [mm]	Payload [N]	FS [N]
118010	10-12	1/8	CF-10	30,5	30	15	15,8	550	250
118014	14-16	1/4	CF-14	31	38	17	15,8	900	250
118017	16,5-20	3/8	CF-17	31	41	19,5	15,8	700	250
118020	20-23	1/2	CF-20	31	41	17,5	15,8	800	250
118025	25-29	3/4	CF-25	41	48	20	15,9	800	250
118032	32-35	1	CF-32	40	56	20	15,8	1000	-
118040	40-45	1 1/4	CF-40	51	64,5	21	16,6	900	-
118048	48-55	1 1/2	CF-48	63,5	78	25	16,3	800	-
118059	58,5-65	2	CF-59	73	70	27	16,2	1000	-

