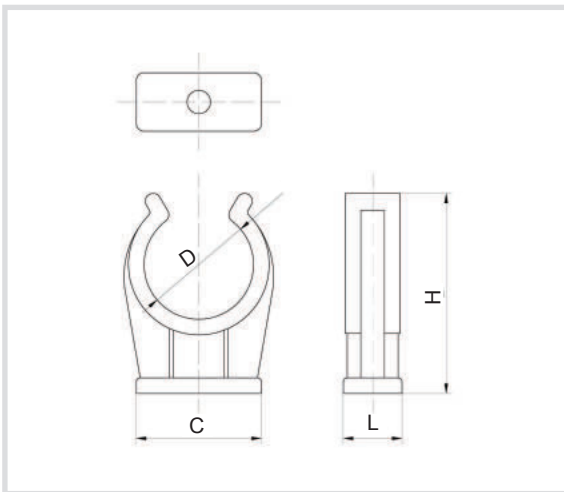


Art. 119 Open Clip for pipes fastening



Technical specifications and advantages

- Open clip for pipes fastening
- Material: copolymer
- Suitable from -10°C to 90°C
- High tensile strength
- White colour
- Quick installation of the pipe in the open clip
- The open clip can be fastened with screws or M6 bolts



Code	D [mm]	C [mm]	H [mm]	L [mm]
119006	6	13	18	15
119008	8	14	19	15
119010	10	15	21	17
119012	12	17	23	16
119015	14-15	24	27	16
119017	16-18	23	34	16
119020	20-22	25	38	16
119025	25-28	33	50	16
119035	35	34	52	17

