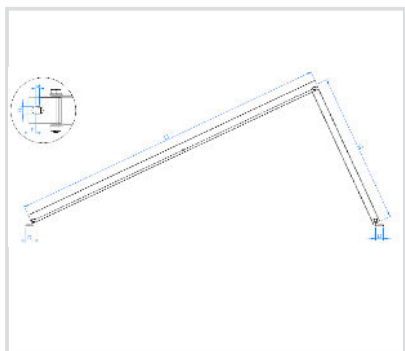


Art. 7290000 Pre-assembled VM triangle with adjustable inclination



*Technical features and advantages*

- Pre-assembled VM profile triangle for fixing solar panels on roofs
- Material: aluminum
- For triangular applications
- Adjustable inclination: 25°, 30° and 35°
- The triangle can be fixed to the roof directly using ballast or using VM and PAL profiles
- The panels are fixed to the triangle using VM or VML profiles and connector



Code	L1 [mm]	L2 [mm]	D [mm]	F [mm]	G [mm]	H [mm]
<b>7290000</b>	1500	710	37	10	5	10



Profile VM 723



Reinforcement to L 7292000

