

Fissaggi 01



Clamp Accessories



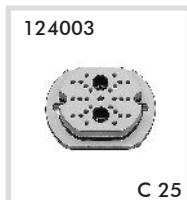
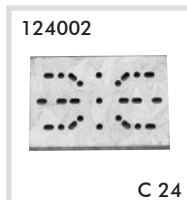
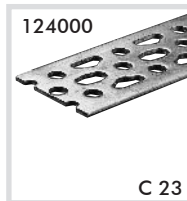
Clamp accessories

- C 1 Kit for clamps
- C 2 ECO Pre/assembled kit for clamps with universal anchor
- C 3 Kit for hammer fixing
- C 4 Jeko® fixing for thermal insulation
- C 5 Jeko® fixing for thermal insulation on aerated concrete
- C 5 Hole cover washers
- C 6 Hanger bolt
- C 7 Rubber profile for clamp soundproofing
- C 7 Silicone rubber profile for clamps
- C 8 Galvanised threaded rod and pin
- C 8 Galvanised socket for rod connection
- C 9 Galvanised reducing bushing
- C 10 Wire welded clamp holder flange
- C 11 Wall mount flange
- C 12 Round wall mount flange
- C 13 Cast iron beam clamp "C"
- C 14 Tilttable beam clamp
- C 15 Type 0 beam clamp
- C 16 Accessories for type 0 beam clamp
- C 17 TCEI screw with cylindrical head and Allen key
- C 17 Hex head bolt
- C 18 Hexagonal nut in galvanised steel
- C 18 Galvanised washer
- C 19 Suspension ring - female thread
- C 19 Fixing rail retaining screw - wood thread
- C 20 Chains
- C 20 Double S hook
- C 21 Nail for concrete and fastening tool

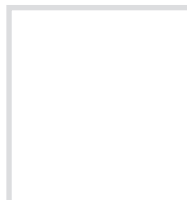
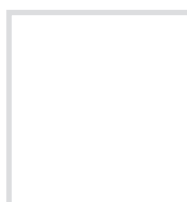
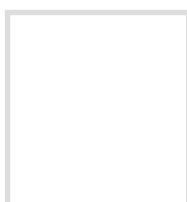
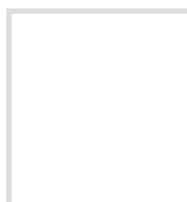
Fissaggi 01



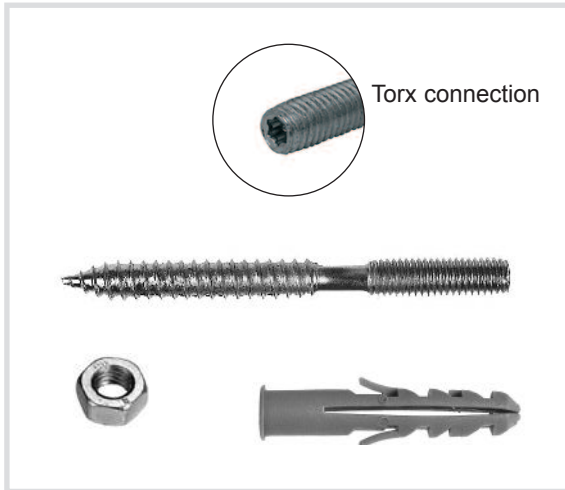
Accessori per collari Clamp Accessories



- C22 Strip for the fastening of pipes and ducts
- C22 Fabric strip
- C23 Multi-purpose strip for rail fixing
- C24 Pliers to form the strip
- C24 Fastening plate
- C25 Noise reducer
- C25 Strip fastening component holder box
- C27 Plate holder for IKS 2000®
- C27 Plates and printing for IKS 2000®
- C28 Corrugated sheets hanger VdS
- C28 Tool for fastening on corrugated sheets
- C30 Vibration damper male/male
- C30 Vibration damper male/female
- C31 Vibration damper female/female
- C31 Vibration damper cylindrical male

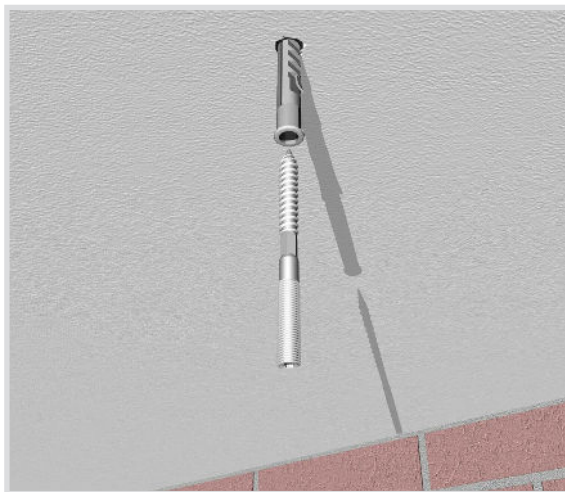


Art. 940 Kit for clamps

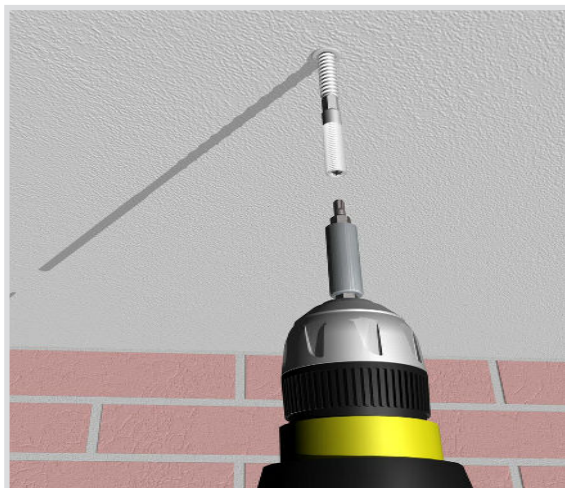


Technical specifications and advantages

- LDPE packs, 2 kits per pack
- Kit consisting of no. 1 hanger bolt, no. 1 anchor, no. 1 nut
- Hanger bolt: galvanised steel with torx for perfect adjustment with a screwdriver
- Anchor: Grey HDPE
- The hexagonal part allows for fine adjustment



Code	Tax (Ø x L) [mm]	Hanger bolt [mm]	Nut
940008	10 x 60	M8 x 90	8MA
940158	10 x 60	M8 x 150	8MA
940188	10 x 60	M8 x 180	8MA
940208	10 x 60	M8 x 200	8MA
940010	12 x 60	M10 x 120	10MA



Art. 94019x ECO Pre/assembled kit for clamps with universal anchor



Technical specifications and advantages

- ECO Pre-assembled kit composed of no. 1 hanger bolt, no. 1 anchor in grey HDPE, no. 1 nut
- Hanger bolt with torx for use with screwdriver
- The hexagonal part allows for fine adjustment
- High performance universal anchor on hollow bricks
- No waste of fastening kits
- Supplied in reusable cardboard boxes, with no single use plastic in the packaging
- For a 100% green fixing solution, attach our Cpiù or CIPO clamps with the ECO Kit - the collars are pre-assembled, for quicker installation and ZERO plastic waste in the packaging

Code	Material	Tax (Ø x L) [mm]	Hanger bolt [mm]	Nut
940190	Galvanised	10 x 60	M8 x 90	8MA
940191	Galvanised	12 x 60	10 x 120	10MA

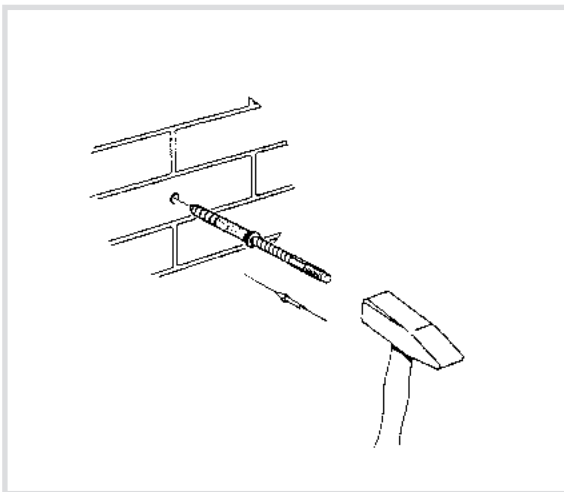


Art. 942 Kit for hammer fixing

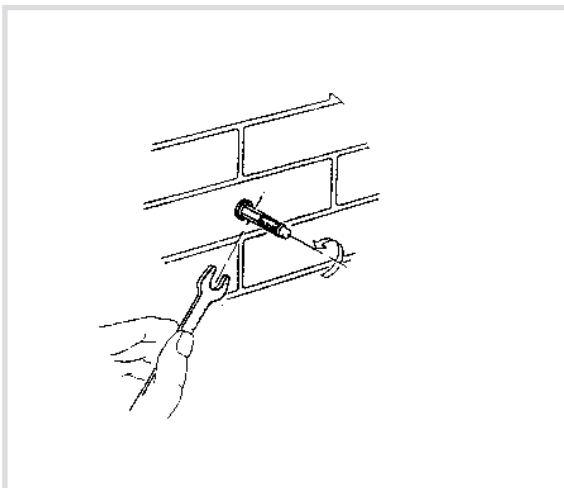


Technical specifications and advantages

- Special thread and anchor
- Pre-assembled
- The hexagonal part allows for fine adjustment
- The special head avoids damage to the thread
- Anchor in Polyamide 6, grey RAL 2003



Code	Material	Tax (Ø x L) [mm]	Tie rod [mm]	Nut
942008	Galvanised	10 x 50	M8 x 80	8MA
942010	Galvanised	10 x 50	M8 x 100	8MA



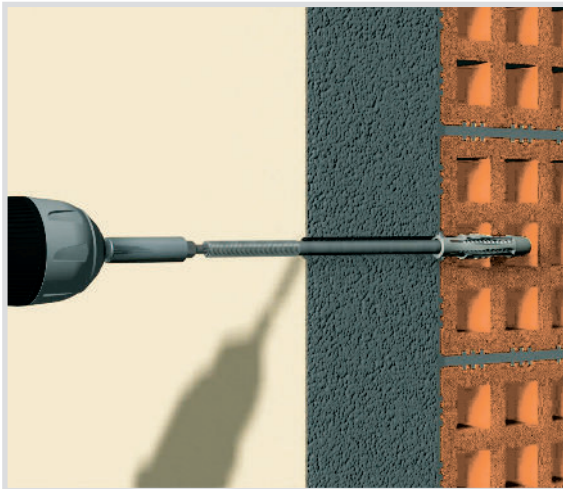
Art. 948 Jeko® fixing for thermal insulation



Technical specifications and advantages

- LDPE packs, 2 kits per pack
- Kit consisting of no. 1 tie rod, no. 1 anchor, no. 1 nut
- Galvanised steel tie rod with torx
- For perforated and solid walls

Code	Nut	Tie rod [mm]	Tax [mm]
948098	M8	M8 x 90	10 x 60
948128	M8	M8 x 120	10 x 60
948158	M8	M8 x 150	10 x 60
948188	M8	M8 x 180	10 x 60
948208	M8	M8 x 200	10 x 60
948120	M10	M10 x 120	12 x 60
948180	M10	M10 x 180	12 x 60
948200	M10	M10 x 200	12 x 60



Art. 949 Jeko® fixing for thermal insulation on aerated concrete



Technical specifications

- LDPE packs, 2 kits per pack
- Kit consisting of no. 1 tie rod, no. 1 anchor, no. 1 nut
- Galvanised steel tie rod with torx
- For gas beton

Code	Tie rod [mm]	Tax [mm]
949188	M8 x 180	8 x 38
949208	M8 x 200	8 x 60
949180	M10 x 180	10 x 60
949200	M10 x 200	10 x 60

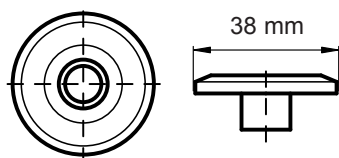
Art. 160 Hole cover washers



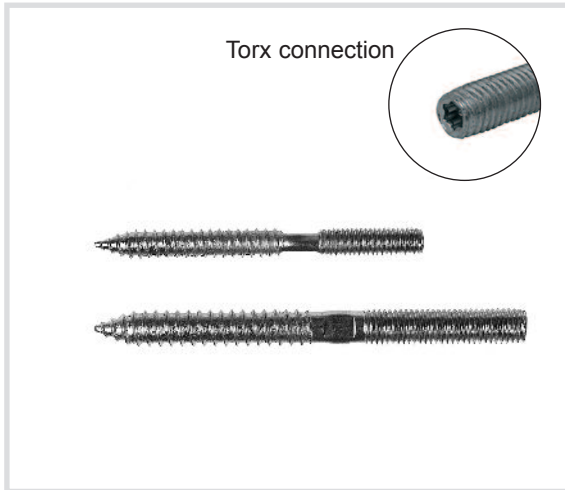
Technical specifications

- To cover the hole in the wall
- Material: HDPE, white

Code	Measurements Ø [mm]
160008	8,5 x 38 x 18
160010	10,5 x 38 x 18

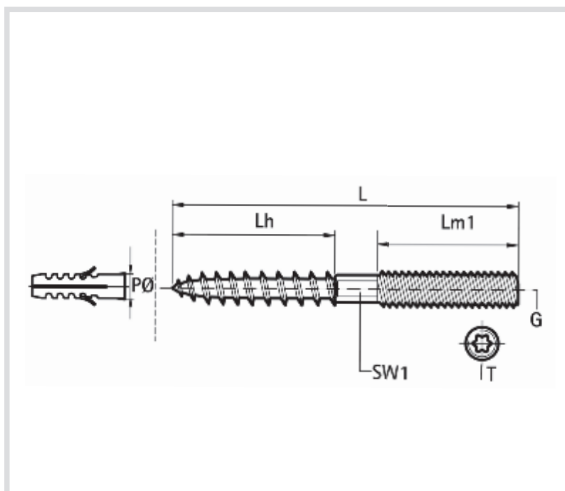


Art. 835 Hanger bolt

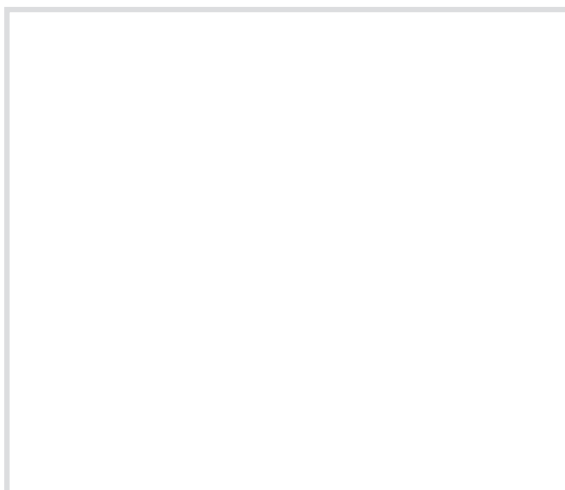


Technical specifications and advantages

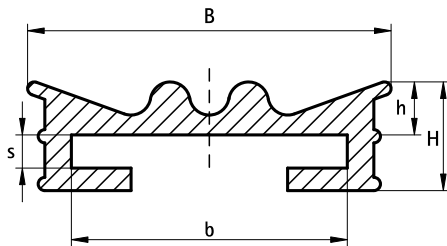
- Material: steel
- Galvanised white
- With torx
- With hexagon for fine adjustment



Codice	Measurements Ø	Length [mm]	Lh [mm]	Lm1 [mm]	SW1 [mm]
835006	M6	80	30	30	-
835008	M8	90	35	35	6
835128	M8	120	50	40	6
835158	M8	150	50	50	6
835188	M8	180	60	40	6
835208	M8	200	50	50	6
835010	M10	120	50	40	8
835014	M10	140	50	40	8
835018	M10	180	55	60	8
835023	M10	230	55	40	8
835222	M12	120	60	35	10



Art. 8840 Rubber profile for clamp soundproofing

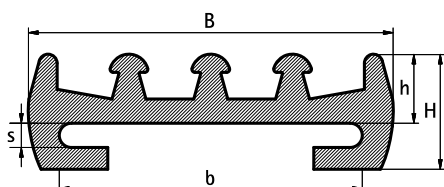


Technical specifications and advantages

- Extruded profile
- Noise insulation according to DIN 4109
- EPDM rubber resistant to ageing
- Free from chlorine and derivatives
- Resistant to ozone, UV, atmospheric agents, sea water
- Colour: Black
- Hardness 45 ± 5 Shore A
- Temperature resistance from -50° to $+110^{\circ}\text{C}$

Code	L (m)	B (mm)	H (mm)	h (mm)	b x s (mm)
8840204	180	26	8,0	4,0	20 x 1,5
8840254	140	31	8,5	4,0	25 x 3,0
8840304	140	47	10,5	4,0	30 x 3,0
8840404	25	47	10,5	4,0	40 x 4,0
8850505	25	53	11,5	4,0	50 x 5,0

Art. 0845 Silicone rubber profile for clamps

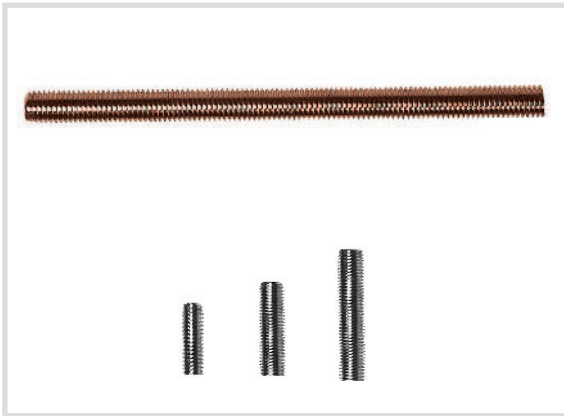


Technical specifications and advantages

- Extruded profile
- Noise insulation according to DIN 4109
- Material: silicone rubber, red, ageing resistant
- Free from chlorine and derivatives
- Resistant to ozone, UV, atmospheric agents, sea water
- Hardness 45 ± 5 Shore A
- Temperature resistance up to 200°C

Code	L (m)	B (mm)	H (mm)	h (mm)	b x s (mm)
0845205	30	25,0	7,5	4,0	20 x 1,5
0845255	50	30,0	9,5	5,5	25 x 2,0
0845304	50	35,4	8,7	4,0	30 x 3,0

Art. 611 Galvanised threaded rod and pin



Technical specifications and advantages

- Made with steel according to DIN 976-1
- Galvanised

Code	Measurements Ø x Length [mm]	Codice	Measurements Ø x Length [mm]
611006	M6 x 1000	611825	M8 x 25
611008	M8 x 1000	611840	M8 x 40
611208	M8 x 2000	611800	M8 x 100
611308	M8 x 3000	611025	M10 x 25
611010	M10 x 1000	611040	M10 x 40
611210	M10 x 2000	611000	M10 x 100
611310	M10 x 3000		
611012	M12 x 1000		
611212	M12 x 2000		
611312	M12 x 3000		
611016	M16 x 1000		
611216	M16 x 2000		

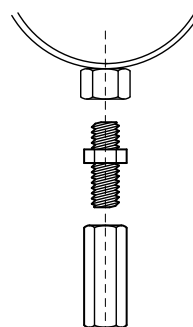
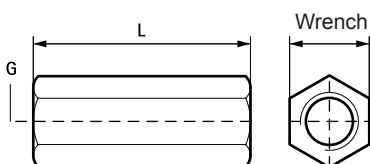
Art. 612 Galvanised socket for rod connection



Technical specifications and advantages

- Material: galvanised steel

Code	Measurements Ø	Length [mm]	Wrench [mm]
612006	M6	25	10
612008	M8	30	11
612010	M10	30	13
612012	M12	40	17
612016	M16	48	24
612020	M20	60	30
612810	M8/M10	25	13



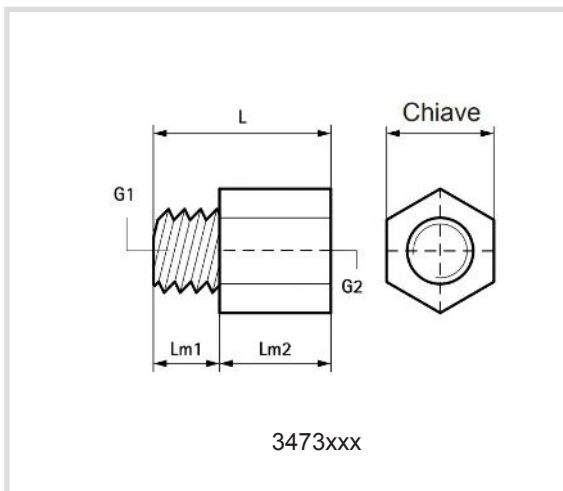
Art. 3473/3472 Galvanised reducing bushing



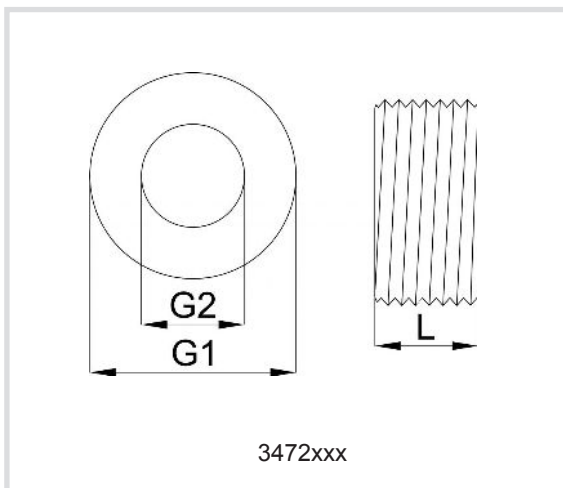
Technical specifications and advantages

- To modify the thread in the connection of clamps, threaded rods, etc.
- Material: steel
- Galvanised
- Tested for fire resistance

Code	G1xG2 [mm]	Lm1xLm2 [mm]	LxWrench [mm]
3473008	Male M6xM8 Fem.	7 x 12	19 x 13
3473206	Male M8xM6 Fem.	8 x 12	20 x 13
3473210	Male M8xM10 Fem.	6,5 x 13	19,5 x 13
3473212	Male M8xM12 Fem.	8 x 15	23 x 17
3473221	Male M8xM12 Fem.	8 x 22	30 x 27
3473308	Male M10xM8 Fem.	8 x 13	21 x 13
3473312	Male M10xM12 Fem.	10 x 15	25 x 17
3473316	Male M10xM16 Fem.	10 x 22	32 x 24
3473321	Male M10x1/2 Fem.	10 x 21	31 x 27
3473408	Male M12xM8 Fem.	10 x 13	23 x 13
3473410	Male M12xM10 Fem.	10 x 13	23 x 13
3473416	Male M12xM16 Fem.	10 x 22	32 x 24
3473510	Male M16xM10 Fem.	14 x 18	32 x 19
3473512	Male M16xM12 Fem.	14 x 18	32 x 19
3473521	Male 1/2xM16 Fem.	15 x 15	-



Code	G1 x G2 [mm]	L [mm]
3472208	1/2 x 8MA	10
3472210	1/2 x 10MA	10
3472212	1/2 x 12MA	10
3472216	1/2 x 16MA	10

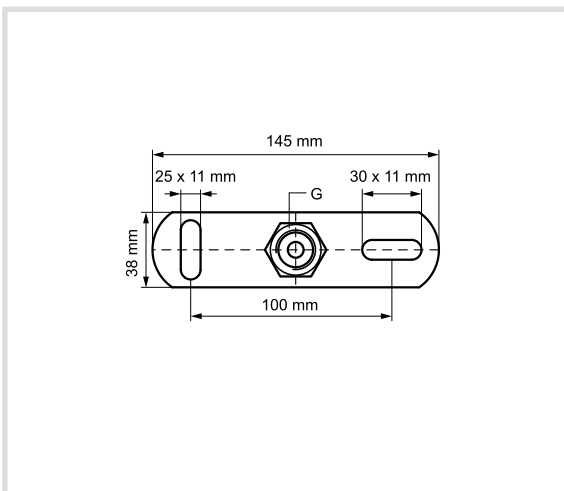


Art. 6246 Wire welded clamp holder flange

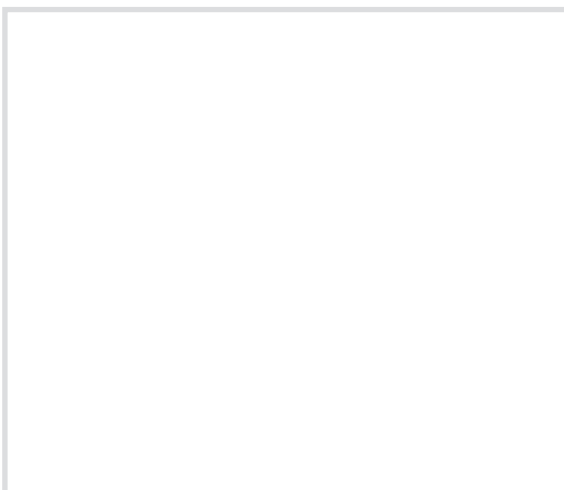


Technical specifications and advantages

- Material: steel
- Galvanised
- 90° slots to simplify assembly
- With CO₂ welding of the nut



Code	G	H [mm]	Payload [N]
624612	M12 Nut	14	6000
624616	M16 Nut	17	6000
624606	1/2 Sleeve	19	6000
624607	1" Sleeve	24	6000

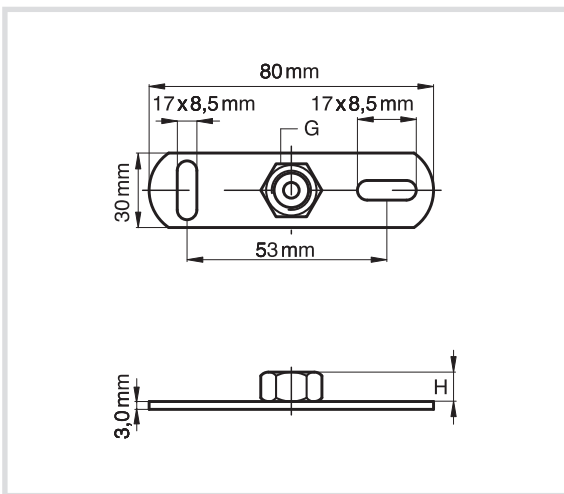


Art. 624 Wall mount flange

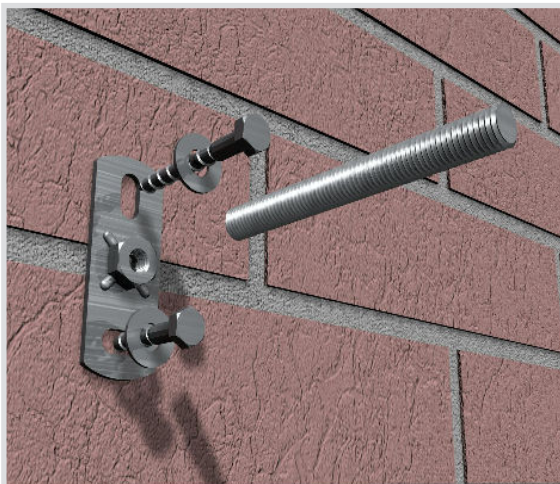


Technical specifications and advantages

- Material: steel
- Galvanised
- 90° slots to simplify assembly



Code	G	L [mm]	H [mm]	Payload [N]
624001	1/2 socket 1/2	80	16	3800
624003	M10 Nut	80	10	2500
624005	M8 Nut	80	7	2500

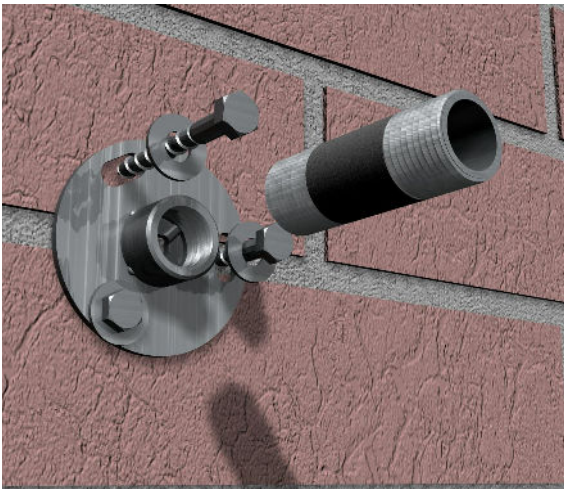


Art. 6245 Round wall mount flange

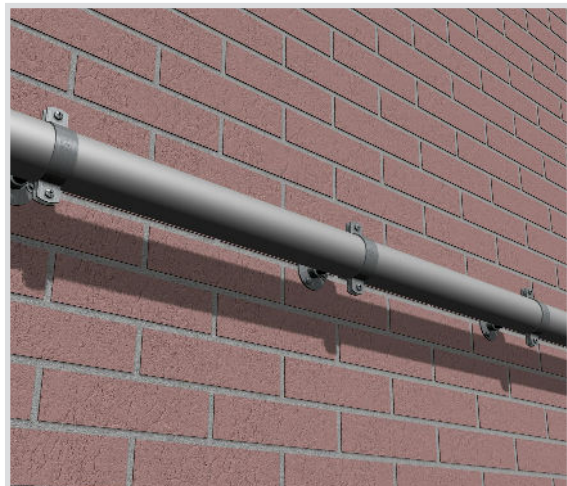
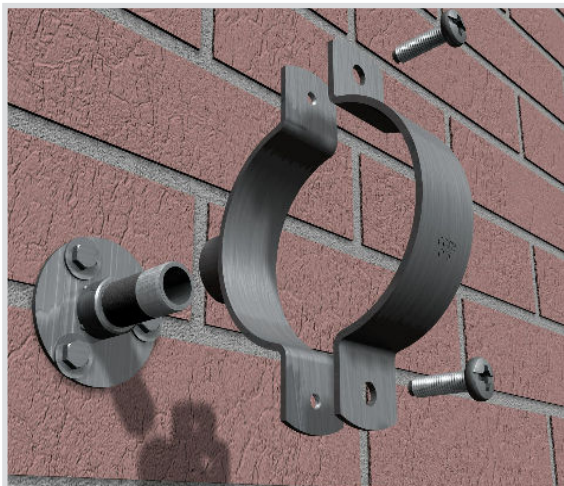


Technical specifications and advantages

- Material: steel
- Galvanised



Code	Measurements [mm]	Ø	Dimensions Flange [mm]	Slots [mm]	Payload [N]
624501	1/2 socket 1/2		Ø 70 x 2	17 x 8,5	2500

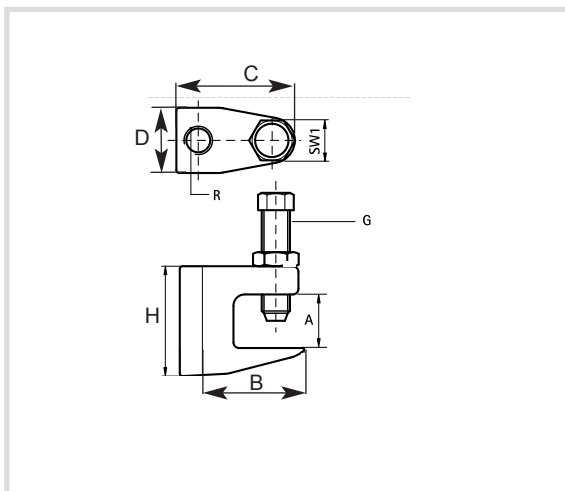


Art. 982 Cast iron beam clamp "C"

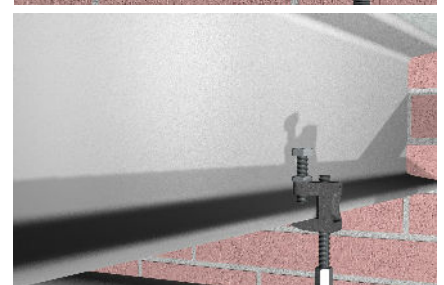
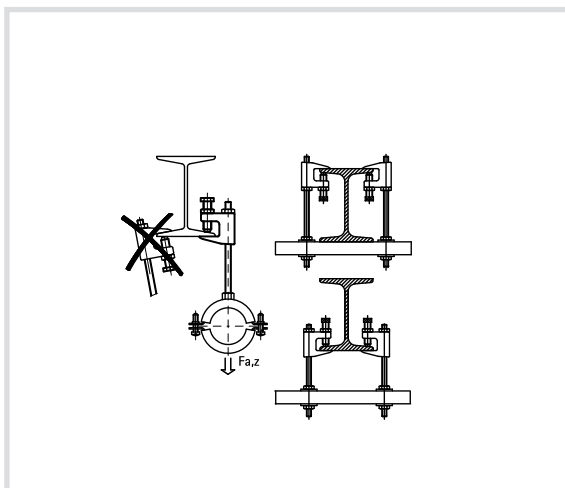


Technical specifications and advantages

- Certificate
- For solid fastening to steel structures without welding or drilling
- Bolt with hexagonal head according to the DIN933, class 8.8, pointed screw with ring according to EN ISO 4753
- Hardened steel screw with hexagonal head, cone point, DIN 439 hexagonal nut, galvanised
- Material: clamp in cast iron, screw in hardened steel, nut in galvanised steel



Code	A [mm]	C [mm]	R	G	B [mm]	H [mm]	D [mm]	Payload [N]
982008	18	38	M8	M8	21	35	19	1200
982010	20	44	M10	M10	23	42	21	2500
982012	26	58	M12	M10	32	54	23,5	3500
982016	28	58	M16	M12	26	58	29,5	5500
982908	18	38	9mm	M8	21	35	19	1200
982910	20	44	11mm	M10	23	42	21	2500
982912	26	58	13mm	M10	32	54	23,5	3500

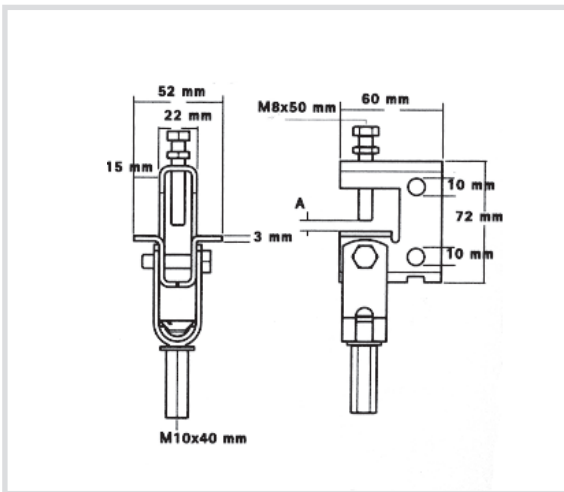


Art. 988000 Tiltable beam clamp

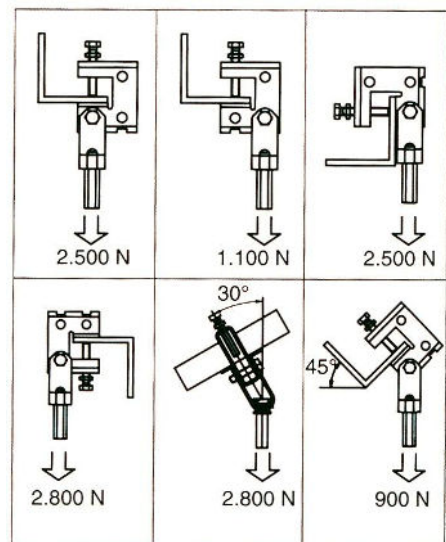
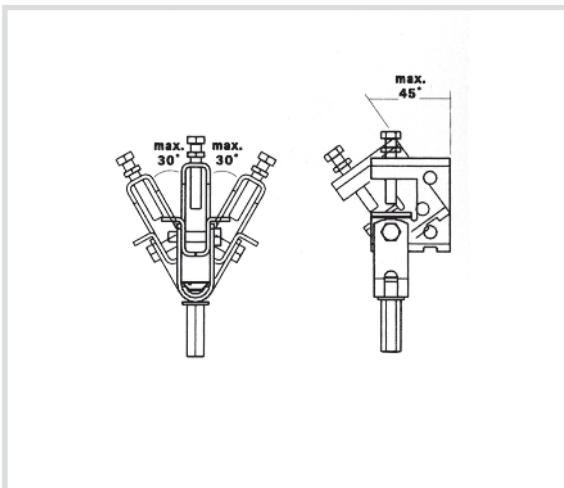


Technical specifications and advantages

- Clamp for beams with variable inclination
- Material: steel
- Surface finish: zinc flake
- Maximum clip opening: 24 mm



Code	Female thread
988000	M10 x 40 mm

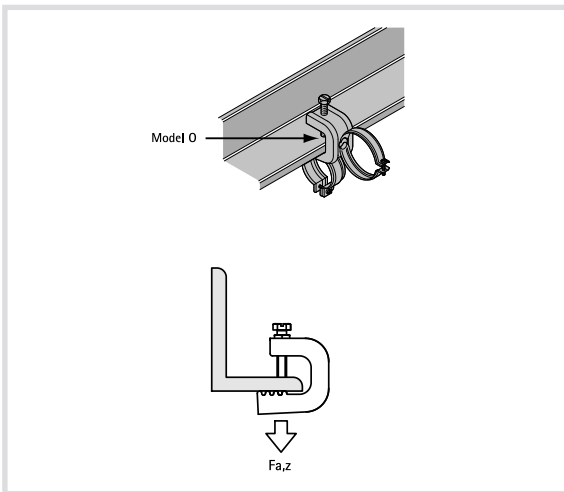


Art. 9800 Type O beam clamp

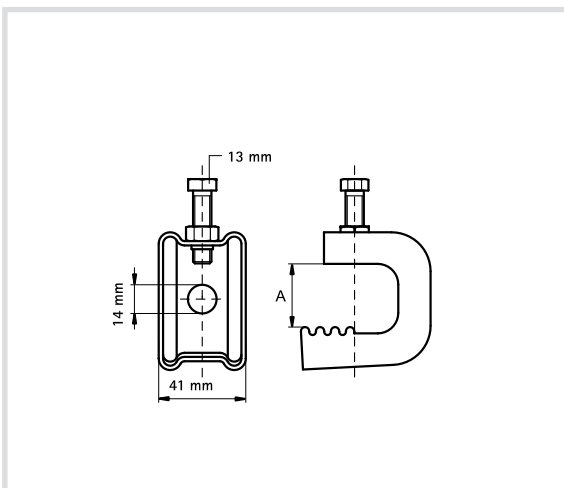


Technical specifications and advantages

- For solid fastening to steel structures without welding or drilling
- Up to beam thickness of 45 mm
- With hole for the fastening of specific clamps (code 9802xx), threaded rods or S-hooks
- With retaining screw to increase safety
- Material: steel
- Surface treatment: zinc flake



Code	A [mm]	Payload [N]
980020	≤ 20	1100
980030	≤ 30	1200
980045	≤ 45	1300

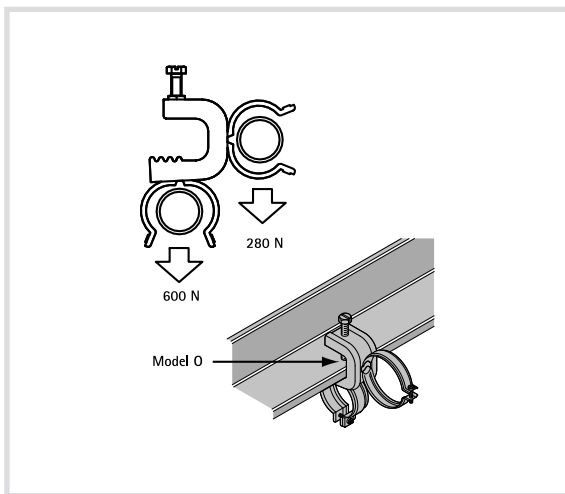


Art. 9801/9802 Accessories for type O beam clamp

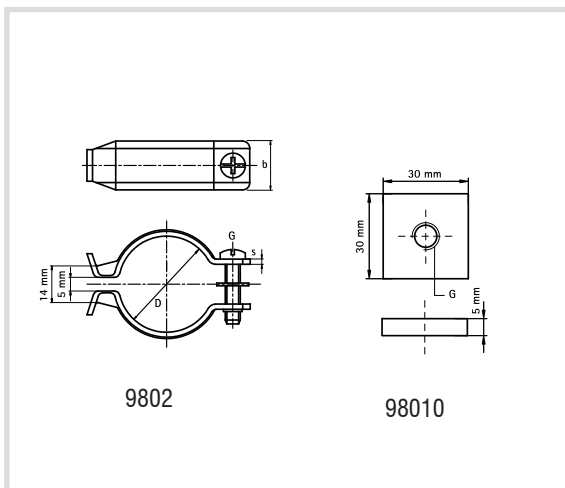


Technical specifications

- Item 9802xx: for the fastening of pipes or cables to the type O clamp
- Item 9801xx: for the fastening of threaded rods to the type O clamp
- Clamps and square nut material: steel, superficially treated with zinc flake
- Protective cap material: PP (Polypropylene), black



Code	D [mm]	G	b x s [mm]
980220	16,0 - 20,0	M5	16 x 1,5
980225	20,4 - 25,0	M5	16 x 1,5
980231	26,9 - 31,8	M5	16 x 1,5
980238	33,7 - 38,0	M6	20 x 1,5
980244	40,0 - 44,5	M6	20 x 1,5
980251	47,0 - 51,0	M6	20 x 1,5
980263	59,2 - 63,5	M6	20 x 1,5
980106	Square nut	M6	
980108	Square nut	M8	
980111	Protective cap		



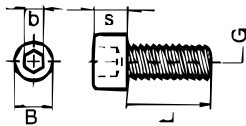
Art. 905 TCEI screw with cylindrical head and Allen key



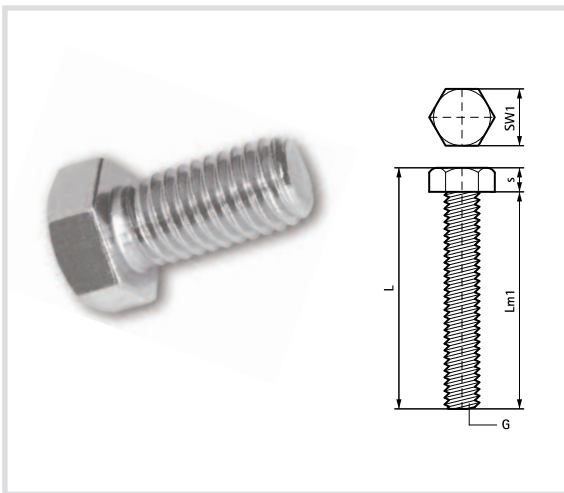
Technical specifications

- Material: steel
- Galvanised

Code	G	Length [mm]
905158	M8	20
905258	M8	25
905358	M8	35



Art. 903 Hex head bolt



Technical specifications and advantages

- Made with 1.0332 galvanised steel

Code	G	L [mm]	s [mm]	Lm1 [mm]	Sw1 [mm]
903820	M8	25,3	5,3	20	13
903825	M8	30,3	5,3	25	13
903835	M8	40,3	5,3	35	13
903860	M8	65,3	5,3	60	13
903865	M8	75,3	5,3	65	13
903920	M10	26,4	6,4	20	17
903925	M10	31,4	6,4	25	17
903930	M10	36,1	6,4	30	17
903935	M10	41,1	6,4	35	17
903960	M10	66,1	6,0	60	17
903965	M10	71,1	6,4	65	17
9031230	M12	37,5	7,5	30	19
9031260	M12	67,5	7,5	60	19
9031265	M12	72,5	7,5	65	19
9031280	M12	87,5	7,5	80	19

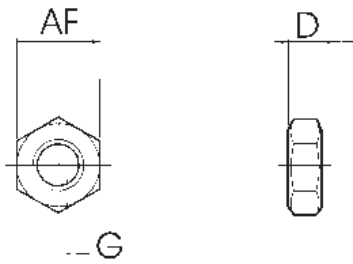
Art. 825 Hexagonal nut in galvanised steel



Technical specifications

- According to UNI 5588 - DIN 934
- Galvanised

Code	G	D [mm]	AF [mm]
825006	6MA	5,0	10
825008	8MA	6,5	13
825010	10MA	8,0	17
825012	12MA	10,0	19
825016	16MA	14,8	24



Art. 9010 Galvanised washer



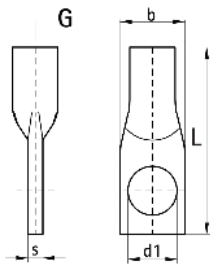
Technical specifications

- Material: 1.0332 steel
- Galvanised

Code	Hole/screw Ø [mm]	B [mm]	H [mm]
901006	6,5	24	1,6
901008	8,5	24	1,6
901010	10,5	30	2,0
901012	12,5	30	2,5



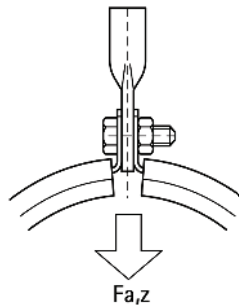
Art. 6803 Suspension ring - Female thread



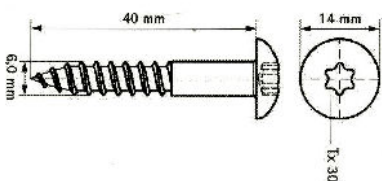
Technical specifications

- Material: steel
- Galvanised

Code	G	L [mm]	b x s [mm]	d1 [mm]	Payload [N]
6803008	M8	45	13,5 x 3,5	Ø 8,5	2580
6803010	M10	50	17,0 x 4,0	Ø 10,5	3540
6803012	M12	55	20,5 x 5,5	Ø 10,5	7750



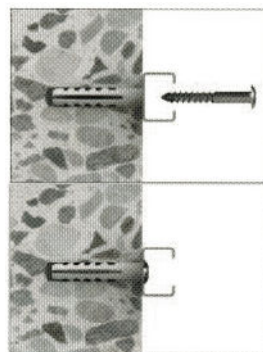
Art. 9980 Fixing rail retaining screw - Wood thread *Screw for rail fixing to wall*



Technical specifications

- Material: steel
- Galvanised
- For the attachment of CorRail fixing rails to the wall
- Head with Allen connection

Code	L [mm]	For fixing rails
9980640	40	CH0 - CH30



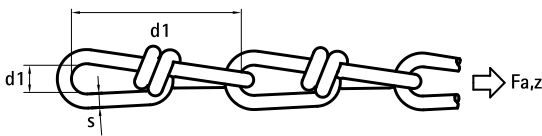
Art. 120 Chains



Technical specifications

- Material: galvanised steel

Code	L [m]	s [mm]	d1 [mm]	Payload [N]
120528	30	2,0	28x5,0	400
120635	30	2,5	35x6,0	700
120732	30	4,0	32x7,2	1100



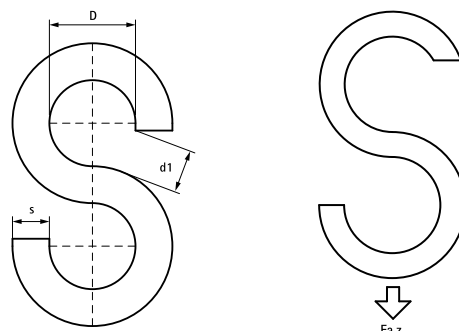
Art. 120 Double S hook



Technical specifications

- Material: galvanised steel

Code	D [mm]	s [mm]	d1 [mm]	Payload [N]
120730	7	3,0	5,0	250
120740	11	4,0	5,5	400

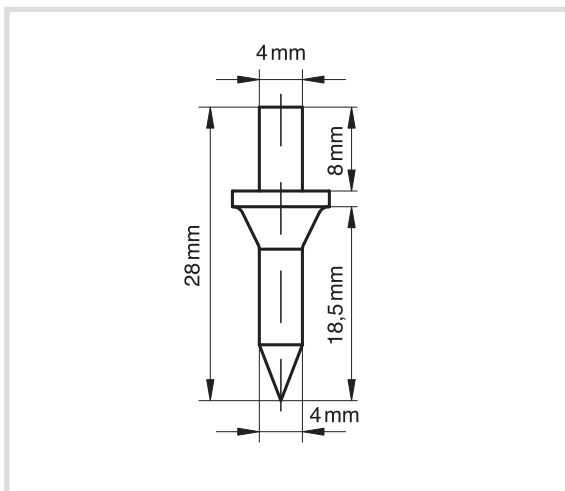


Art. 123 Nail for concrete and fastening tool

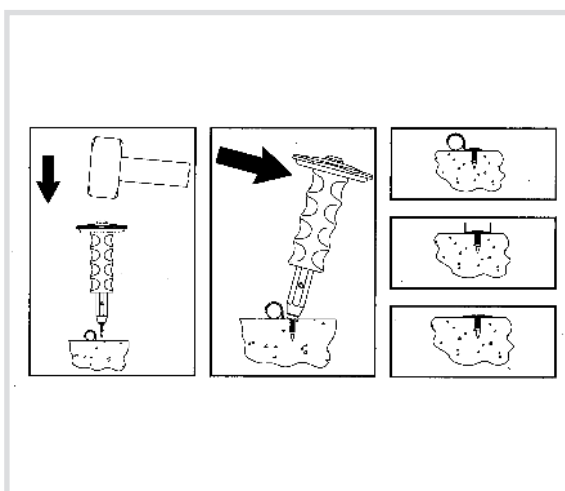


Technical specifications and advantages

- Nail made of 1.1740 steel, hardened
- The nail can be hammered into the wall without having to drill holes
- The fastener is designed to hold the nail in place while hammering
- The fastening tool has an ergonomic plastic handle



Code	Description
123001	Nail for concrete
123002	Fastening tool



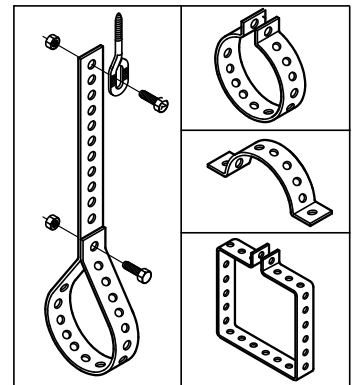
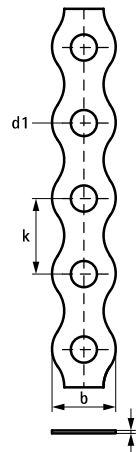
Art. 1230 Strip for the fastening of pipes and ducts



Technical specifications and advantages

- Unique and automatic locking system
- Made with 1.0332 steel

Code	L [m]	b x s [mm]	d1 [mm]	k [mm]	Payload [N]
123012	10	12 x 0,8	5	8	700
123017	10	17 x 0,8	7	12	980



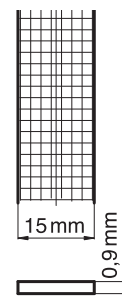
Art. 123115 Fabric strip



Technical specifications and advantages

- Material: polypropylene
- Breaking load: approx. 2500 N
- Colour: grey with black band
- Material with anti-UV additive

Code	Width x thickness [mm]	Coil length [m]
123115	15 x 0,9	15



Art. 124000 Multi-purpose strip for rail fixing

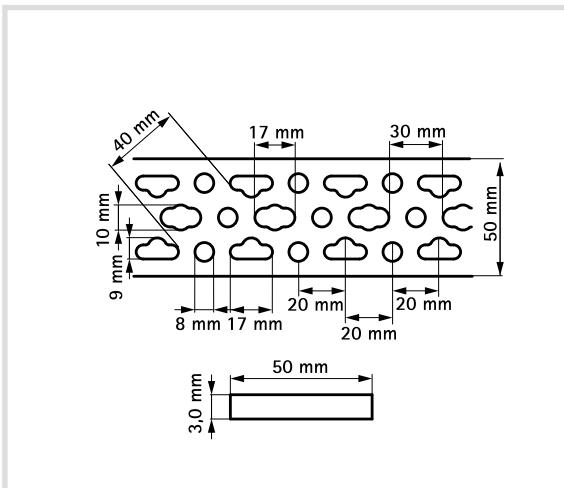


Technical specifications and advantages

- Strip with holes designed for domestic water applications
- Material: steel
- Pre-galvanised



Code	Length L [mm]	Width B [mm]	Weight [kg/m]
124000	2000	50	0,8

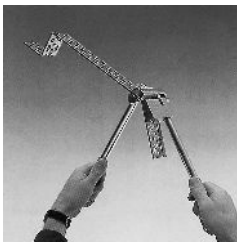


Art. 124001 Pliers to form the strip



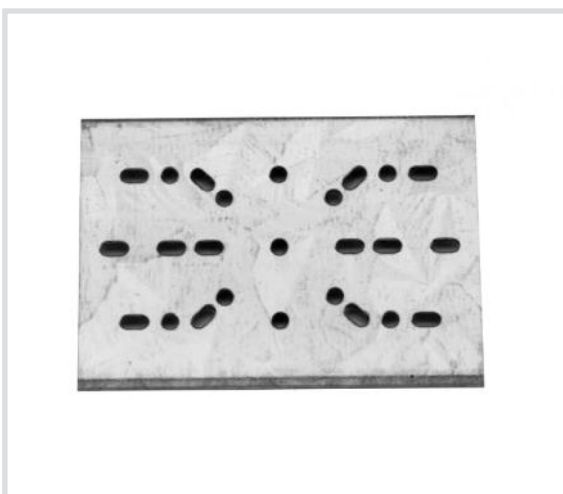
Technical specifications and advantages

- To bend and form the strip according to any required angle
- Very robust construction
- Material: galvanised steel
- Red PP handles



Code	Weight [kg]
124001	1,65

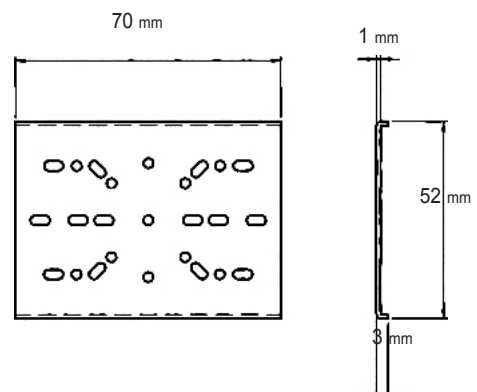
Art. 124002 Fastening plate



Technical specifications and advantages

- Material: pre-galvanised steel
- Drilled to allow positioning

Code
124002

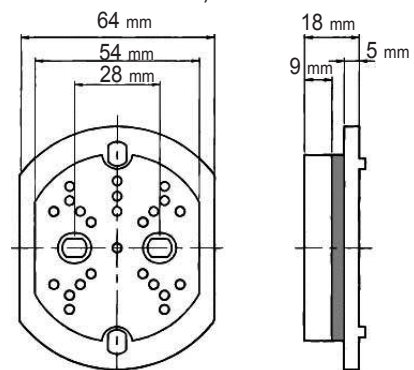


Art. 124003 Noise reducer



Technical specifications and advantages

- In ABS with EPDM
- The holes are in the same position as the fastening plate
- Noise reduction according to DIN 4109
- Avoids the transmission of noise between the fastening plate and the building structure
- Easy to assemble
- Can be fastened directly to the wall



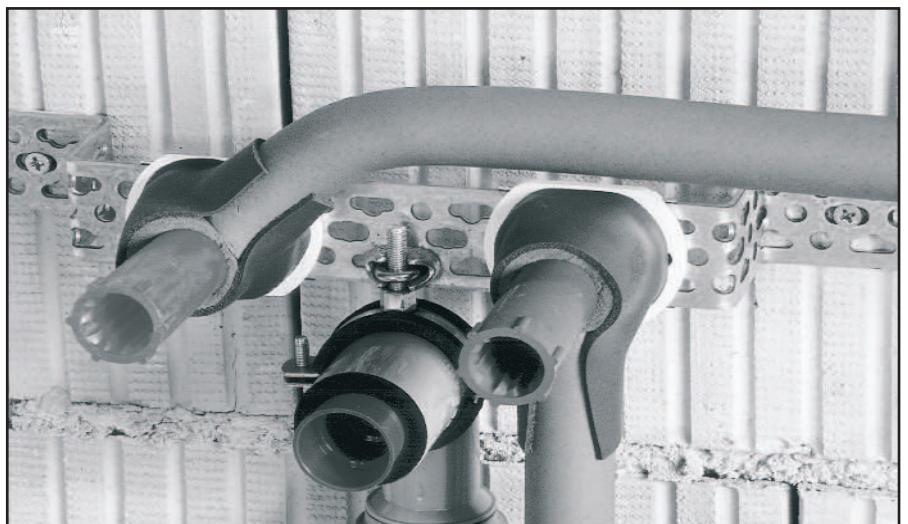
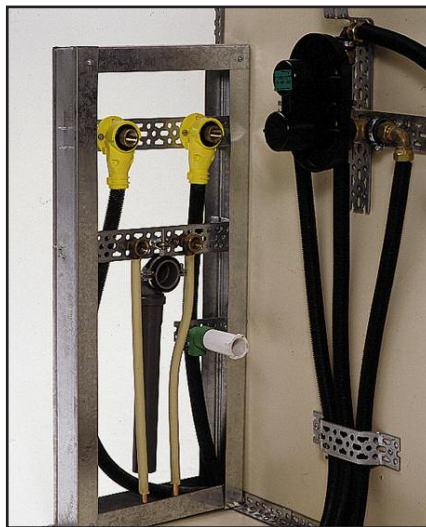
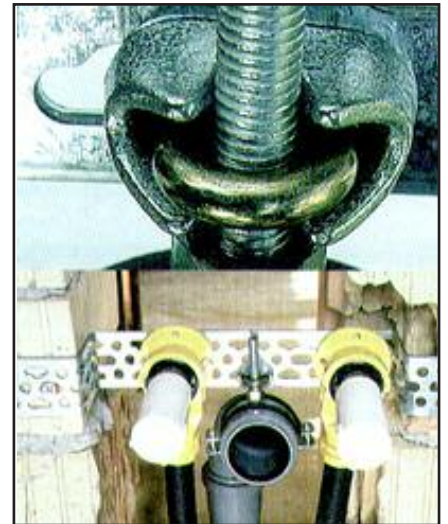
Art. 124005 Strip fastening component holder box



It contains

- no. 1 Tool for bending of the strip
- no. 10 Fastening plates
- no. 1 Noise reducer
- no. 2 Fastening clamps
- no. 20 Washers 8.4 x 20
- no. 10 Washers 5,3 x 20
- no. 3 M12 (external) x M8 (internal) reducers
- no. 10 M8 x 10 hex head screws
- no. 10 M8 x 16 hex head screws
- no. 10 M8 x 40 hex head screws
- no. 10 M8 x 60 hex head screws
- no. 20 M5 x 16 cylindrical head screws
- no. 20 M5 hex nuts
- no. 20 M6 hex nuts
- no. 10 M6 x 10 hex nuts
- no. 20 M8 hex nuts
- no. 20 x 4.2 x 13 pozi head self-tapping screws
- no. 20 x 4,2 x 16 pozi head self-tapping screws
- no. 20 x 4,8 x 13 pozi head self-tapping screws
- no. 20 x 4,8 x 16 pozi head self-tapping screws
- no. 20 x 4,8 x 19 pozi head self-tapping screws
- no. 20 x 4.8 x 13 hex head self-tapping screws
- no. 20 x 4.8 x 19 hex head self-tapping screws

APPLICATION EXAMPLES

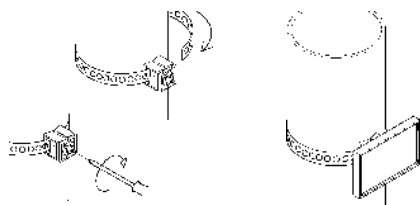


Art. 2000 Plate holder for IKS 2000®



Technical specifications and advantages

- Individual identification system
- Installed with clamp, bolt, slide nut with threaded pin (for fixing rails assembly), clamp, Velcro, screws or adhesive tape
- The plate holder can be assembled both horizontally and vertically
- Made of Polyoxymethylene (POM), temperature resistant from -15°C to 160°C
- Spacer in Polyamide 6 (nylon), temperature resistant from -40°C to 200°C



Code	Description
200000	Plate holder for stainless steel clamps
200001	AISI 316L stainless steel clamp (20 metres)

Art. 2001 Plates and printing for IKS 2000®



Technical specifications and advantages

- Can be used in combination with other identification systems
- PVC plate
- Resistant to abrasion, UV, ozone and atmospheric agents, washable
- Possibility to print logos, symbols, texts on request



Code	Plate description
200101	86 x 54 - White
200102	86 x 54 - Clear

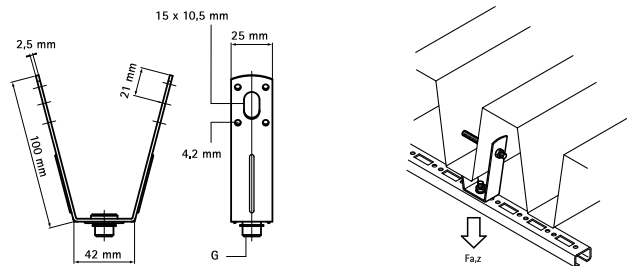
Art. 1250 Corrugated sheets hanger VdS



Technical specifications

- To assemble threaded rods to corrugated sheets using rivets
- Material: pre-galvanised steel
- VdS certificate

Code	G [mm]	Payload [N]
125013	Ø 13,0	2300
125008	M8	2300
125010	M10	2300



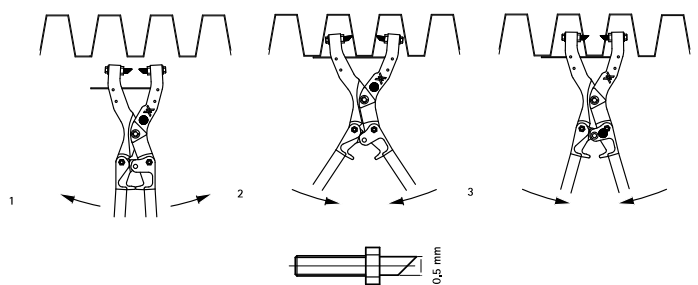
Art. 125011 Tool for fastening on corrugated sheets



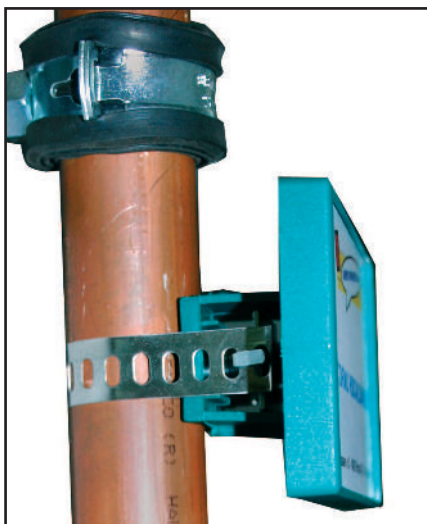
Technical specifications

- Weight approximately 3.5 kg
- Maximum opening 90 mm
- With tip Ø 10.6 mm

Code	Description
125011	Pliers
125100	Spare tip set



APPLICATION EXAMPLES



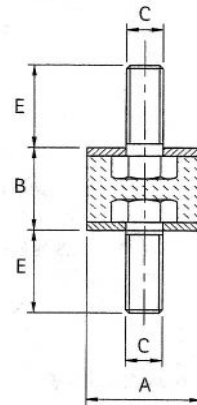
Art. 766 Vibration damper male/male



Technical specifications and advantages

- Material: NR/SBR rubber
- Hardness 60 Shore A
- Galvanised screw and washer
- Screw pressed onto the washer
- Different screw lengths on request
- Tolerance on hardness ± 5 SH

Code	Measurements \varnothing [mm]	A x B [mm]	C x E [mm]
766008	M8	40 x 30	M8 x 23
766010	M10	40 x 30	M10 x 28



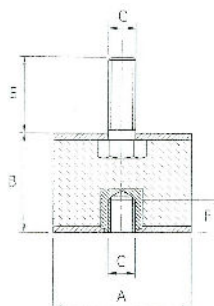
Art. 7661 Vibration damper male/female



Technical specifications and advantages

- Material: NR/SBR rubber
- Hardness 60 Shore A
- Sandblasted and galvanised washer
- Galvanised screw, blind female insert
- Different screw lengths on request. Through female insert
- Tolerance on hardness ± 5 SH

Code	Measurements \varnothing [mm]	A x B [mm]	C x E x F [mm]
766108	M8	40 x 30	M8 x 23 x 10
766110	M10	40 x 30	M8 x 28 x 10



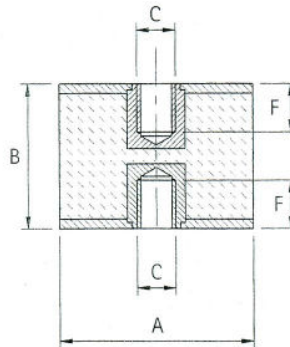
Art. 7662 Vibration damper female/female



Technical specifications and advantages

- Material: NR/SBR rubber
- Hardness 60 Shore A
- Sandblasted and galvanised washer
Blind female insert
- Through female insert
- Tolerance on hardness ± 5 SH

Code	Measurements \varnothing [mm]	A x B [mm]	C x F [mm]
766208	M8	40 x 30	M8 x 10
766210	M10	40 x 30	M10 x 10



Art. 7663 Vibration damper cylindrical male



Technical specifications and advantages

- Material: NR/SBR rubber
- Hardness 60 Shore A
- On request hardness 30SH, 45SH, 70SH
- Galvanised screw and washer
- Screw pressed onto the washer
- Different screw lengths on request
- Tolerance on hardness ± 5 SH

Code	Measurements \varnothing [mm]	A x B [mm]	C x E [mm]
766308	M8	40 x 20	M8 x 23
766310	M10	50 x 30	M10 x 28

