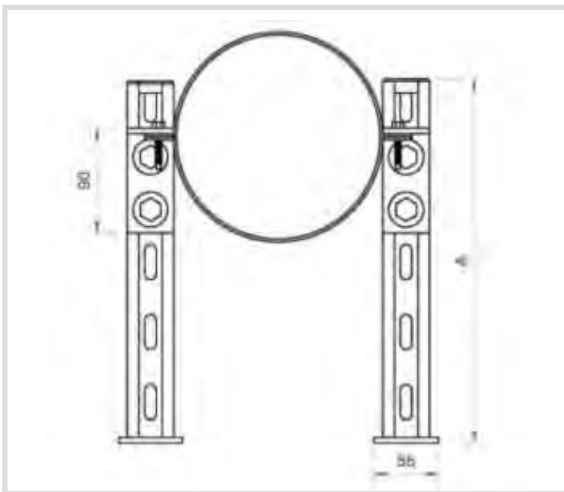


Art. 976X Downpipe bracket - AISI 304

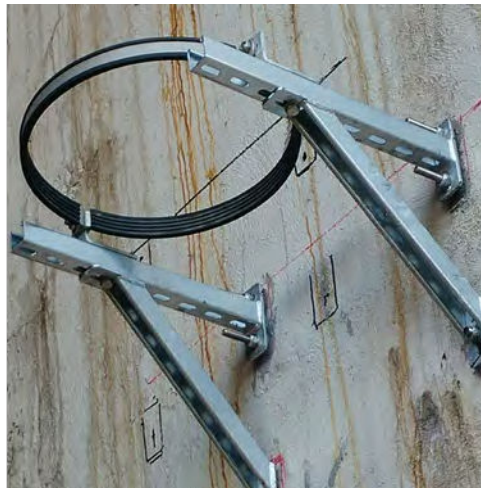
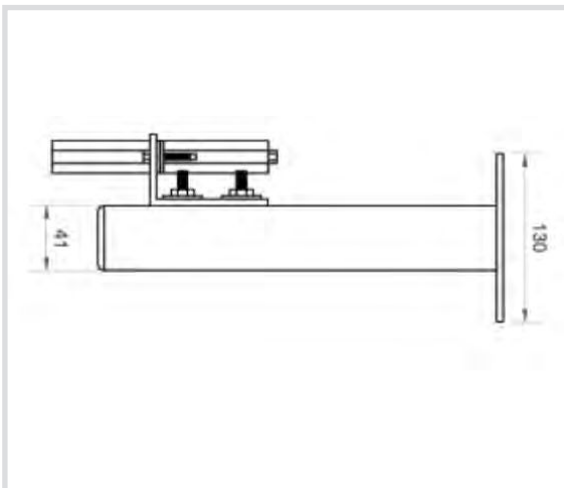


Technical specifications and advantages

- Possibility of adjusting the distance
- It is possible to insert bracing to increase the axial resistance
- In stainless steel AISI 304, on request AISI 316
- Components for standard pipe bracket:
2 CorSTRUT cantilever arms, 2 special 90° angle brackets, 1 heavy collar
- A heavy clamp may be sufficient as the structure has a guiding function
- Clamp, with or without rubber, not included in the package



Code	A [mm]
976X300	300
976X450	450
976X600	600



SPECIFICATION ITEM
Supply and installation of industrial pipe brackets with adjustable distance from the wall for vertical pipes with the possibility of inserting bracing to increase their resistance if necessary, made of stainless steel, with all the relative fastening components, of the 976X pipe bracket Corh type.