

Fissaggi 01



Fixed point and expansion components

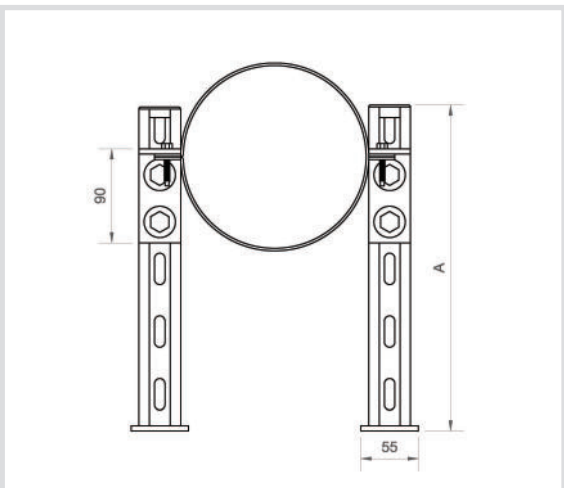
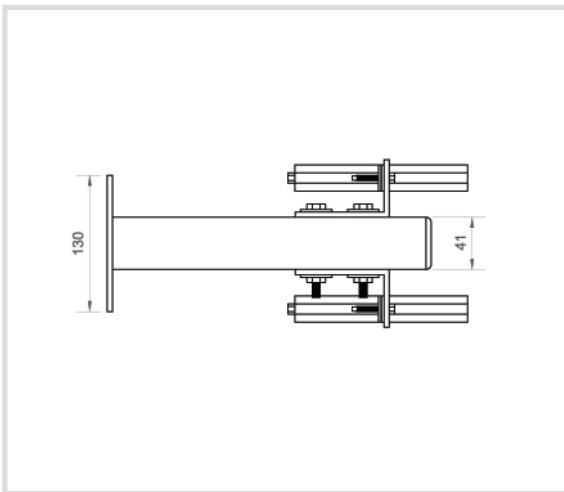
975  H 1	972000  H 2	970  H 3	971  H 4
974  H 5	973  H 6	981  H 7	981116  H 8
983300  H 8	980300  H 8	980  H 9	983  H 10
993  H 11	996  H 12	9964  H 13	995  H 14
997  H 15	9975  H 15		

Fixed point and expansion components

- H 1 CORH PFM2 - Fixed point on cantilever arm
- H 2 Corh PFP - Fixed point on CorSTRUT fixing rail
- H 3 Fixed point assembled kit (up to 2")
- H 4 Fixed point assembled kit (for pipes >2")
- H 5 Ball swivel hanger
- H 6 Expansion joint
- H 7 Heavy load sliding saddle
- H 8 Sliding saddle without bracket – extra heavy loads
- H 8 Sliding saddle with bracket – medium loads
- H 8 Sliding saddle without bracket – medium loads
- H 9 Sliding saddle
- H 10 Sliding saddle with fixing rail attachment bracket
- H 11 Pipe rollers with protection and assembly support - Iron pipes
- H 12 Pipe rollers with assembly support
- H 13 Pipe rollers on suspended support - Light loads
- H 14 Pipe rollers on suspended support - Heavy loads
- H 15 Rollers for saddle
- H 15 Saddle for rollers 997



Art. 975 CORH PFM2 - Fixed point on cantilever arm



Technical specifications and advantages

- Ideal solution for pipes subject to significant contractions and/or expansions
- Suitable for all types of fixed point, both with horizontal and vertical pipe
- Possibility of adjusting the distance
- In galvanised steel
- Components for standard fixed point: 2 cantilever arms, 4 special 90° angle brackets, 2 heavy clamps
- On downpipes it may be sufficient to use 1 clamp, instead of 2, as a guide
- It is possible to insert bracing to increase the axial resistance
- The clamps are not included in the package

Code	A (mm)	Payload (N)
975200	200	2300
975300	300	2300
975450	450	2300
975600	600	2300



SPECIFICATION ITEM

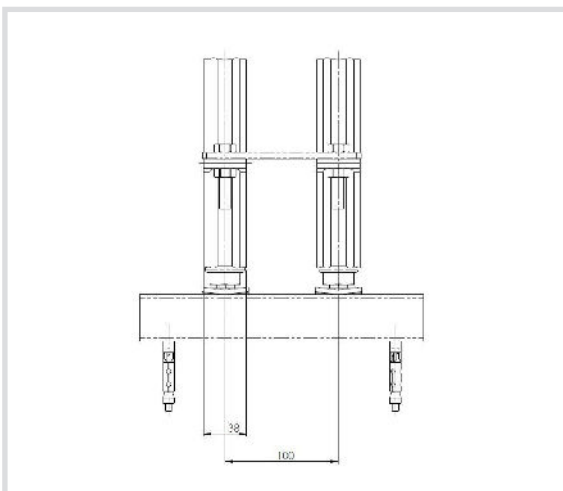
Supply and installation of brackets with fixed point for pipes subject to thermal expansion on cantilever arm with distance adjustment for both horizontal and vertical pipes, in S235JR steel, with all the relative fastening components.

Art. 972000 Corh PFP - Fixed point on CorSTRUT fixingrail

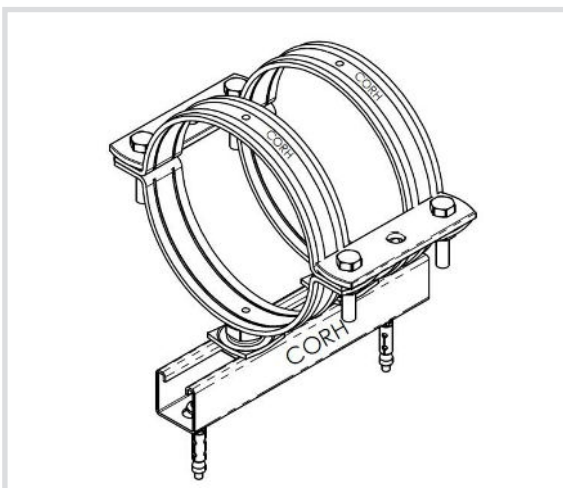


Technical specifications and advantages

- Ideal solution for pipes subject to significant contractions and/or expansions
- Suitable for all types of fixed point on fixing rail with guide 41, both with horizontal and vertical pipe
- In galvanised steel, on request also in stainless steel
- One pack includes: 2 straight connections, 2 slide nuts and relative fixing screws



Codice	For fixing rail
972000	CorSTRUT



SPECIFICATION ITEM

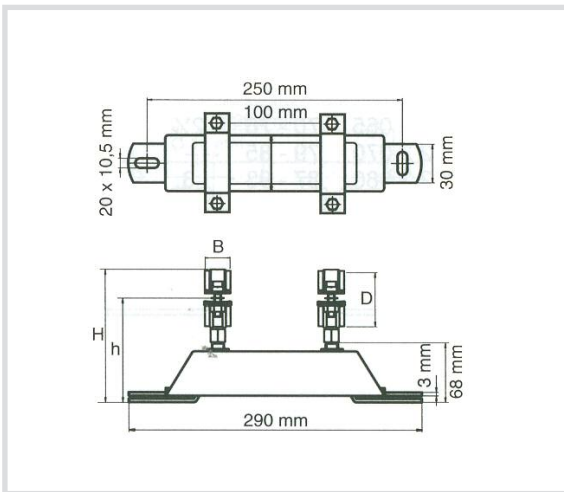
Supply and installation of brackets with fixed point for pipes subject to thermal expansion on fixing rail, with straight connection, clamps and relative fastening components in S235JR steel

Art. 970 Fixed point assembled kit (up to 2")

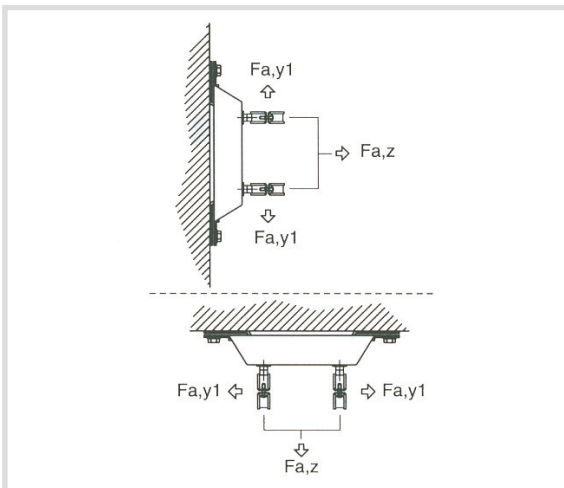


Technical specifications and advantages

- Very stable
- In galvanised steel
- Noise isolation by TPE rubber moulding
- Noise reduction according to DIN 4109
- For pipes with diameters up to 2"
- The kit consists of: 1 assembled fixed point and 2 extra heavy CORH HD clamps



Code	D (mm)	D (")	D (DN)	H (mm)	h (mm)	Fa,y1 (N)	Fa,yz (N)
970018	15-19	3/8	10	108	93	2700	3000
970021	19-23	1/2	15	112	95	2700	3000
970027	25-30	3/4	20	119	98	2700	3000
970033	30-35	1	25	131	109	2700	3000
970060	57-63	2	50	160	123	2700	3000

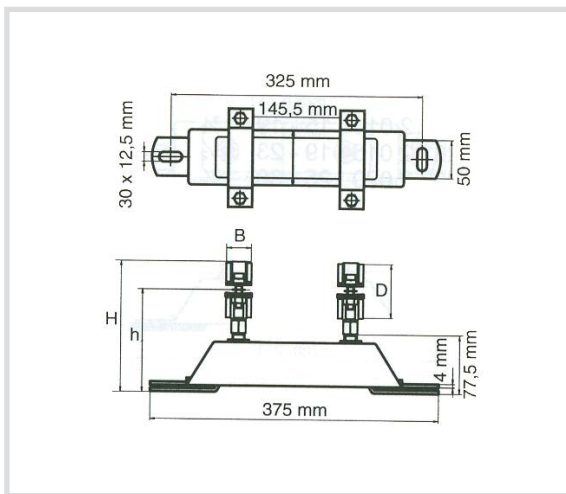


Art. 971 Fixed point assembled kit (for pipes >2")

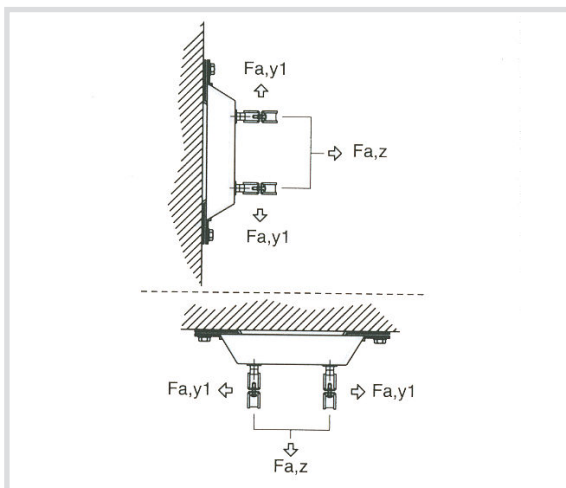


Technical specifications and advantages

- Very stable
- In galvanised steel
- Noise isolation by TPE rubber moulding
- Noise reduction according to DIN 4109
- For pipes with diameters greater than 2"
- The kit consists of: 1 assembled fixed point and 2 extra heavy CORH HD clamps



Code	D (mm)	D (")	D (DN)	H (mm)	h (mm)	Fa,y1 (N)	Fa,z (N)
971075	72-78	2 1/2	65	192	147	6600	7000
971080	79-85	-	-	240	155	6600	7000
971090	87-93	3	80	206	155	6600	7000
971110	108-116	4	-	-	-	6600	7000
971140	132-140	5	-	-	-	6600	7000
971168	159-168	6	150	284	194	6600	7000

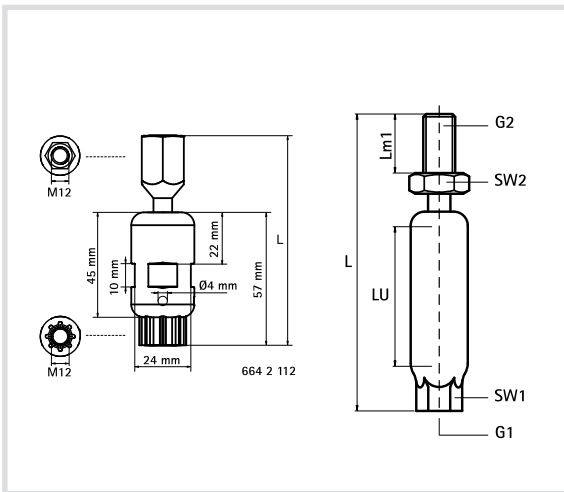


Art. 974 Ball swivel hanger

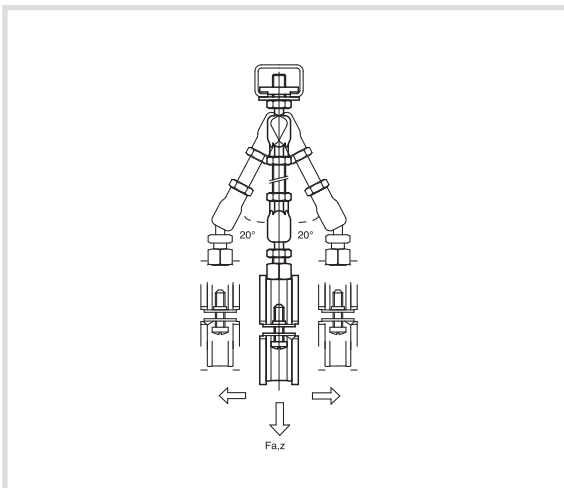


Technical specifications and advantages

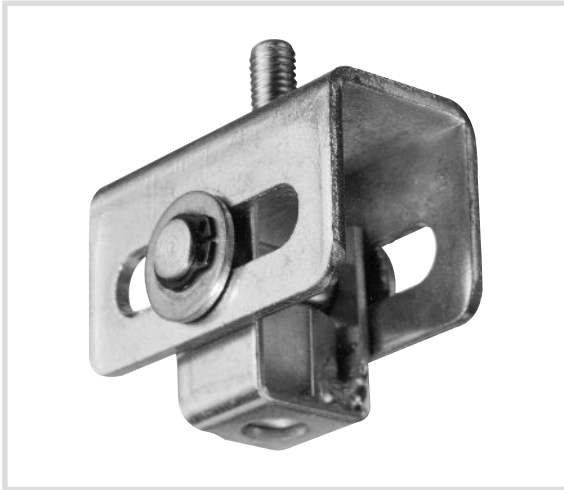
- For non-fixed fastening
- In galvanised steel
- With inspection hole to check how far a threaded rod or bolt has been screwed in
- The height can be adjusted



Code	L (mm)	G1	G2	Lm1 (mm)	SW1 (mm)	SW2 (mm)	LU (mm)	Fa,z (N)
974001	49	M8	M8	15	13	10	7	3100
974002	49	M10	M10	15	13	12	7	3100
974003	64	M10	M10	30	13	12	7	3100
974101	74	M8	M8	15	13	10	32	3100
974102	74	M10	M10	15	13	12	32	3100
974103	90	M12	M12	-	24	19	32	5000

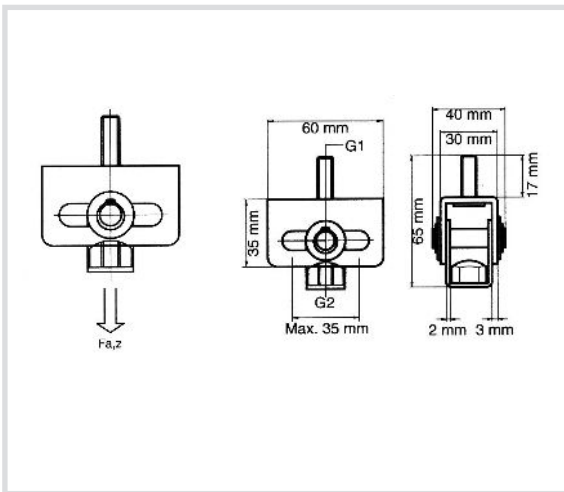


Art. 973 Expansion joint

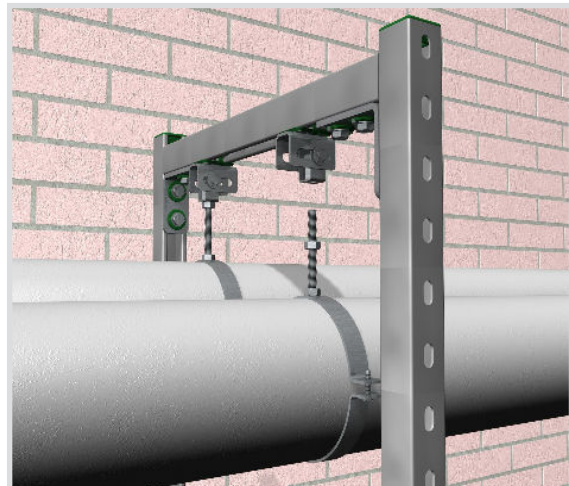
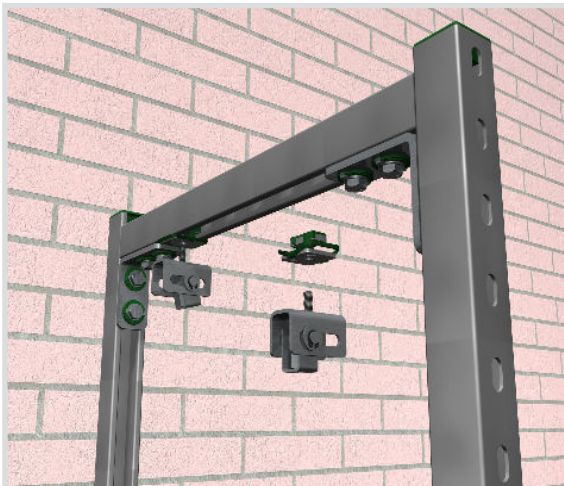


Technical specifications and advantages

- To compensate for the expansion and contraction of all types of pipes
- Can be fixed directly into the wall using a metric thread anchor or connecting it to a galvanised fixing rail using a slide nut
- Made with 1.0332 galvanised steel
- CO₂ welded nut and screw
- Maximum sliding = 35 mm



Code	G1 [mm]	G2 [mm]	Payload [N]
973008	M8	M8/M10	1500
973010	M10	M8/M10	1500

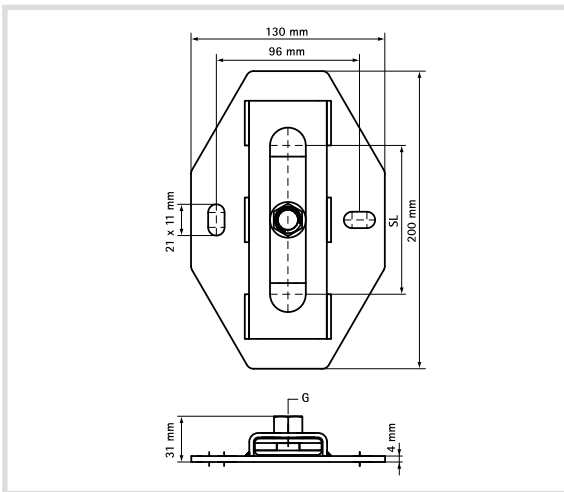


Art. 981 Heavy load sliding saddle

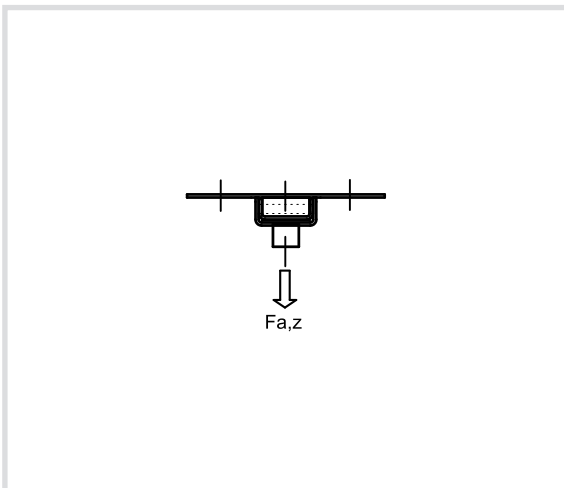


Technical specifications and advantages

- To guide linear expansions or contractions
- Friction coefficient $\mu_0=0.18$ - $\mu=0.14$
- Temperature: suitable up to 120°C
- Metal parts in galvanised steel.
 POM (Polyoxymethylene) plastic parts



Code	G	SL [mm]	Payload [N]
981001	M8/M10	max 100	3500
981002	M10/M12	max 100	4800
981003	M16	max 100	4800

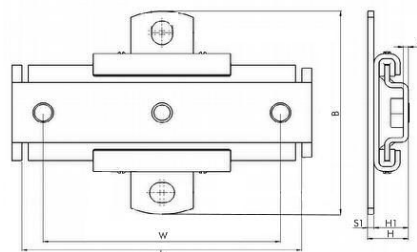


Art. 98xxx Sliding saddle without bracket – extra heavy loads

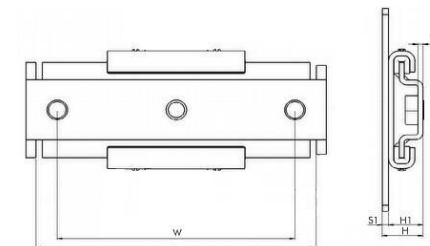


Technical specifications and advantages

- Sliding saddle for thermal expansion
- Material: steel
- Galvanised
- Polyamide sliding guide



With bracket



Without bracket

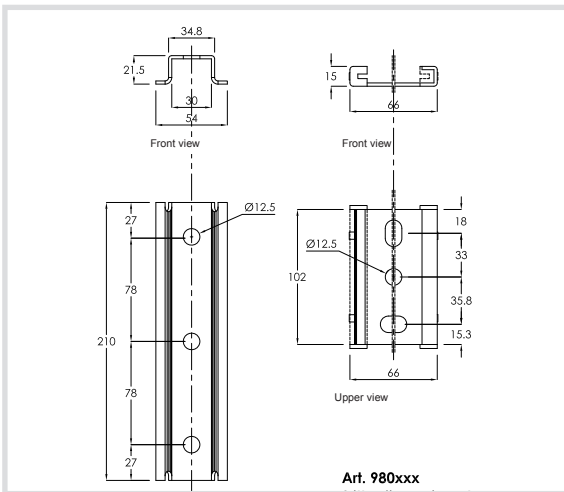
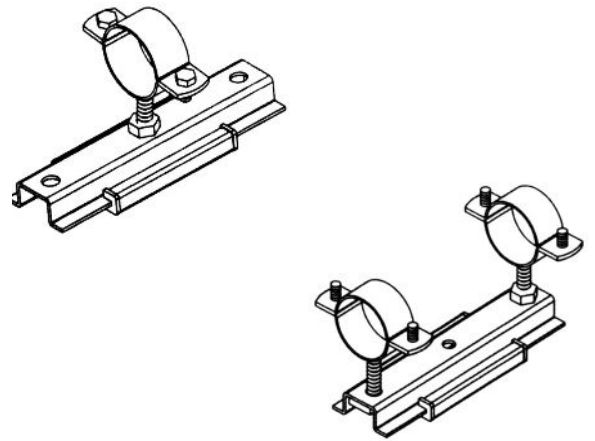
Code	Ø Holes [mm]	L [mm]	Hole spacing W [mm]	S1 [mm]	S [mm]	H1 [mm]	B [mm]	Max load with floor or ceiling fastening [mm]	Max sliding length [mm]
983300	12,5	170	154	4	2,5	-	145	1520	65
980300	12,5	170	154	-	2,5	20	-	1520	65
981116	16,5	240	224	-	4	27,5	-	5980	110

Art. 980 Sliding saddle

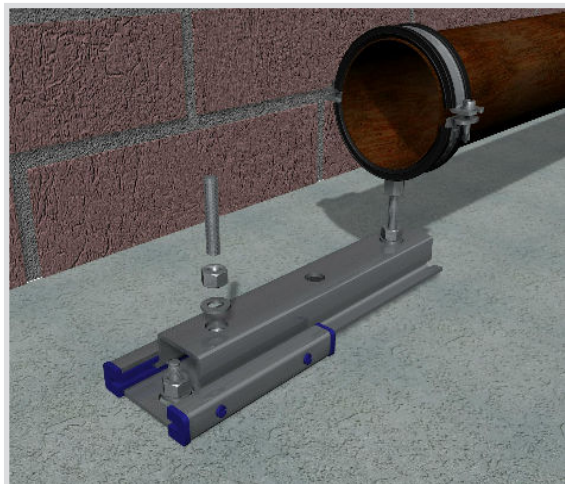
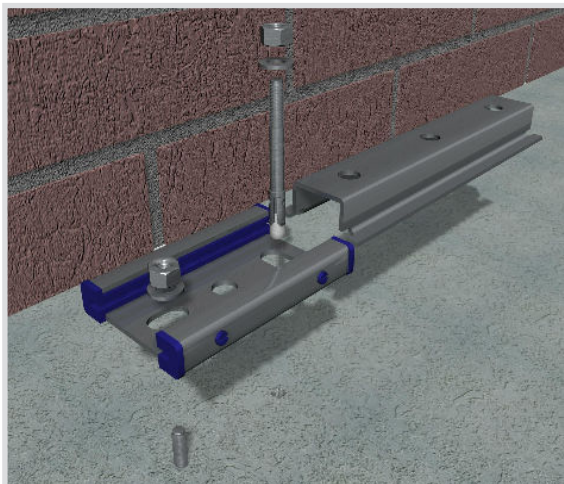


Technical specifications and advantages

- Made with galvanised steel
- Sliding guide in glass fibre reinforced polyamide
- Sliding length: max 140mm
- Temperature resistance: from -30°C to +120°C
- Soundproofing



Code	Max. Load	Max. Load	Ø Holes	Payload [N]
980000	With fixing to ceiling or flooring :	With wall fixing :	12,5	1670
	1300N	1000N		

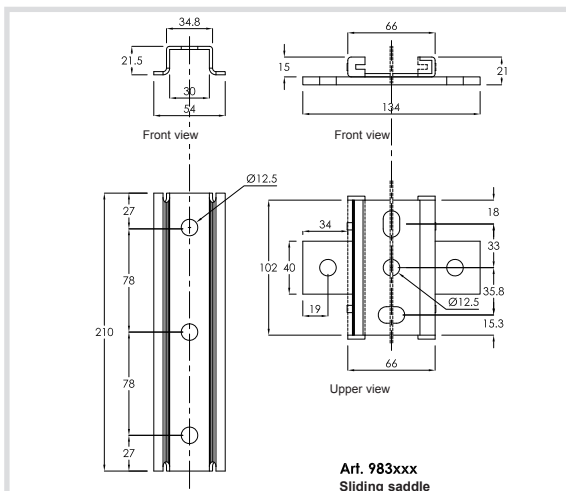
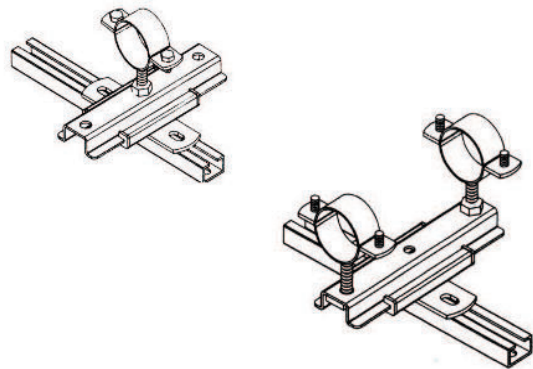


Art. 983 Sliding saddle with fixing rail attachment bracket

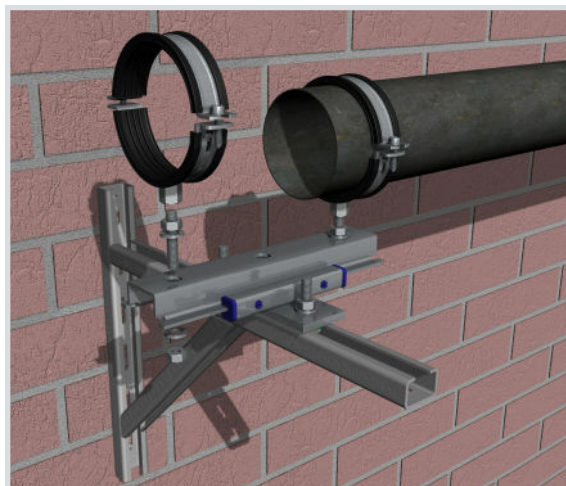
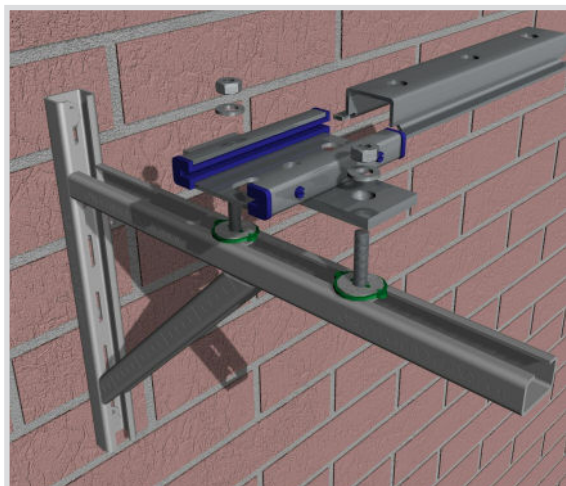


Technical specifications and advantages

- Made with galvanised steel
- Sliding guide in glass fibre reinforced polyamide
- Sliding length: max 140mm
- Temperature resistance: from -30°C to +120°C
- Soundproofing



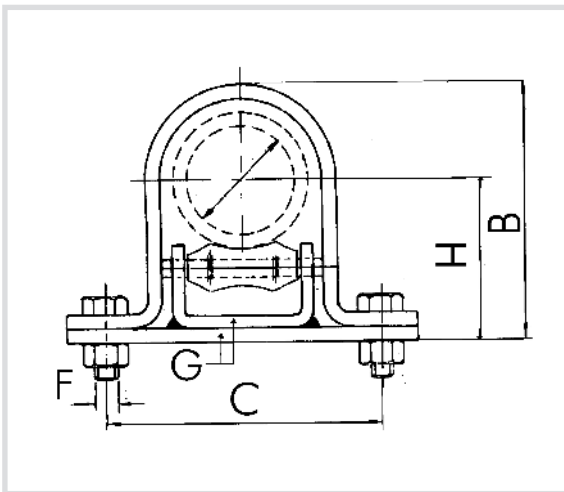
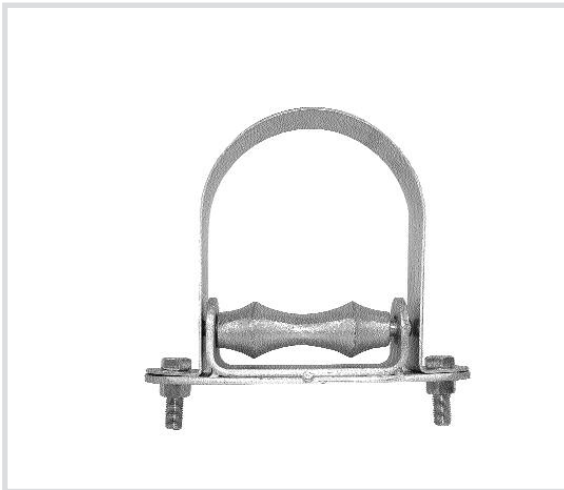
Code	Max. Load	Max. Load	Ø Holes	Payload [N]
983000	With fixing to ceiling or flooring :	With wall fixing :	12,5	1670
	1300N	1000N		



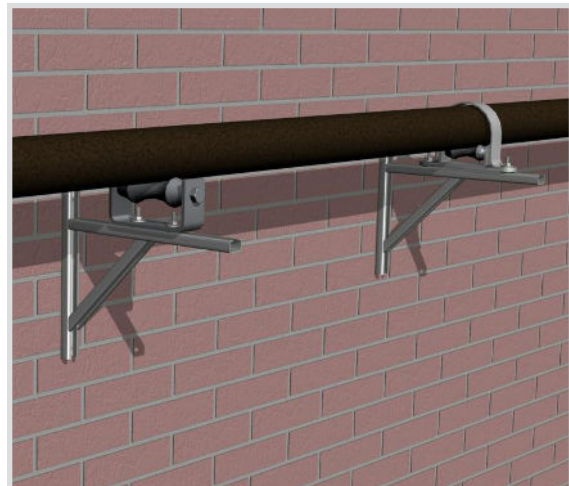
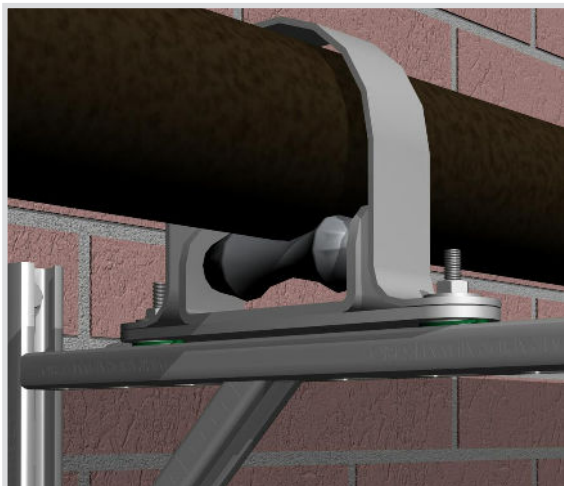
Art. 993 Pipe rollers with protection and assembly support - Iron pipes

Technical specifications and advantages

- Made of galvanised steel
- Cast iron roller
- With pre-assembled protection to prevent the pipe from slipping
- Nylon coating on request



Code	Measurements pipe	Dimens. G [mm]	Bolts F [mm]	C [mm]	H x B [mm]	Payload [N]
993034	fino a 1"	40 x 3	M10 x 30	77	71x77	1050
993048	1 1/4 e 1 1/2	40 x 3	M10 x 30	108	89x108	1050
993060	60 - 2"	40 x 3	M10 x 30	115	105x115	1050
993075	76,1 - 2 1/2	40 x 5	M12 x 40	140	81x128	1050
993090	88,9 - 3"	40 x 5	M12 x 40	180	88x137	1400
993110	114,3 - 4"	40 x 5	M12 x 40	180	101x163	2150
993139	139,7 - 5"	50 x 6	M16 x 50	230	177x205	3100
993168	168,3 - 6"	50 x 6	M16 x 50	230	141x237	3100
993219	219,1 - 8"	50 x 10	M20 x 60	375	200x322	5000
993273	273 - 10"	50 x 12	M24 x 70	430	250x400	9750
993323	323,9 - 12"	50 x 12	M24 x 70	490	289x469	10500
993355	355,6 - 14"	70 x 12	M24 x 70	510	335x530	-
993406	406,4 - 16"	70 x 12	M24 x 70	570	363x586	-
993457	457 - 18"	100 x 12	M24 x 70	645	410x665	-
993508	508,0 - 20"	100 x 12	M24 x 70	660	440x720	-
993609	609,6 - 24"	100 x 12	M24 x 70	790	515x850	-



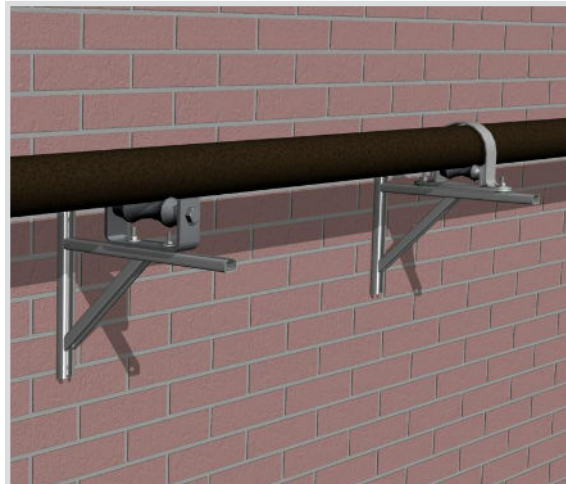
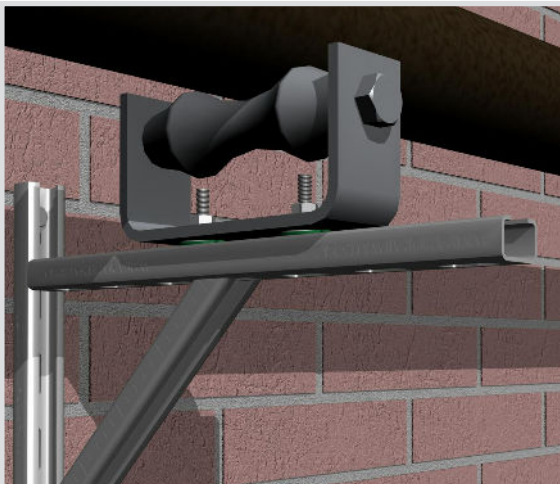
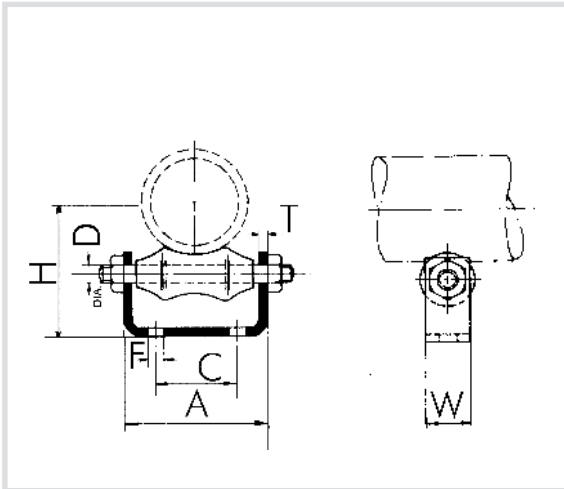
Art. 996 Pipe rollers with assembly support



Technical specifications and advantages

- Made of galvanised steel
- Cast iron roller
- Nylon coating on request

Code	Measurements Ø pipe	W x T [mm]	F [mm]	D [mm]	A x H [mm]	C [mm]	Max. Load [N]
996075	76,1 - 2 1/2"	30 x 5	11	12	95 x 91	50	1050
996090	88,9 - 3"	30 x 5	11	12	110 x 92	50	1400
996110	114,3 - 4"	40 x 5	11	12	130 x 117	63	2150
996139	139,7 - 5"	50 x 6	14	16	162 x 142	76	3100
996168	168,3 - 6"	50 x 6	14	16	162 x 164	82	3100
996219	219,1 - 8"	50 x 10	18	20	260 x 200	115	5000
996273	273 - 10"	50 x 10	22	24	315 x 245	127	9750
996323	323,9 - 12"	50 x 12	22	24	364 x 300	152	10500

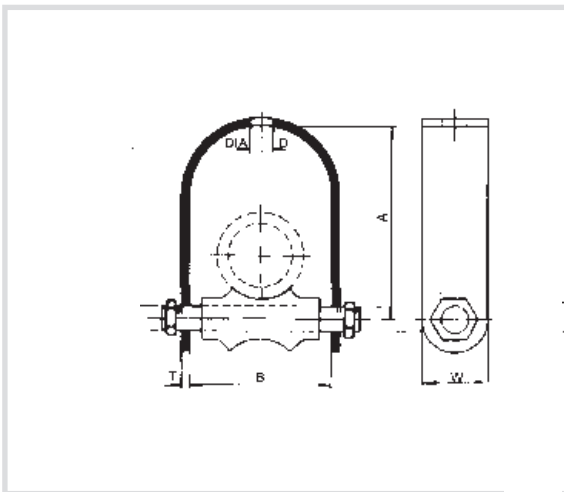


Art. 9964 Pipe rollers on suspended support - Light loads

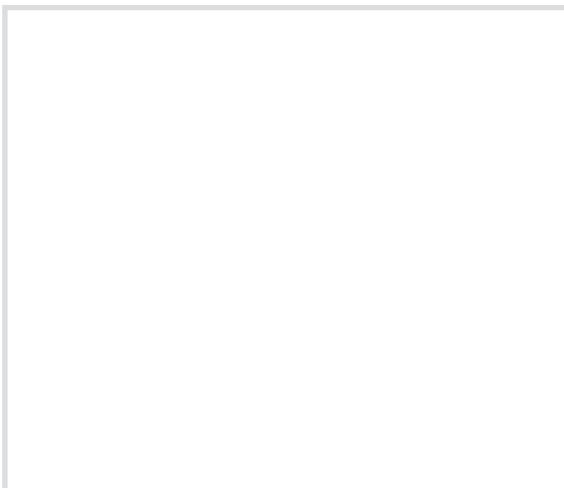


Technical specifications

- Made of galvanised steel, cast iron roller
- For copper pipes, request nylon lining
- The threaded roller support bar should be as short and as rigid as possible to avoid rocking. Ideally 300mm or less.



Code	Measurements Ø [°]	A [mm]	B [mm]	Width [mm]	DIA. D [mm]	W x T [mm]
996434	1/2-3/4-1	75	50	75	11	30 x 3
996442	1 1/4	90	60	75	11	30 x 3
996448	1 1/2	95	66	75	11	30 x 3
996460	2	110	66	85	11	30 x 3
996476	2 1/2	160	88	150	14	40 x 3
996490	3	170	98	150	14	40 x 3
996410	4	190	120	150	14	40 x 5

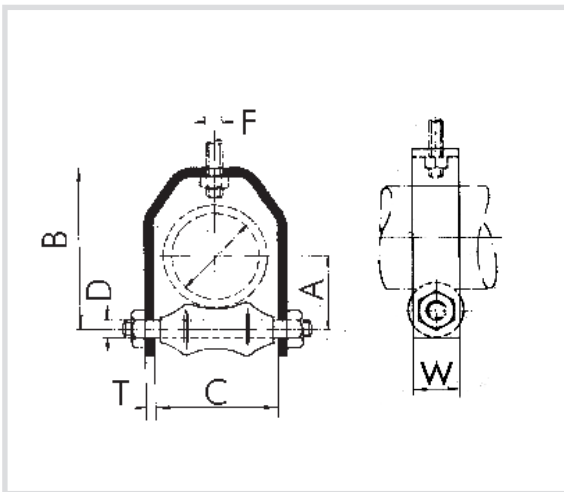


Art. 995 Pipe rollers on suspended support - Heavy loads



Technical specifications and advantages

- Made of galvanised steel, cast iron roller
- For copper pipes, request nylon lining
- The threaded roller support bar should be as short and as rigid as possible to avoid rocking. Ideally 300mm or less.



Code	Measure. Ø pipe	W x T [mm]	Diam. Ø D	A x B [mm]	C [mm]	F [mm]	Payload [N]
995034	(32-35) 1"	30 x 5	M10	30 x 91	50	11	500
995042	(40-43) 1 1/4"	30 x 5	M10	30 x 91	60	11	500
995048	(48-51) 1 1/2"	30 x 5	M10	30 x 95	65	11	500
995060	60 - 2"	30 x 5	M10	38 x 105	65	11	500
995075	76,1 - 2 1/2"	40 x 5	M12	47 x 122	85	14	750
995090	88,9 - 3"	40 x 5	M12	54 x 165	100	14	750
995110	114,3 - 4"	50 x 6	M12	66 x 195	120	14	1000
995139	139,7 - 5"	50 x 6	M16	82 x 216	165	18	1500
995168	168,3 - 6"	50 x 6	M16	100 x 254	188	18	1500
995219	219,1 - 8"	70 x 10	M20	130 x 346	238	26	2000
995273	273 - 10"	70 x 12	M24	160 x 380	285	26	3000
995323	323,9 - 12"	80 x 12	M24	190 x 435	340	26	3000
995355	355,6 - 14"	80 x 12	32 mm	212 x 467	380	26	3000
995406	406,4 - 16"	80 x 12	32 mm	240 x 520	431	26	3000
995457	457,0 - 18"	100 x 20	32 mm	263 x 580	480	32	3000
995508	508,0 - 20"	100 x 20	35 mm	292 x 620	540	32	3000
995609	609,6 - 24"	100 x 25	35 mm	350 x 730	630	32	3000

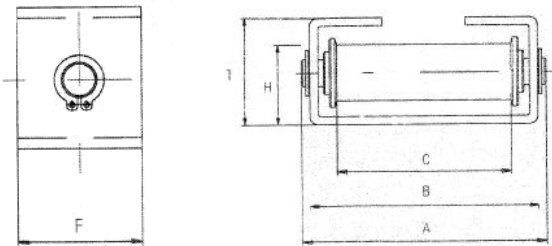


Art. 997 Rollers for saddle



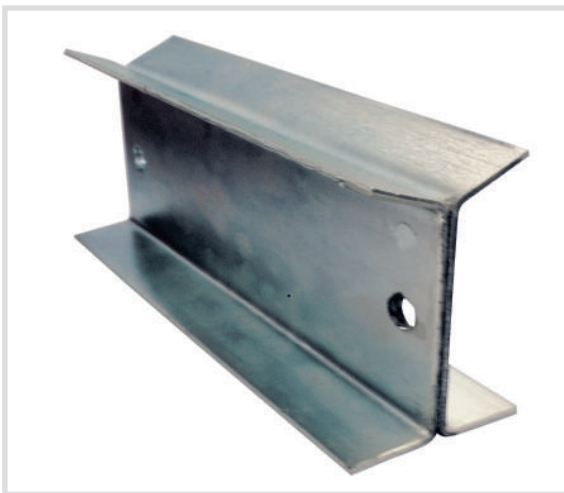
Technical specifications and advantages

- Cage made of Fe 360
- Roller made of steel
- Aisi 304 stainless steel pin
- Synthesised bronze bushings
- Galvanised white
- To allow the support and longitudinal sliding of insulated and non-insulated pipes
- The support must be installed together with a support saddle



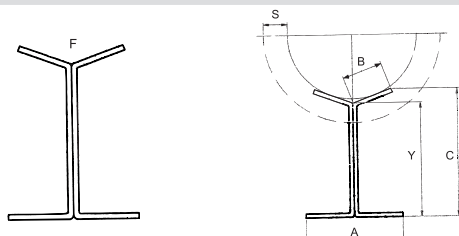
Code	For pipes of diameter	Payload [N]	A [mm]	B [mm]	C [mm]	E [mm]	F [mm]	H [mm]
997080	up to 80 mm	6000	89	82	62	40	35	30
997180	80-180 mm	10000	105	95	65	77	50	61
997300	180-300 mm	15000	143	135	99	100	65	76

Art. 9975 Saddle for rollers 997



Technical specifications and advantages

- Saddle made of steel
- Galvanised white
- Support element for insulated and non-insulated pipes. Must be combined with a roller support (art. 997)
- Normally it must be welded to the pipeline



Code	For pipes of diameter	A [mm]	B [mm]	C [mm]	L length [mm]	S insulation [mm]	Y [mm]	Payload [N]
9975080	up to 80 mm	60	25	80	200	40	69	6000
9975180	80-180 mm	60	35	95	300	60	81	10000
9975300	180-300 mm	92	60	125	300	80	101	15000

