

# Fissaggi 01



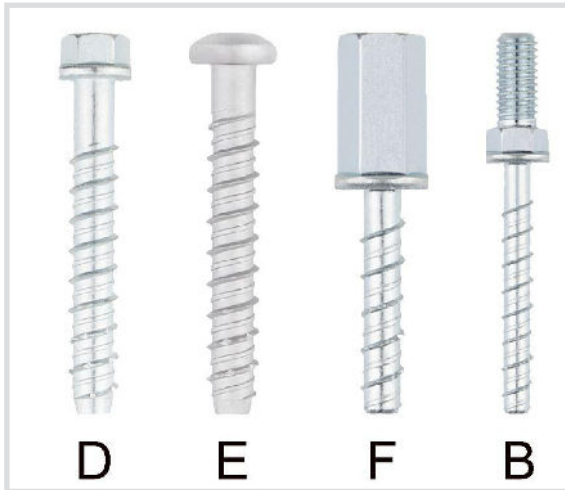
## Anchors



## Anchors

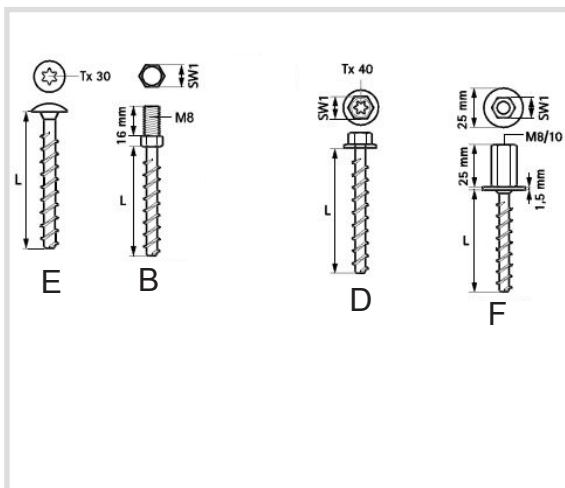
- L 1 Self-tapping screws for concrete surfaces
- L 3 CTH - Steel anchor for heavy fixings
- L 3 CTV - Steel anchor with screw and washers for heavy fixings
- L 4 MTP-X - Steel anchor for heavy fixing - seismic fixing
- L 5 Steel anchor for heavy-duty anchoring with moulded eyelet
- L 5 Steel anchor for high capacity anchorages with pressed hook
- L 6 Universal anchor with screw
- L 6 Nylon anchor with short hook
- L 7 Toggle plugs
- L 8 Steel anchor with screw for medium-heavy fixings
- L 8 Anchors with Allen key, countersunk head
- L 9 Brass anchor
- L 9 Steel anchor with expansion cone
- L 10 Anchor for aerated concrete
- L 11 Universal anchor for drilled holes
- L 11 Anchor for thermal insulation
- L 11 Anchors
- L 12 GL anchor - For plasterboard and aerated concrete (Gas Beton)
- L 12 XL anchor - For plasterboard (thickness > 13 mm)
- L 13 Plasterboard anchor - polyamide
- L 13 Anchor for plasterboard - zamac
- L 14 Chemical anchor
- L 15 Threaded rod for chemical anchor - AISI 304
- L 15 Threaded rod for chemical anchor - galvanised
- L 16 Anchor for heavy fixings - AISI 316

Art. 857 Self-tapping screws for concrete surfaces



*Technical specifications and advantages*

- They are screwed directly into the concrete without using anchors
- No anchor required: saves time and material
- Fire resistant for 120 minutes
- Tested for dynamic and heavy loads
- Suitable for concrete, reinforced concrete and any concrete surface
- Suitable when it is necessary to install the fixings very close together
- The installation holes are particularly small: screw diameter = hole diameter
- Installation is much faster
- Reusable
- Made of steel 1.5523, according to DIN 1654-4
- Treated with Atlantis C3-H coating
- ETA certificates, CE marked



### Technical specifications

Code	Type	L [mm]	D wire [mm]	Sw1 [mm]	Min. wall thickness [mm]	Min. wall thickness [mm]	Min. hole depth [mm]	D element to be fastened [mm]	Tension load non-cracked concrete [N]	TShear load non-cracked concrete [N]	Extraction on cracked concrete [N]	Cutting in cracked concrete [N]
<b>857063</b>	D 6x40	40	6	10	100	100	45	9	2020	6080	1830	4540
<b>857085</b>	D 8x55	55	8	13	100	100	60	12	4570	9500	3200	6910
<b>857086</b>	D 8x70	70	8	13	100	100	75	12	8570	9500	6000	7620
<b>857088</b>	D 8x80	80	8	13	100	100	75	12	8570	9500	6000	7620
<b>857001</b>	D 10x60	60	10	15	100	100	65	14	6380	12450	4470	8710
<b>857003</b>	D 10x80	80	10	15	120	120	85	14	6380	12450	4470	8710
<b>857004</b>	D 10x100	100	10	15	135	135	95	14	13100	13300	9170	13300
<b>857005</b>	D 10x120	120	10	15	135	135	95	14	13100	13300	9170	13300
<b>857021</b>	D 12x110	110	12	18	170	170	120	16	18220	18080	12750	18080
<b>857186</b>	E 8x60	60	8		100	100	60	12	4570	9500	3200	6910
<b>857363</b>	F 6x35	35	6	13	100	100	45	M8/M10	2020	6080	1850	4540
<b>857365</b>	F 6x55	55	6	13	100	100	55	M8/M10	6730	6080	4710	5420
<b>857583</b>	B 6x35	35	6	13	100	100	45	M8	2020	6080	1850	4540
<b>857505</b>	B 6x55	35	6	13	100	100	55	M10	6730	6080	4710	5420

\*C20/25 concrete

Code	min. distance between fastenings [mm]	min. distance from the edge [mm]
<b>857063</b>	78	39
<b>857085</b>	113	57
<b>857086</b>	152	76
<b>857088</b>	152	76
<b>857001</b>	125	63
<b>857003</b>	125	63
<b>857004</b>	201	101
<b>857005</b>	201	101
<b>857021</b>	251	126
<b>857186</b>	113	57
<b>857363</b>	78	39
<b>857365</b>	129	65
<b>857583</b>	78	78
<b>857505</b>	129	129

**Art. 6106 CTH - Steel anchor for heavy fixings**

*Technical specifications and advantages*

- For heavy fixings
- Lateral enlargements prevent rotation
- Also available in stainless steel version
- With internal thread

Code	Type	min. distance between fastenings [mm]	min. distance from the edge [mm]	L [mm]	Threaded	D hole [mm]	Min. wall thickness [mm]	Min. hole depth [mm]	D element to be fastened [mm]	Tension load non-cracked concrete [N]	Taglio su calcestruzzo non fessurato [N]
6106006	CTH6	60	60	45	M6	10	100	55	7	3500	3800
6106008	CTH8	68	68	50	M8	12	100	65	9	4200	7000
6106010	CTH10	75	75	60	M10	15	100	85	12	5600	13300
6106012	CTH12	98	98	75	M12	18	130	105	14	8700	19300

\*C20/25 concrete

**Art. 6108 CTV - Steel anchor with screw and washers for heavy fixings**

*Technical specifications and advantages*

- For heavy fixings
- Lateral enlargements prevent rotation
- Also available in stainless steel version
- With 8.8 bolt

Code	Type	min. distance between fastenings [mm]	min. distance from the edge [mm]	Wrench [mm]	Screw	D hole [mm]	Min. wall thickness [mm]	Min. hole depth [mm]	D element to be fastened [mm]	Tension load non-cracked concrete [N]	Cutting on non-cracked concrete [N]
6108006	CTV6	60	60	10	M6x50	10	100	55	7	3500	3800
6108008	CTV8	68	68	13	M8x60	12	100	65	9	4200	7000
6108010	CTV10	75	75	17	M10x80	15	100	85	12	5600	13300
6108012	CTV12	98	98	19	M12x100	18	130	105	14	8700	19300

\*C20/25 concrete

Art. 6102 MTP-X - Steel anchor for heavy fixing - seismic fixing

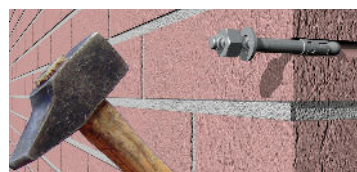
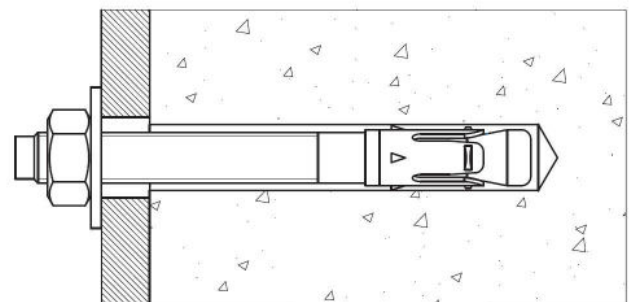
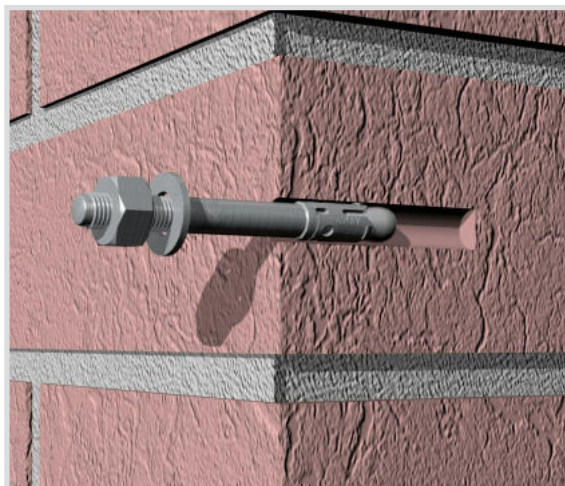


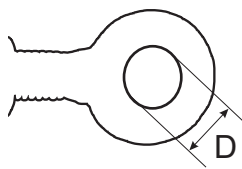
*Technical specifications and advantages*

- For heavy fixings on aerated concrete, cement, stone
- For seismic fixings
- Assembled with nut and washer
- Expansion clamp treated for high corrosion resistance
- Also available in stainless steel
- Other dimensions on request



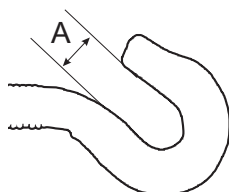
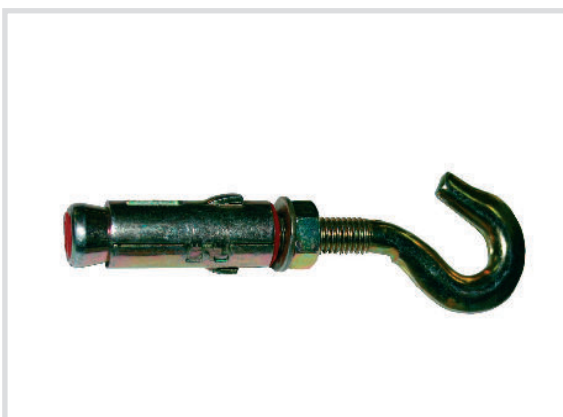
Code	Type	min. distance between fastenings [mm]	min. distance from the edge [mm]	Tightening torque [NM]	Wrench [mm]	Seismic classification	Min. wall thickness [mm]	Min. hole depth [mm]	D element to be fastened [mm]	Extraction on non-cracked concrete [N]	Cutting on non-cracked concrete [N]	Tension load cracked concrete [N]	Cutting in cracked concrete [N]
610206	M8x50	144	72	15	13	-	100	40	9	1820	3920	1300	2750
610278	M8x75	144	72	15	13	C1	100	60	9	3640	6410	2430	5560
610288	M8x95	144	72	15	13	C1	100	60	9	3640	6410	2430	5560
610218	M8x115	144	72	15	13	C1	100	60	9	3640	6410	2430	5560
610290	M10x90	180	90	40	17	C1	120	75	12	7770	10140	4370	10140
610210	M10x105	180	90	40	17	C1&C2	120	75	12	7770	10140	4370	10140
610220	M10x115	180	90	40	17	C1&C2	120	75	12	7770	10140	4370	10140
610230	M10x135	180	90	40	17	C1&C2	120	75	12	7770	10140	4370	10140
610235	M10x165	180	105	40	17	C1&C2	120	75	12	7770	10140	4370	10140
610212	M12x110	210	105	60	19	C1&C2	140	85	14	12140	14740	7770	14740
610262	M12x150	210	105	60	19	C1&C2	140	85	14	12140	14740	7770	14740
610286	M16x175	255	128	100	24	C1&C2	170	105	18	16990	14740	12140	26200



**Art. 6104 Steel anchor for heavy-duty anchoring with moulded eyelet**

*Technical specifications and advantages*

- For concrete materials
- Made of galvanised steel

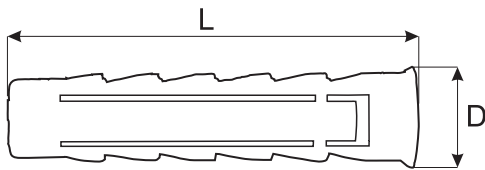
Code	Thread	Min. wall thickness (mm)	min. distance between fastenings (mm)	min. distance from the edge (mm)	Ø hole (mm)	Wrench (mm)	Length (mm)	Tension load (N)	Shear load (N)
6104006	M6	100	60	60	10	10	70	2400	1700
6104008	M8	100	68	68	12	13	80	4000	3100
6104010	M10	100	75	75	15	17	100	5500	5000
6104012	M12	130	98	98	18	19	120	8000	7200

**Art. 6109 Steel anchor for high capacity anchorages with pressed hook**

*Technical specifications and advantages*

- For concrete materials
- Made of galvanised steel

Code	Thread	min. distance between fastenings (mm)	min. distance from the edge (mm)	A (mm)	Ø hole (mm)	Wrench (mm)	Length (mm)	Tension load (N)
6109006	M6	60	60	8	10	10	60	700
6109008	M8	68	68	10	12	13	65	1800
6109010	M10	75	75	13	15	17	80	2600
6109012	M12	98	98	17	18	19	95	3500

Art. 838 Universal anchor with screw



*Technical specifications and advantages*

- For light loads
- Suitable for solid and perforated materials
- Anchor in polyamide (PA6), gray (RAL 7035)
- Expansion in 4 zones
- Cross head screw
- In practical cardboard boxes

Code	D Hook [mm]	L Hook [mm]	Screw [mm]
<b>838006</b>	6	30	4,5 x 40
<b>838008</b>	8	40	5,0 x 50
<b>838010</b>	10	50	6,0 x 60

Art. 8399 Nylon anchor with short hook

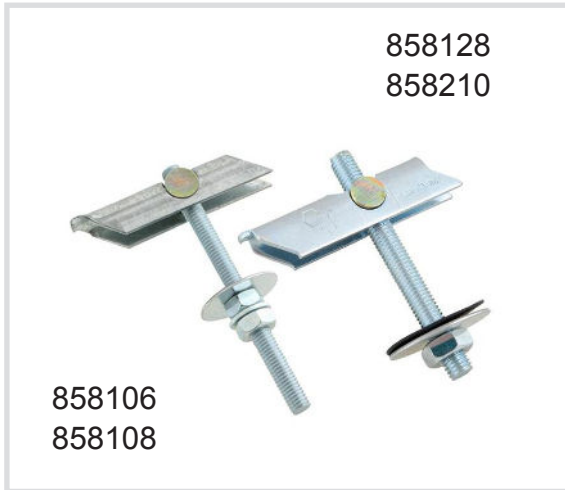


*Technical specifications and advantages*

- For medium loads
- For solid and perforated materials
- In Polyamide (PA6), grey (RAL 7035)
- In practical cardboard boxes

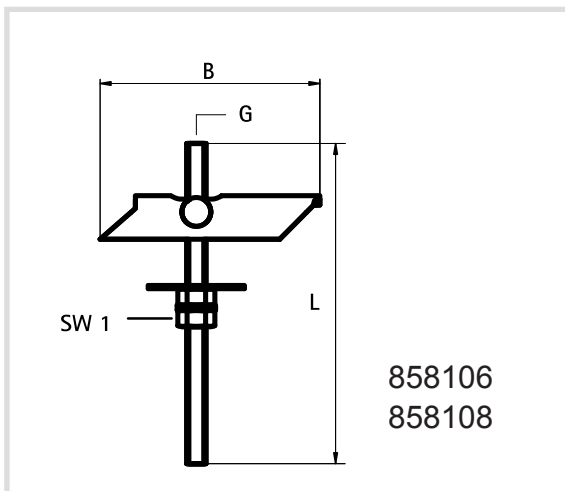
Code	G [mm]	Anchor [mm]	Hole [mm]
<b>839909</b>	9	M4 x 43	12
<b>839912</b>	12	M5 x 50	12

Art. 858 Toggle plugs

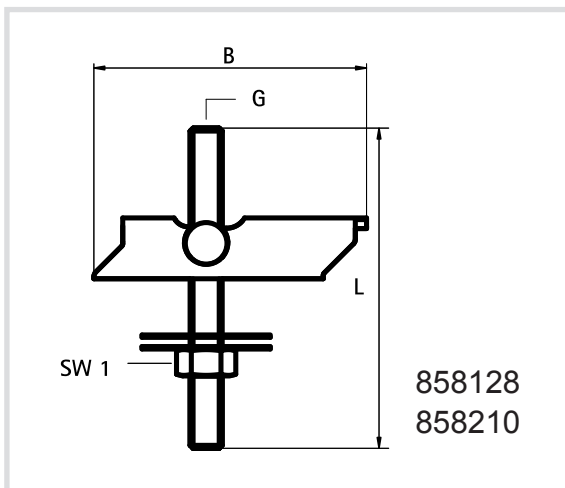


*Technical specifications and advantages*

- U fixing rail with rotatable column
- For fixing in hollow walls and slabs
- Can be used: for the fixing of pipes for ceiling sprinkler system (max DN 50 - 2") according to the VdS rules
- Materials: steel metal parts, protective rubber gasket (art. 858128/858210)
- Galvanised
- VdS approved



Code	G	L [mm]	B [mm]	HØ [mm]	SW1 [mm]
<b>858106</b>	M6	100	68,5	17	10
<b>858108</b>	M8	100	74,0	20	13
<b>858128</b>	M8	200	85,0	22	13
<b>858210</b>	M10	100	85,0	25	17





Art. 6105 Steel anchor with screw for medium-heavy fixings



*Technical specifications and advantages*

- For medium-heavy loads on compact supports
- Hex head screw
- Hardness 6.8
- Includes washer

Code	Screw Thread	Length Ø [mm]	Ø hole [mm]	Wrench [mm]	Fixable thickness [mm]	Tension load [N]	Shear load [N]
<b>6105006</b>	M6	60	9	10	20	250	300
<b>6105008</b>	M8	80	11	13	30	460	550
<b>6105010</b>	M10	80	14	17	50	650	750
<b>6105012</b>	M12	100	16	19	25	800	1500

Art. 6107 Anchors with Allen key, countersunk head

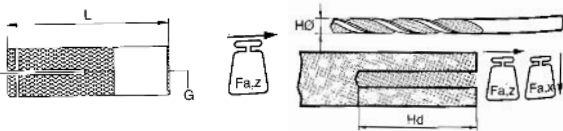


*Technical specifications and advantages*

- For medium-heavy loads on compact supports
- Countersunk head, with Allen key

Code	Thread	Ø Hole [mm]	Length [mm]
<b>610706</b>	M6	9	75
<b>610778</b>	M8	11	75
<b>610718</b>	M8	11	115
<b>610780</b>	M10	14	85
<b>610710</b>	M10	14	110
<b>610712</b>	M12	16	130

Art. 6101 Brass anchor

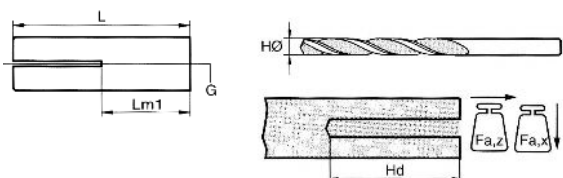


*Technical specifications and advantages*

- For fixing on concrete materials
- Made of brass
- Shaped for a cast iron crimp
- Allows excellent seal with little penetration on the surface

Code	G	L	H Ø [mm]	Fa.z [N]
<b>610106</b>	M6	24	8	650
<b>610108</b>	M8	30	11	1100
<b>610110</b>	M10	34	13	1600
<b>610112</b>	M12	41	18	2200

Art. 61020 Steel anchor with expansion cone



*Technical specifications and advantages*

- For fixing on concrete materials
- Made of galvanised steel
- Tested for fire resistance: test results on request
- Allows excellent sealing with little penetration into the surface

Code	G	L [mm]	Lm1 [mm]	H Ø [mm]	Hd [mm]
<b>6102006</b>	M6	30	17	8	33
<b>6102008</b>	M8	30	13	10	33
<b>6102010</b>	M10	40	15	12	43
<b>6102012</b>	M12	50	18	15	54
<b>6102016</b>	M16	65	23	20	70

	Fa.z (N)	Fa,x (N)
M6	-	-
M8	2.400	3.800
M10	3.600	5.900
M12	6.350	12.200
M16	-	-



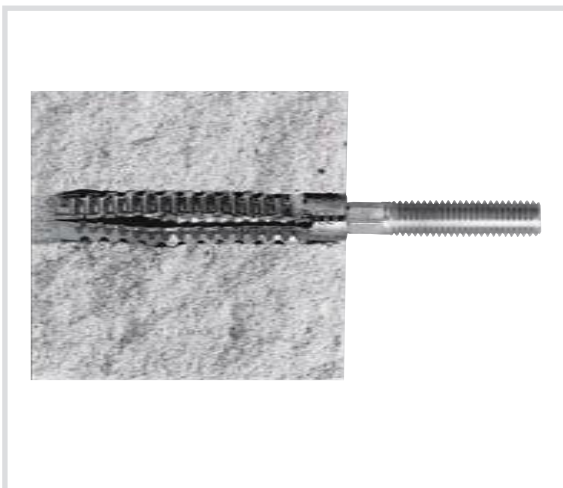
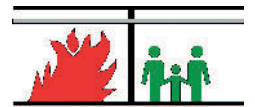
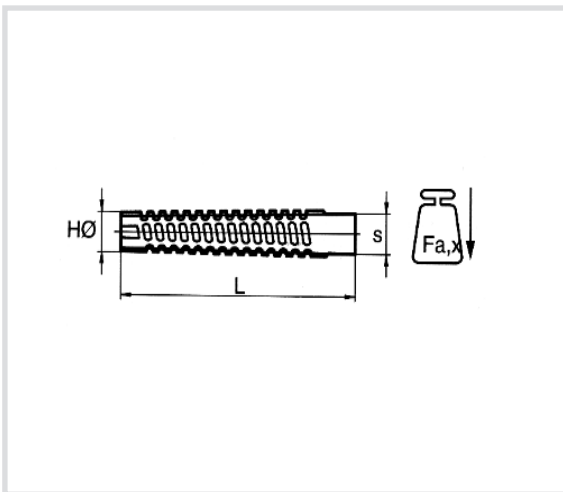
Art. 859 Anchor for aerated concrete

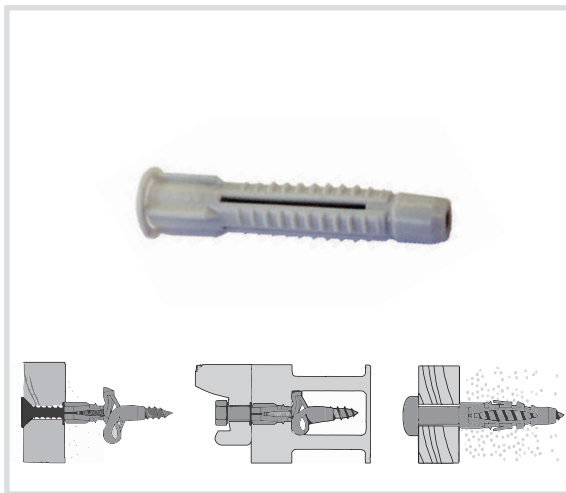


*Technical specifications and advantages*

- For soft or aerated materials
- Tested for fire resistance
- Very good adhesion due to the external shape
- Insertion of the bolt or wood screw is facilitated by the shape

Code	L [mm]	H Ø [mm]	s [mm]	Fa,x [N]
<b>859032</b>	32	8	6	280
<b>859038</b>	38	10	8	550
<b>859060</b>	60	10	8	910
<b>859160</b>	60	12	10	1160



**Art. 8375 Universal anchor for drilled holes**

*Technical specifications and advantages*

- For light loads
- Suitable for solid and perforated materials
- In grey high density polyethylene (HDPE)
- The large wings prevent the anchor from turning

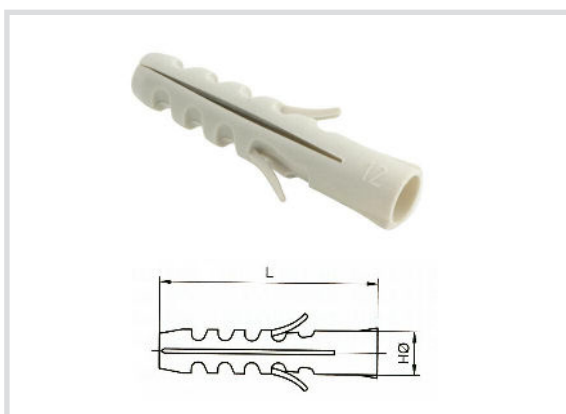
Code	Diameter [mm]	Length [mm]	Suitable for screws Ø [mm]
<b>837506</b>	6	30	3,5
<b>837508</b>	8	48	4,5
<b>837510</b>	10	59	6
<b>837512</b>	12	71	8

**Art. 924 Anchor for thermal insulation**

*Technical specifications and advantages*

- Suitable for thermal insulation
- Tested for wood, high density polyurethane, polystyrene and composite materials
- White polyamide
- Self-tapping
- For light loads

Code	Length [mm]	Suitable for screws Ø [mm]	Min. screw insertion [mm]	Max screw insertion [mm]
<b>924060</b>	60	4 - 6	30	50
<b>924095</b>	95	8 - 10 - M8	40	80

**Art. 834 Anchors**

*Technical specifications and advantages*

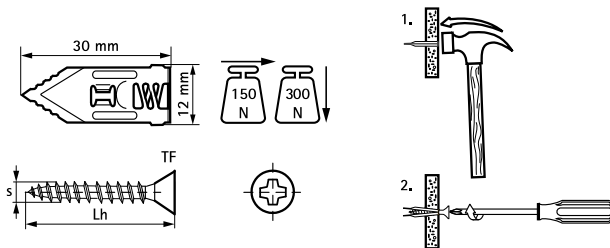
- For light loads
- Made of high density polyethylene (HDPE), grey (RAL 9002)

Code	Diameter [mm]	Length [mm]	Suitable for screws Ø [mm]
<b>834006</b>	6	30	3,5:5
<b>834008</b>	8	40	4,5:6
<b>834510</b>	10	50	6:8
<b>834010</b>	10	60	6:8
<b>834012</b>	12	60	8:10
<b>834014</b>	14	75	10:12

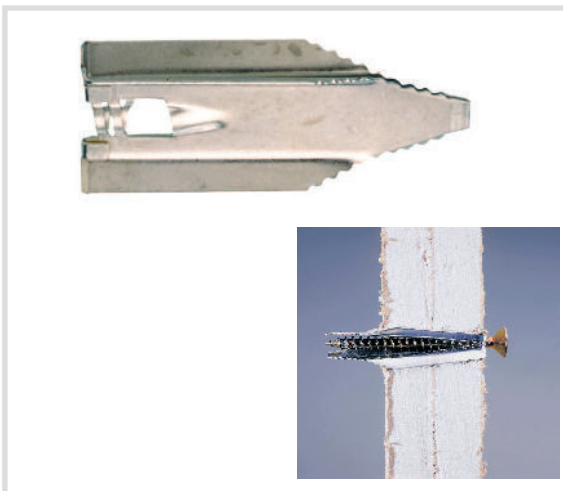
**Art. 856 GL anchor - For plasterboard and aerated concrete (Gas Beton)**

**Technical specifications and advantages**

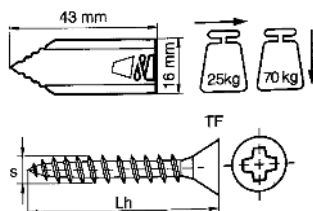
- The anchor is hammered into the plasterboard
- For medium loads
- For use with wood screw, diameter 3.5-5.0mm, minimum length 30mm
- No drilling required
- Does not rotate when inserting the screw
- Removable, with little damage to the plasterboard
- No washer needed, already in the anchor
- Material: galvanised steel
- Better fire resistance than plastic anchors
- Plasterboard thickness: from 9 to 13 mm



Code	Description	S [mm]	Lh [mm]
856001	GL anchor and box	4,0	30
856002	GL anchor + Screws and box		

**Art. 855 XL anchor - For plasterboard (thickness > 13 mm)**

**Hammer the anchor and insert the screw**
**Technical specifications**

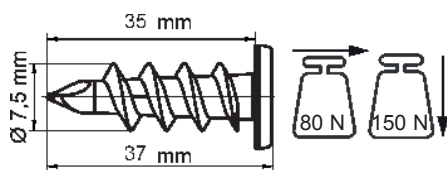
- Made with 1.0332 steel - galvanised
- With screw guide channel
- Closed edges to facilitate insertion
- For heavy applications
- Minimum plasterboard thickness: 13 mm
- No drilling required to insert it
- Fire resistant
- Cannot turn when screwing
- Suitable for screws from  $\varnothing$  4.0 mm to 5 mm minimum length 45 mm



Code	Description
855601	XL anchor + Screws and box
855602	XL anchor and box

**Payload on plasterboard (safety factor 1:2)**

Art. 922 Plasterboard anchor - polyamide



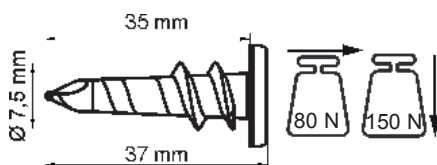
*Technical specifications and advantages*

- For light applications
- Quick and easy to use
- No need to pre-drill
- Clean fixing, without damaging the plasterboard
- Also suitable for aerated concrete, but in this case it is necessary to pre-drill (hole diameter 6 mm)
- Pa6 nylon material, grey

Code

**922001**

Art. 923 Anchor for plasterboard - zamac



*Technical specifications and advantages*

- For light applications
- Quick and easy to use
- No need to pre-drill
- Clean fixing, without damaging the plasterboard
- Also suitable for aerated concrete, but in this case it is necessary to pre-drill (hole diameter 6 mm)
- Material: zamac
- Fireproof

Code

**923003**

Art. 613 Chemical anchor



*Technical specifications*

- ETA & CE
- Certificate of contact with drinking water (WRAS)
- For internal and external applications
- Also suitable for threaded rods from M8 to M30
- Temperature range from -40°C to +80°C



Code	Composition	Description	Cartridge	Seismic classificat. [mm]
<b>613300</b>	Hybrid resin without styrene	Anchor	300 ml	C1
<b>613410</b>	Hybrid resin without styrene	Anchor	410 ml	C1
<b>613385</b>	Pure epoxy	Anchor	385 ml	C1 & C2
<b>613585</b>	Pure epoxy	Anchor	585 ml	C1 & C2



Code	Description	D x L cage [mm]
<b>613020</b>	Cage	15 x 85
<b>613021</b>	Cage	15 x 130

Art. 613X Threaded rod for chemical anchor - AISI 304



*Technical specifications and advantages*

- Threaded rod with nut and washer for chemical anchor
- Material: AISI 304 stainless steel
- AISI 304 stainless steel washer
- Nut in AISI 304 stainless steel
- For applications inside or outside buildings

Code	Dimensions [mm]
<b>613X1030</b>	M10x130
<b>613X1260</b>	M12x160

Art. 6131 Threaded rod for chemical anchor - galvanised



*Technical specifications and advantages*

- Threaded rod with nut and washer for chemical anchor
- Material: steel
- Galvanised
- 901 zinc plated washer
- Galvanised nut
- For applications inside or outside buildings

Code	Dimensions [mm]
<b>6131030</b>	M10x130
<b>6131090</b>	M10x190
<b>6131260</b>	M12x160
<b>6131220</b>	M12x220
<b>6131690</b>	M16x190



Art. 10B Anchor for heavy fixings - AISI 316



*Technical specifications*

- Suitable for concrete materials (cement, reinforced concrete, concrete, aerated concrete), stone
- A small edge distance is sufficient
- Reduced distance between the centre of two fasteners
- Material: AISI 316 stainless steel
- Assembled with nut and washer

Code	G	L [mm]	min. distance between fastenings [mm]	min. distance from the edge [mm]	SW1 [mm]	Min. wall thickness [mm]	Min. hole depth [mm]	Non-cracked concrete tension load [N]	Non-cracked concrete shear load [N]	Cracked concrete tension load [N]	Cracked concrete shear load [N]
10B875	M8	75	72	144	13	100	60	5820	6930	4130	5560
10B895	M8	95	72	144	13	100	60	5820	6930	4130	5560
10B812	M8	115	72	144	13	100	60	5820	6930	4130	5560
10B090	M10	90	90	180	17	120	75	7770	11010	4130	5560
10B010	M10	105	90	180	17	120	75	7770	11010	4130	5560
10B012	M10	115	90	180	17	120	75	7770	11010	6800	11010
10B015	M10	165	90	180	17	120	75	7770	11010	6800	11010
10B211	M12	110	105	210	19	140	85	8900	15960	7690	15960
10B212	M12	120	105	210	19	140	85	8900	15960	7690	15960
10B214	M12	150	105	210	19	140	85	8900	15960	7690	15960
10B218	M12	180	105	210	19	140	85	8900	15960	7690	15960
10B613	M16	145	128	255	24	170	105	15590	32040	10920	26200
10B620	M16	220	128	255	24	170	105	15590	32040	10920	26200

\*C20/25 concrete

