

Fissaggi 01



Passive fire protection system

M

<p>2220/1</p> <p>M 1</p>	<p>2209</p> <p>M 2</p>	<p>222</p> <p>M 3</p>	<p>218400</p> <p>M 4</p>
<p>21827</p> <p>M 5</p>	<p>218300</p> <p>M 6</p>	<p>218220</p> <p>M 7</p>	<p>2182</p> <p>M 8</p>
<p>2182</p> <p>M 8</p>	<p>2182</p> <p>M 8</p>	<p>219</p> <p>M 9</p>	<p>218230</p> <p>M 10</p>
<p>21819</p> <p>M 11</p>	<p>214</p> <p>M 12</p>	<p>218299</p> <p>M 13</p>	<p>220906</p> <p>M 14</p>

Passive fire protection systems

- M 1 CORH RON CN fire protection collar
- M 2 CORH EFC - endless fire protection collar
- M 3 CORH RON CN 50 fire protection collar
- M 4 CORH N-III Fire protection wrap
- M 5 CORH AC KITT – Fire protection intumescent mastic
- M 6 CORH FM I - Fire protection certified mortar
- M 7 CORH BS - Fire protection board
- M 8 CORH BMA, BMS, BMK - Flame protection paste and paints
- M 9 CORH PYRO SF fire protection sleeve for cables and pipes
- M 10 CORH BSB-K - Fire protection brick
- M 11 CORH BK-N fire bags
- M 12 CORH VTM - Intumescent paint
- M 13 CORH SPC - Fire protection sheath
- M 14 Identification plate

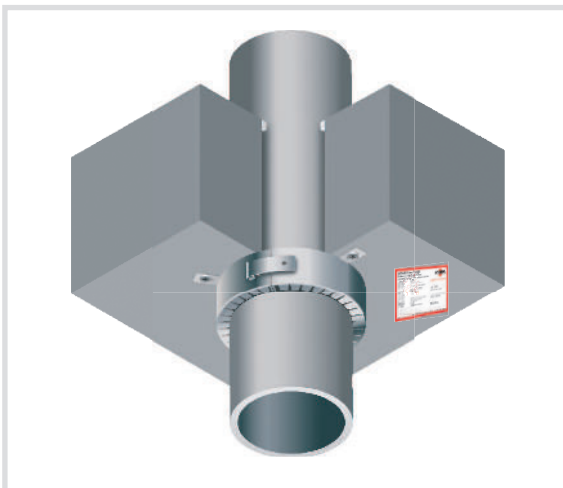
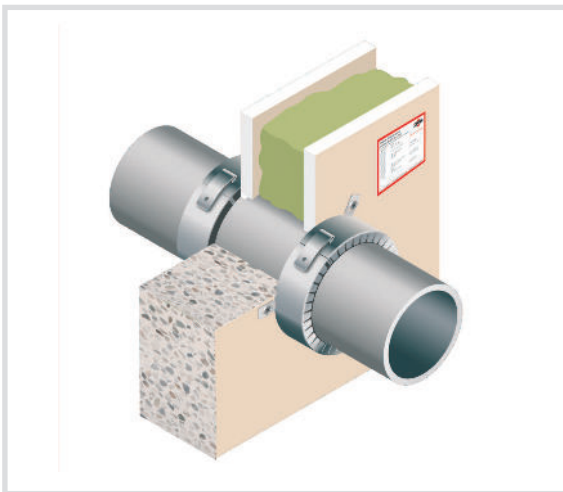
Specification items



Applications



Art. 2220/1 CORH RON CN fire protection collar

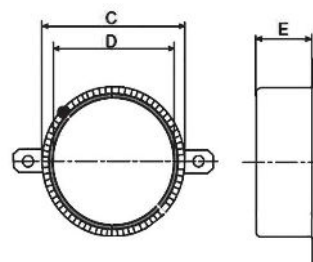


Technical specifications and advantages

- Certified for plastic, multilayer, insulated metal pipes
- To be installed around pipes in ceilings, slabs, solid walls, stone walls, walls of flexible material or concrete
- For horizontal and vertical pipes
- Extremely low clamp height
- External material: stainless steel
- Internal material: intumescent, consisting of graphite and mineral fibres
- Includes screws and anchors
- It is possible to assemble it without fixing anchors, walling the clamp in the wall or on the ceiling
- It is not attacked by normal chemicals found in building materials
- The flame resistance depends on the type of wall and the type of pipe
- Tested for wall thickness >100mm and floor thickness >150mm
- Fire resistance up to EI 240
- Tested according to EN 1366-3 and ETAG 026-2
- ETA and VKF certified, CE marked



Code	Diameter [mm]	E [mm]	D [mm]	C [mm]	Number of fastening strips
222040	20-40	30	40	54	2
222050	41-50	30	55	69	2
222063	51-65	30	65	79	2
222075	66-75	30	75	89	2
222090	76-90	30	90	112	3
222110	91-110	30	110	132	3
222125	111-125	45	125	147	3
222140	126-140	45	140	174	3
222160	141-160	45	160	194	3



SPECIFICATION ITEM

CORH RON CN - Supply and installation of CORH RON CN fire clamp for combustible pipes with or without insulation and insulated metal pipes consisting of an external casing in stainless steel and internal intumescent material. Tightness up to EI 240. For horizontal and vertical crossings. ETA and VKF certified, CE marked.

Art. 2209 CORH EFC - endless fire protection collar

WATCH THE VIDEO



Technical specifications and advantages

- Suitable for all combustible pipes up to diam.160 mm and for insulated or non-combustible metal pipes up to diam.108
- For horizontal, vertical or diagonal pipes
- External material: stainless steel
- Internal material: intumescent
- No material is wasted
- It is not necessary to know in advance the diameters to be protected, nor to keep stocks of the various diameters
- Up to 3 pipes with the same fire clamp
- Each box is used to seal 6 DN100 pipes
- Fire resistance up to EI 240
- Tested according to EN 1366-3 and ETAG 026-2
- ETA certificate, CE marked



Code	Description
220900	10 meters of intumescent band 3 meters of metal band 18 fixing hooks 6 identification plates 18 fixing screws and anchors Spare parts for EFC
220904	EFC metal band, 3 meters
220905	EFC fixing kit, 18 packs
220906	EFC identification plate



SPECIFICATION ITEM

CORH EFC - Supply and installation of continuous fire clamp CORH EFC for combustible pipes with or without insulation and insulated metal pipes, consisting of an external casing in stainless steel and internal intumescent material.

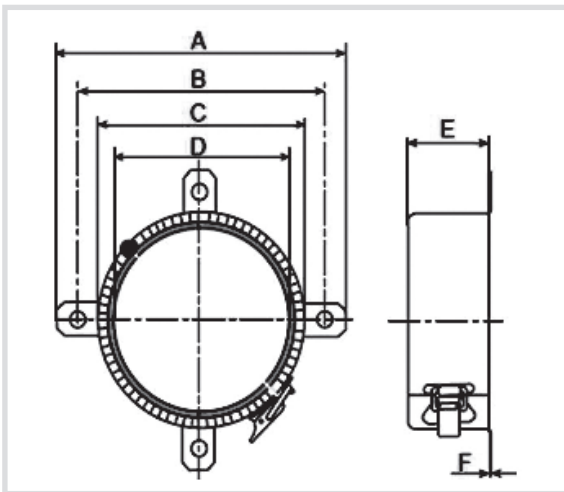
Tightness up to EI 240.ETA certificate with CE marking. For vertical, horizontal and diagonal crossings.

Art. 222 CORH RON CN 50 fire protection collar

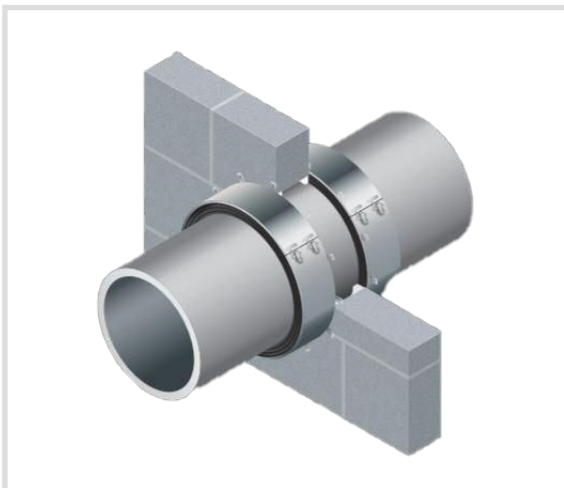


Technical specifications and advantages

- Designed for large size (>175 mm) insulated metal and plastic pipes
- To be installed around pipes in ceilings, slabs, solid walls, stone walls, walls of flexible material or concrete
- Includes screws and anchors
- For horizontal or vertical pipes
- External material: stainless steel
- Internal material: intumescent, consisting of graphite and mineral fibres
- It is not attacked by normal chemicals found in building materials
- Tested for wall thickness >100mm and floor thickness >150mm
- Tested according to EN 1366-3 and ETAG 026-2
- The flame resistance depends on the type of wall and the type of pipe
- ETA and VKF certified, CE marked



Code	D [mm]	A [mm]	B [mm]	C [mm]	D [mm]	E [mm]	No. strips [mm]
222200	175-200	290	266	242	200	130	6
222225	208-225	319	295	271	225	130	6
222250	200-250	348	324	300	250	130	6
222300	285-300	402	378	354	300	130	8
222315	301-315	421	397	373	315	130	8
222355	340-355	469	445	421	355	130	10
222400	380-400	530	506	482	400	130	12



SPECIFICATION ITEM

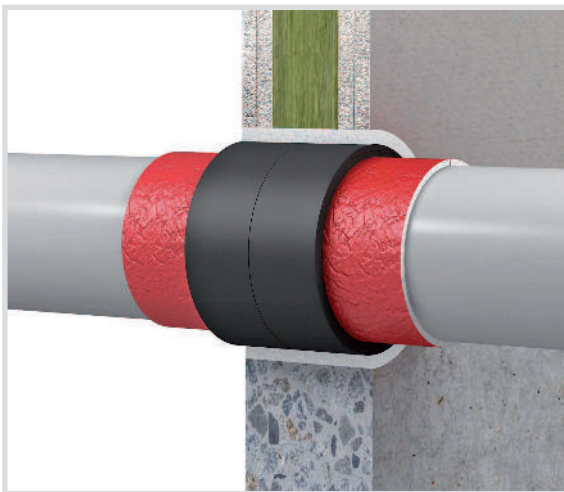
CORH RON CN 50 - Supply and installation of CORH RON CN 50 fire clamp for combustible pipes with or without insulation and insulated metal pipes, consisting of an external casing in stainless steel and internal intumescent material. Tightness up to EI 240. For horizontal and vertical crossings up to diameter 400. ETA and VKF certified, with CE marking.

Art. 218400 CORH N-III Fire protection wrap

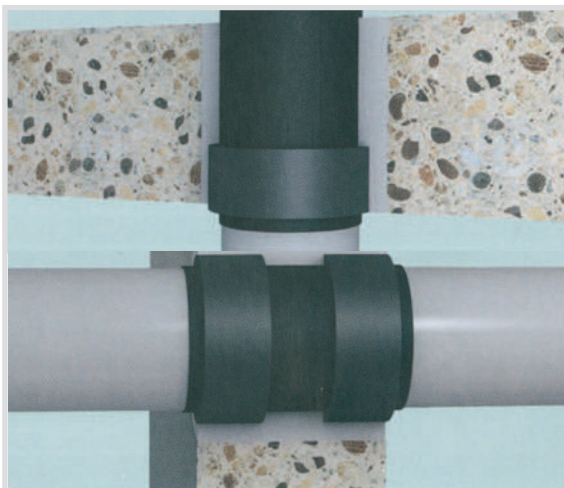


Technical specifications and advantages

- For combustible pipes, bare or insulated, and multi-layer in wall penetrations, flexible walls and ceilings
- Suitable for areas that are difficult to access, such as corners
- No tools required for installation
- One roll for many applications
- Easy to install by adhering the roll around the pipe. A minimum number of layers of band is required
- Reduced wall holes can be used
- High flexibility of the self-adhesive band
- Usable even in humid conditions
- It is possible to have several pipes in contact
- Sticks to itself throughout application
- Fire resistance up to EI 240
- ETA certificate, CE marked



Code	Dimensions
218400	12,5 meters x 5 cm thickness 2 mm



SPECIFICATION ITEM

CORH N-III - Supply and application of CORH N-III fire barrier bandage, consisting of a coil of intumescent material adhesive on itself, tested in compliance with the EN1366-3, for protection up to EI 240, in penetrations of bare or insulated combustible pipes on walls and ceilings. The band will be used in one or more layers, according to the usage tables, depending on the diameter of the pipes (see Corh catalogue). ETA certified and with CE marking.

Art. 21827 CORH AC KITT - Fire protection intumescent mastic



Technical specifications and advantages

- For light (e.g. plasterboard) and concrete walls
- For fire sealing expansion points and joints of constructions between walls and floors
- Tested for electric cables, pipes, conduits and pipes in combustible material up to a maximum diameter of 32 mm, in place of the fire clamp
- Tested on penetrations of metal pipes insulated with mineral wool
- Also suitable for the sealing of doors and windows
- Expands under the influence of heat 1.9 to 5 times. Activation temperature approx. 200°C
- Halogen-free, graphite-based expansion
- Good adhesion to most building materials
- Application: caulking gun or spatula
- Store in a dry place at a temperature of +5°C/30°C, not in direct contact with the sun
- The closed container in the original package can be used up to 24 months from the date of packaging
- Tested according to EN 1366-3 and ETAG 026-2
- Fire resistant up to EI 240
- ETA certificate, CE marked



Code	Colour	Density Kg / m ³	pH	Packaging
218270	White	1360-1840	c.a. 8	Cartridge 310 ml

SPECIFICATION ITEM

CORH AC KITT - Supply and application of CORH AC KITT intumescent mastic, with fire resistance characteristics up to EI 240, to be installed to seal penetrations of insulated metal pipes (copper, steel, stainless steel), electric cables and conduits, combustible pipes up to 32mm diameter. ETA certified and with CE marking.

Art. 218300 CORH FM I - Fire protection certified mortar

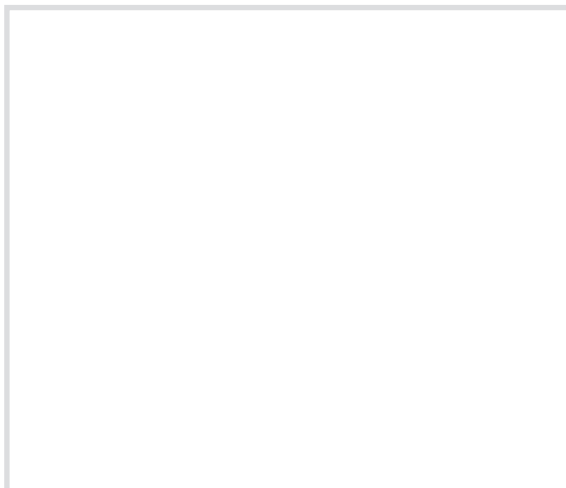


Technical specifications and advantages

- For sealing in the presence of cables, combustible and non-combustible pipes (with or without insulation), sleeves, fire clamps, air ducts and fire doors
- Suitable for the closing of holes in both walls and floors
- Application by hand or with a mortar gun
- Strong adhesion to any surface both smooth and with large or small texture
- Tested for fire resistance up to EI 120
- Used tools easily washable with water
- Quick drying time
- ETA certificate, CE marked



Code	Packaging
218300	20 kg

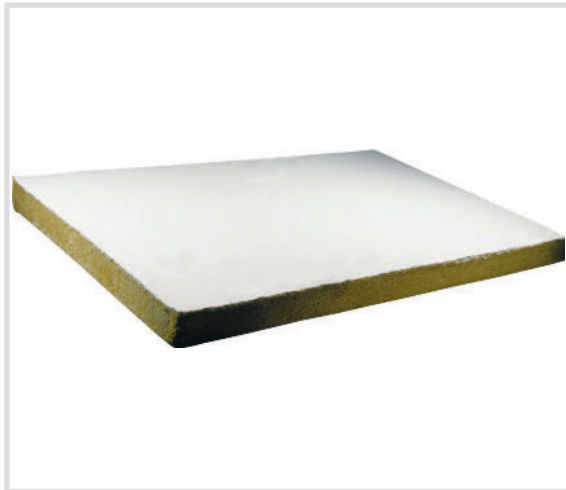


SPECIFICATION ITEM

CORH FM I - Supply and application of CORH FM I mortar having fire resistance characteristics up to EI 120, tested in compliance with EN 1366-3, for sealing cables, combustible and non-combustible pipes, with or without insulation, fire sleeves and clamps, air ducts and fire doors. ETA certified and with CE marking.

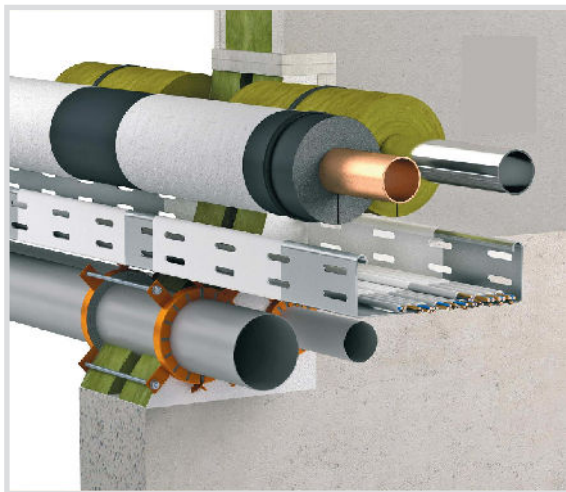
Art. 218220 CORH BS - Fire protection board

WATCH THE VIDEO

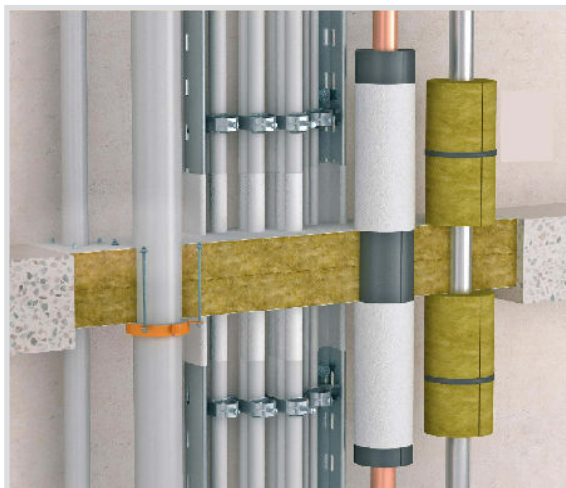


Technical specifications and advantages

- Fire resistant panel for walls and ceilings
- Suitable for multiple crossings of cables, combustible and non-combustible pipes, conduits, etc.
- Impermeable to water vapour and resistant to UV rays with melting point >1000°C
- Base of mineral fibre with single side coating
- High flexibility, cables and pipes can pass through the same opening
- Thermal conductivity $\lambda=0.040$ W/mk
- Fire resistance up to EI 120
- To hermetically seal the small remaining holes, use CORH BMS or CORH BMK paste, or CORH BMA paint
- ETA certificate, CE marked



Code	Dimension [mm]
218220	1000x625x60



SPECIFICATION ITEM
 CORH BS - Supply and installation of CORH BS semi-rigid rock wool panel, treated on one side with CORH BMA ablative product, 1000x625x60 mm in size, designed for fire protection up to EI 120 for wall and/or floor penetrations. The panel can be cut and shaped, with sealing of any gaps using CORH BMS, CORH BMK and/or CORH BMA paste. ETA certified and with CE marking.

Art. 2182 CORH BMA, BMS, BMK - Flame protection paste and paints



CORH BMA



CORH BMS



CORH BMK

Technical specifications and advantages

- To seal crossings of cables, conduits, pipes
- Used in combination with CORH BS panel
- Solvent-free dispersion
- pH approx. 8
- White colour
- Non-combustible
- Specific gravity $1.55 \pm 0.07 \text{ g/cm}^3$
- Consumption: approximately 2.05 kg/m^2 to obtain a dry film of 1 mm thickness
- It is not sensitive to humidity
- Same components with different viscosities
- Corh BMA: for the painting of pipes, ducts, metal products, FM approved
- Corh BMS/BMK: spreadable paste for the sealing of penetrations where Corh BS panel has been used
- ETA certificates, CE marks



Code	Description	Packaging	Type
218242	CORH BMS	Bucket, 1 kg	Paste
218244	CORH BMS	Bucket, 5 kg	Paste
218246	CORH BMS	Bucket, 12,5 kg	Paste
218252	CORH BMK	Cartridge, 0,4 kg	Paste
218254	CORH BMK	Cartridge, 1 kg	Paste
218264	CORH BMA	Bucket, 1 kg	Paint
218266	CORH BMA	Bucket, 5 kg	Paint
218268	CORH BMA	Bucket, 12,5 kg	Paint

SPECIFICATION ITEM

Supply and application of CORH BMS/CORH BMK paste, to seal penetrations where CORH BS panel was used, with specific weight $1.55 \pm 0.07 \text{ g/m}^3$.

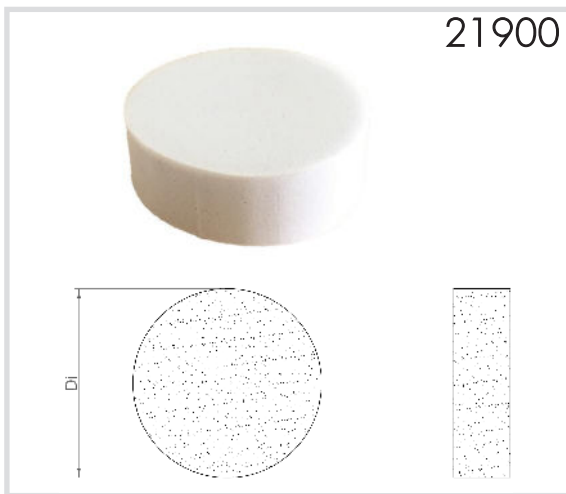
Supply and application of CORH BMA paint, for the painting of conduits, cables, metal products crossing a fire wall. Specific gravity $1.55 \pm 0.07 \text{ g/m}^3$. Painting must be performed for a distance of less than 250 mm from the crossed wall.

Art. 219 CORH PYRO SF fire protection sleeve for cables and pipes



Technical specifications

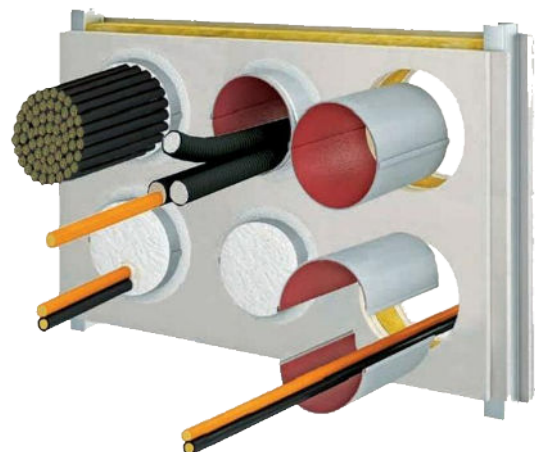
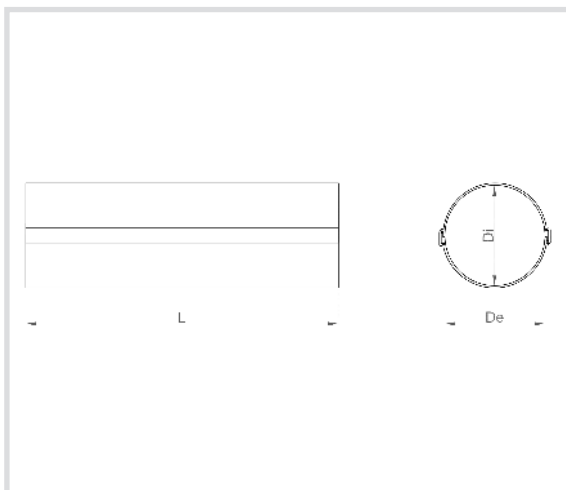
- Suitable for penetrations in concrete walls, masonry, plasterboard and ceilings
- Very easy to insert new cables and pipes in the crossing
- Outer material: PVC shell, grey
- Internal material: intumescent DG-CR
- Remains constant over time, is not affected by humidity
- Both for existing cables and pipelines and for new installations
- To be used in combination with CORH Flammotec A sealing paste
- Protection up to EI 120
- ETA certificate, CE marked



WATCH THE VIDEO



Code	L [mm]	D _I [mm]	D _E [mm]
219150	150	110	120
219200	200	110	120
219300	300	110	120
219000	Melamine cap		



Art. 218230 CORH BSB-K - Fire protection brick



CORH BSB-K



CORH BSB-KL

Technical specifications and advantages

- Suitable for multiple cable and pipe penetrations
- Easy to install and flexible fire and smoke sealing system
- Resistant to humidity and condensation
- The bricks are self-adhesive on themselves, no glue necessary
- Suitable for all types of wall and ceiling, with thicknesses defined in the ETA
- Maximum sealable size: 600x600 mm (wall), 1000x600 (ceiling)
- Once installed, any gaps must be closed with CORH BSB-KL paste
- EN 13501-1 tested
- Fire resistance up to EI 180
- ETA certificate, CE marked



Code	Dimensions [mm]	Type
218230	160x130x60	CORH BSB-K
218232	Sealing cartridge 0,5 kg	CORH BSB-KL
218233	Bucket, 5 kg	CORH BSB-KL

SPECIFICATION ITEM

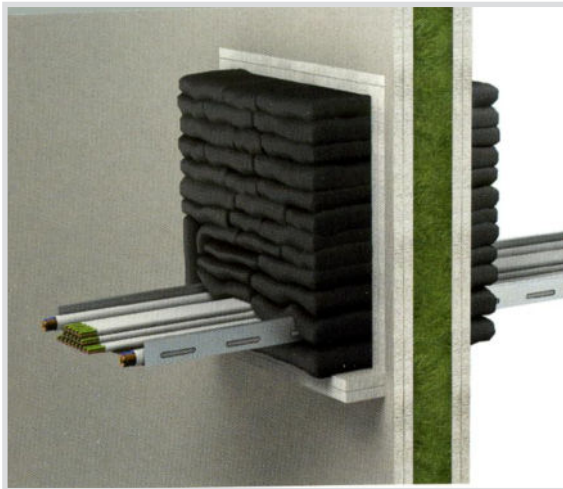
Supply and laying of CORH BSB-K intumescent material brick. Any gaps should be sealed with BSB-KL paste. The brick, 160x130x60 mm in size, is suitable for any wall or wall, thickness \geq 100 mm. Fire protection up to EI 180.

Art. 21819 CORH BK-N fire bags



Technical specifications and advantages

- Can be used for temporary or permanent closure
- Very easy to use
- Very flexible system for the installation of cables, conduits, telecommunication cables, etc.
- No additional sealant is required
- Fire resistance up to EI 180
- ETA certificate, CE marked



	Wall (concrete)	Ceiling	Wall in lightweight materials
Thickness	≥100 mm	≥150 mm	≥100 mm
Max sealable opening	600x600	600x600	600x600
Minimum sealable thickness	250 mm	250 mm	250 mm

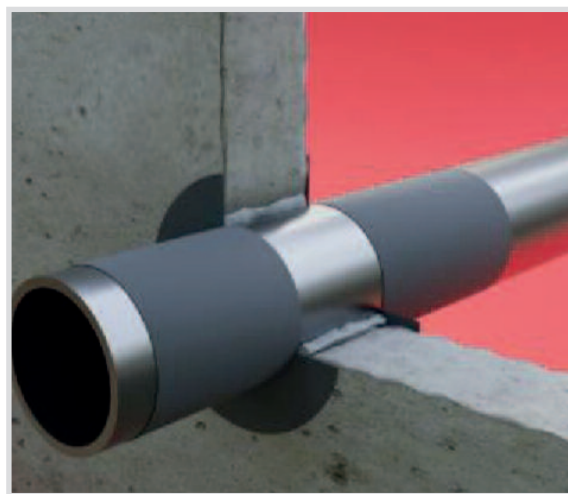


Code	Dimension
218190	250 x 60 x 30 mm
218191	250 x 130 x 35 mm
218192	250 x 180 x 35 mm

SPECIFICATION ITEM

CORH BK-N - Supply and installation of CORH BK-N fire bags, having fire resistance characteristics up to EI 180, tested in compliance with EN 1366-3 to be installed for the crossing of cables, ducts, telecommunication conduits, plastic or steel diameter ≤ 16 mm. ETA certified and with CE marking.

Art. 214 CORH VTM - Intumescent paint



Technical specifications and advantages

- For non-insulated metal pipes
- Also suitable for combustible pipes up to 40 mm in diameter
- Based on synthetic resin with water dispersion
- Storage temperature: +5°C/30°C
- Provides a durable intumescent fire protection coating
- Easy application with brush or spatula
- No need to add water to the mixture
- Available in bucket or cartridge
- Fire resistant up to EI 120
- ETA certificate, CE marked

WATCH THE VIDEO



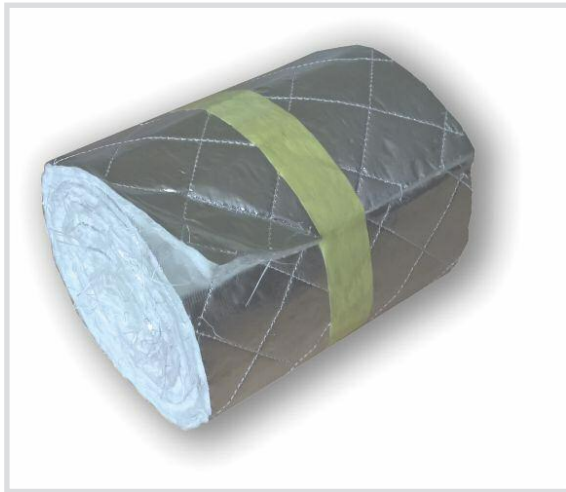
Code	Type	Quantity
214001	Cartridge	310 ml
214003	Bucket	3 kg
214010	Bucket	10 kg

Fire resistance	Up to EI 120
Fire reaction	Bfl-s1, B-s2, d0
Colour	Grey
Specific weight	1,42 ± 5% g/cm ³
Use category	Z1, Z2
Non-volatile substances content (%)	73,9 ± 5%
Storage temperature	From +5°C Up to +30°C
To be consumed within	10 months
Consumption (kg/m ³) to obtain a dry film of 1 mm thickness	1,89 kg/m ²

SPECIFICATION ITEM for non-insulated metal pipes

CORH VTM - Supply and application of CORH VTM synthetic resin-based intumescent paint with fire resistance characteristics up to EI 120, to be applied on both sides of the penetrations of non-insulated metal pipes (steel, cast iron, copper) or pipes combustibles up to 40 mm diameter. ETA certified and with CE marking.

Art. 218299 CORH SPC - Fire protection sheath



Technical specifications and advantages

- For non-insulated metal pipes
- Mattress in glass wool, aluminised and treated with ablative components
- Insulating specific weight 100 Kg/m³
- Average thickness 7 mm, Width 240 mm, Length 5000 mm
- Category: Class A1, EN 13501-1
- Hazard class, NOT DANGEROUS, according to the EC regulations
- Not combustible
- Store the material in a dry place and not in direct contact with the sun, recommended temperature +5°C/+40°C
- It is not sensitive to humidity
- Fire resistant: Class EI 120, according to EN 1366-3, both on walls and ceilings



Code	Dimensions [mm]	Type
218299	240x5000x7	coil 5 meters

SPECIFICATION ITEM

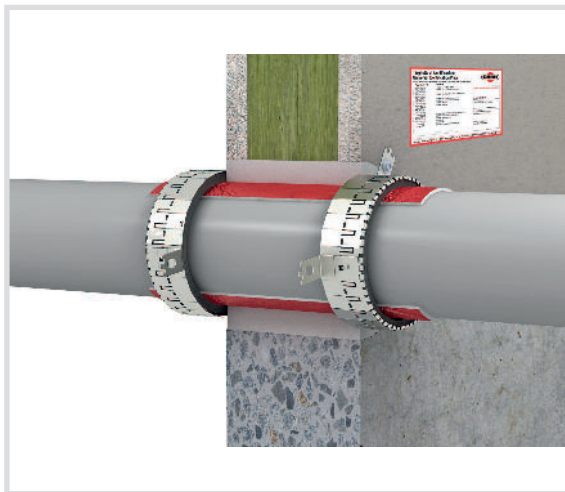
Supply and installation of a protective sleeve for bare metal pipes, with a maximum diameter of 200 mm, consisting of aluminised glass wool mat treated with ablative components capable of maintaining the temperature below the threshold required by the EN 1366-3 standard.

Art. 220906 Identification plate



Technical specifications and advantages

- To identify the crossings of fire protected cables and pipes



Code	Type
220906	In Italian

