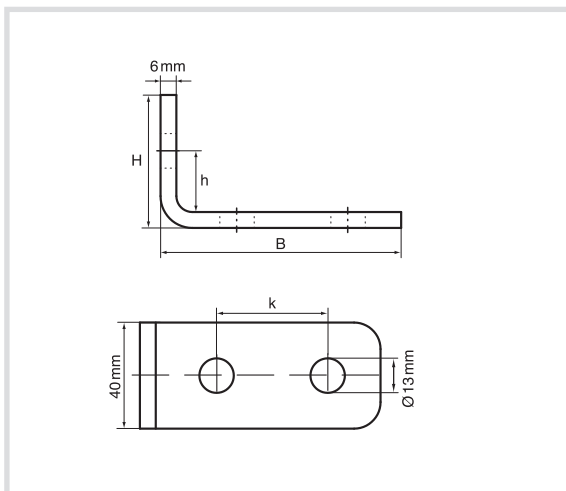


Art. 8600903 90° angle brackets with three holes



*Caratteristiche tecniche e vantaggi*

- Made with S235JR steel
- Hot-dip galvanised
- Slotted hole to simplify attachment



Code	BxH [mm]	Thickness S [mm]	Diameter of holes [mm]	Slotted hole [mm]
<b>8600903</b>	95x57	6,0	13	22x10

