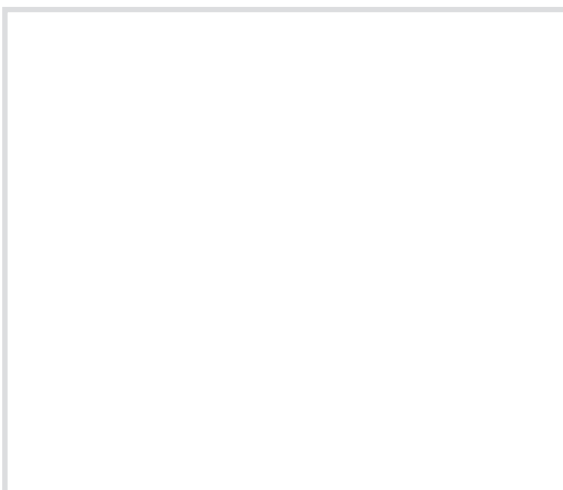
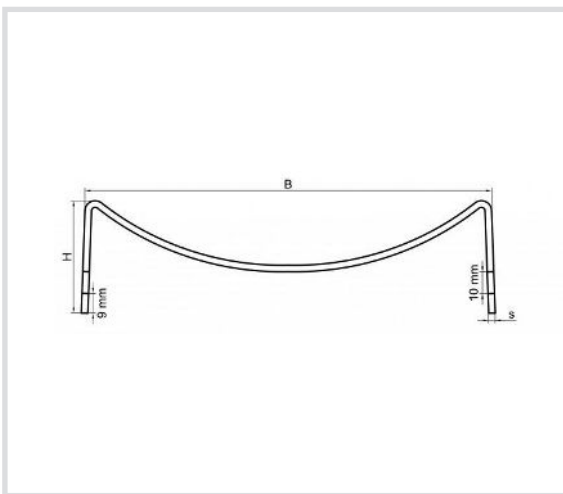


Art. 602X Pipe support saddle for applications on cantilever arms or CorSTRUT fixing rails
- AISI 304



Technical specifications and advantages

- Saddle to rest the pipe on the CorSTRUT fixing rail or cantilever arm and to support any expansion
- It is used to obtain a structure that is integral with the building
- AISI 304 stainless steel, AISI 316 on request
- Normally installed with omega clamp (art. 8075)
- Measurements B, H, s, t, m and b are defined according to the project
- Also available with pre-assembled rubber

Code	D [mm]	D ["]
602X070	68-72	
602X075	74-80	2 1/2
602X090	85-91	3
602X100	99-105	
602X110	108-118	4
602X125	121-127	
602X140	132-153	5
602X168	159-169	6
602X200	198-202	
602X219	216-225	8
602X250	244-250	
602X273	273	10
602X325	315-325	12
602X364	354-364	14
602X408	398-408	16
602X458	448-458	18
602X509	499-509	20

