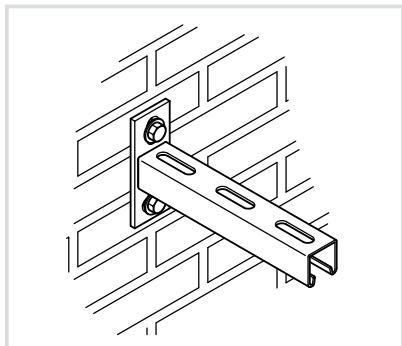
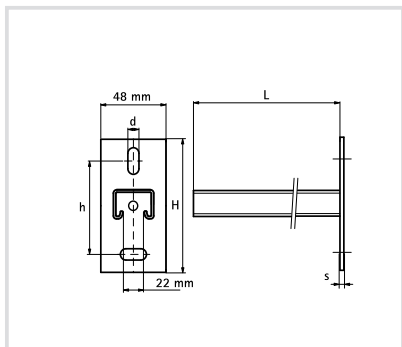


Art. 827xxxC CorSTRUT Cantilever arms hot dip galvanized



Technical features and benefits

- Made of S235JR steel
- Hot galvanized
- CO2 welding
- 90° holes on the plate to simplify assembly



Code	L [mm]	H [mm]	h [mm]	Fixing rail	s [mm]	Holes [mm]
827220C	200	110	70,0	41x21x2,5	5,0	25x11
827230C	300	110	70,0	41x21x2,5	5,0	25x11
827330C	300	130	87,5	41x41x2,0	7,0	30x13
827345C	450	130	87,5	41x41x2,0	7,0	30x13
827360C	600	130	87,5	41x41x2,0	7,0	30x13
827020C	200	130	87,5	41x41x2,5	7,0	30x13
827030C	300	130	87,5	41x41x2,5	7,0	30x13
827045C	450	130	87,5	41x41x2,5	7,0	30x13
827060C	600	130	87,5	41x41x2,5	7,0	30x13
827075C	750	130	87,5	41x41x2,5	7,0	30x13
827100C	1000	130	87,5	41x41x2,5	7,0	30x13
827120C	1200	130	87,5	41x41x2,5	7,0	30x13