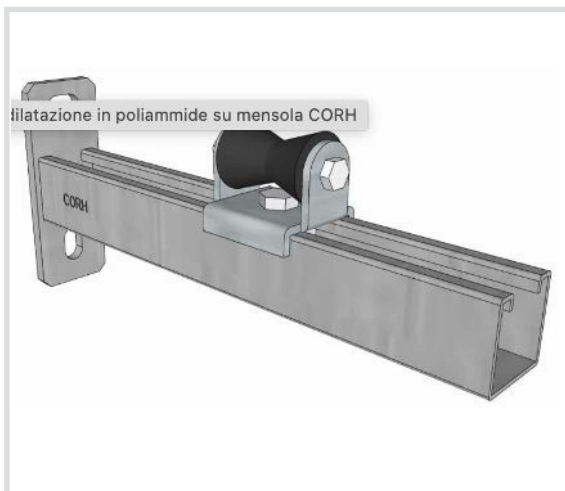


Art. 999 Polyamide roller bracket

Technical features and benefits

- To manage dimensional changes of the pipes caused by temperature
- Easy installations directly on rails
- Suitable for diameters between 3/8 and 3"
- Roller bracket to prevent structural damages on constructions
- The roller bracket allows the pipes to freely expand or contract in response to temperature changes
- Used in a wide range of industrial applications
- For all types of pipes
- Closing bracket available upon request
- Rail support made of galvanized steel, available hot dip galvanized and stainless steel upon request

Code	Pipe dimensions [mm] [mm]
999000	Da 3/8 a 3"

