

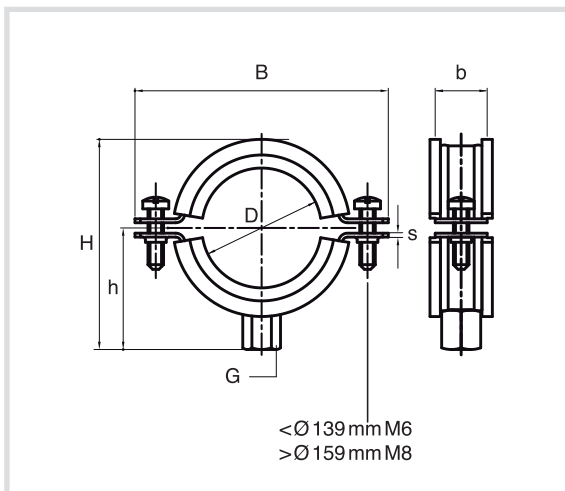
Art. 570 Cipo pipe clamp with rubber lining - M8/M10

WATCH THE VIDEO



Technical specifications and advantages

- Clamp with 2 screws
- Washer pre-inserted to avoid losing the screw
- Screws with non-threaded tip for centring and immediate threading attachment
- DIN-ISO 7051 combined cut with false washer
- Material: S235JR steel
- Galvanised
- Induction welded M8/M10 nut
- EPDM rubber resistant to ageing
- Noise insulation according to DIN 4109
- Can be fastened with the ECO Kit for ECO fixing without disposable plastic in the packaging



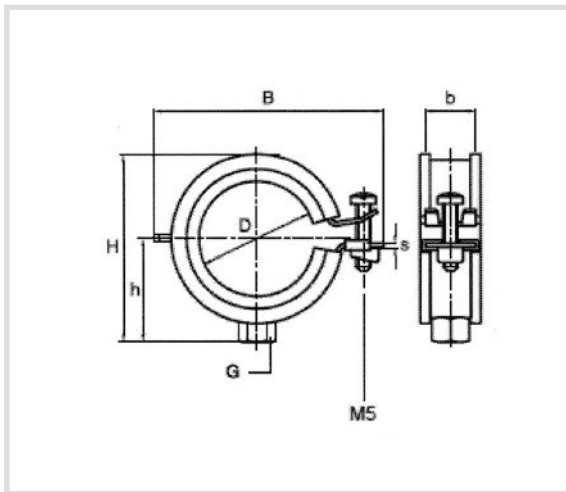
Code	D [mm]	D ["]	D [DN]	G	B [mm]	H [mm]	h [mm]	b x s [mm]	Payload (N)
570014	12-15	1/4	-	M8/M10	61	43	27	20 x 1,50	300
570018	15-18	3/8	10	M8/M10	65	49	33	20 x 1,50	350
570021	20-24	1/2	15	M8/M10	68	52	35	20 x 1,50	350
570027	23-28	3/4	20	M8/M10	75	58	37	20 x 1,50	350
570034	32-36	1"	25	M8/M10	82	63	39	20 x 1,50	350
570042	38-44	1 1/4	32	M8/M10	87	74	43	20 x 1,50	350
570048	44-50	1 1/2	40	M8/M10	95	77	45	20 x 1,50	350
570054	54-58	-	-	M8/M10	101	85	49	20 x 1,50	350
570060	59-65	2"	50	M8/M10	110	91	52	20 x 1,50	350
570070	68-72	-	-	M10	130	88	56	25 x 3,00	1000
570075	74-80	2 1/2	65	M8/M10	131	108	63	25 x 2,50	1000
570090	83-93	3"	80	M8/M10	140	120	65	25 x 2,50	1000
570100	99-105	-	-	M8/M10	155	133	75	25 x 2,50	1000
570110	108-118	4"	100	M8/M10	161	140	77	25 x 2,50	1000
570125	121-127	-	-	M8/M10	183	159	84	25 x 2,50	1000
570140	132-143	5"	125	M8/M10	194	170	90	25 x 2,50	1000
570169	159-169	6"	150	M8/M10	232	202	107	25 x 3,00	1220
570200	198-202	-	-	M8/M10	268	238	125	25 x 3,00	1220
570212	210-212	-	-	M8/M10	273	241	128	25 x 3,00	1220
570219	216-225	8"	200	M8/M10	283	251	132	25 x 3,00	1220
570250	249-254	-	-	M8/M10	320	270	151	25 x 2,50	1000

Art. 5800 KRI pipe clamp with rubber lining - M8

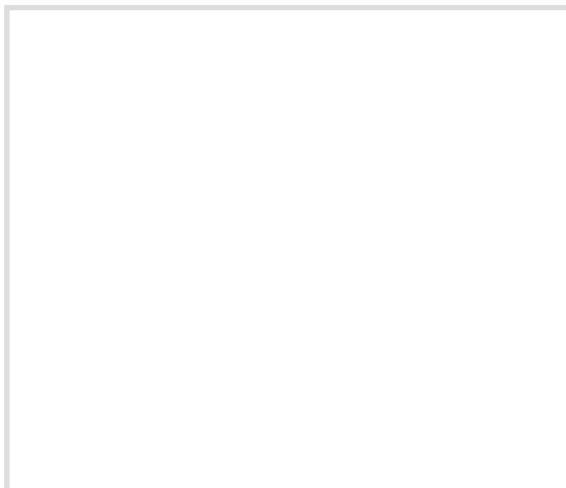


Technical specifications and advantages

- Clamp with a single screw, pre-assembled
- Material: steel
- Galvanised
- Induction welded M8 nut
- EPDM rubber resistant to ageing



Code	D (mm)	D (")	G	B (mm)	H (mm)	h (mm)	b x s (mm)	Payload (N)
580014	12 - 14	1/4	M8	48	35	19	20x1,2	400
580018	15 - 18	3/8	M8	50	37	20	20x1,2	400
580021	20 - 23	1/2	M8	53	37	23	20x1,2	400
580027	25 - 28	3/4	M8	58	48	26	20x1,2	400
580034	32 - 35	1	M8	66	53	28	20x1,2	400
580042	40 - 43	1 1/4	M8	73	63	32	20x1,2	400
580048	44 - 49	1 1/2	M8	79	67	35	20x1,2	400
580054	50 - 55	-	M8	87	79	41	20x1,2	400
580060	57 - 61	2	M8	95	87	45	20x1,2	400

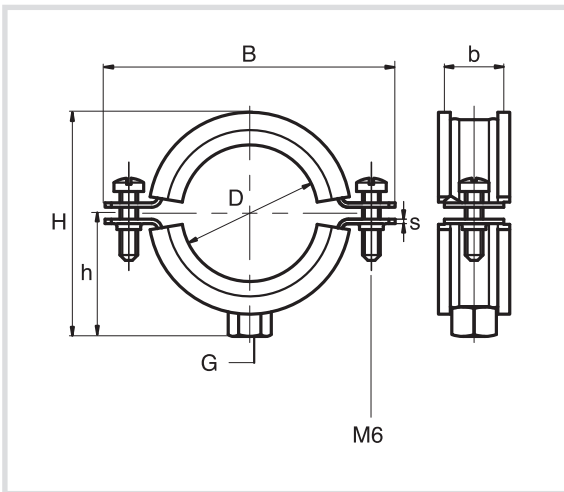


Art. 617H Pipe clamp with rubber lining - M8

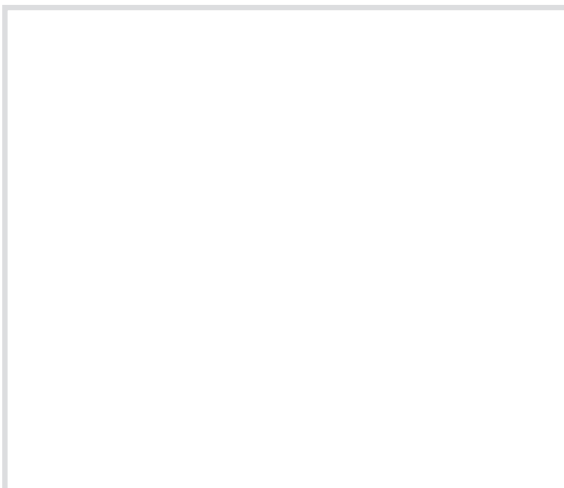


Technical specifications and advantages

- Clamp with two screws, pre-assembled
- Material: steel
- Galvanised
- Induction welded M8 nut
- Pre-assembled washer avoids losing the screw
- EPDM rubber resistant to ageing
- M6 lateral screws



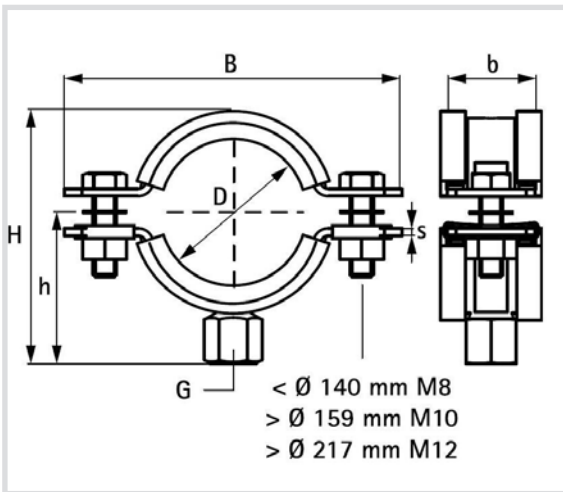
Code	D [mm]	D ["]	G	B [mm]	H [mm]	h [mm]	b x s [mm]	Payload [N]
617H14	11-14	1/4	M8	55	34	20	20x1,5	220
617H18	15-18	3/8	M8	60	35	21	20x1,5	1000
617H21	20-23	1/2	M8	65	36	22	20x1,5	1000
617H27	25-28	3/4	M8	70	43	26	20x1,5	1000
617H34	32-35	1	M8	77	52	30	20x1,5	1000
617H42	40-43	1 1/4	M8	85	56	33	20x1,5	1000
617H48	48-51	1 1/2	M8	92	63	37	20x1,5	1000
617H60	57-63	2	M8	102	73	41	20x1,5	1000



Art. 592 CORH HD with rubber lining - Heavy duty pipe clamps

Specifications and advantages

- Wire-welded nut
- Material: S235JR steel
- Galvanised
- Pre-assembled
- Noise insulation according to DIN 4109
- EPDM rubber resistant to ageing
- Washers on the screws for easy installation
- Also available with silicone coating
- Tested for fire resistance



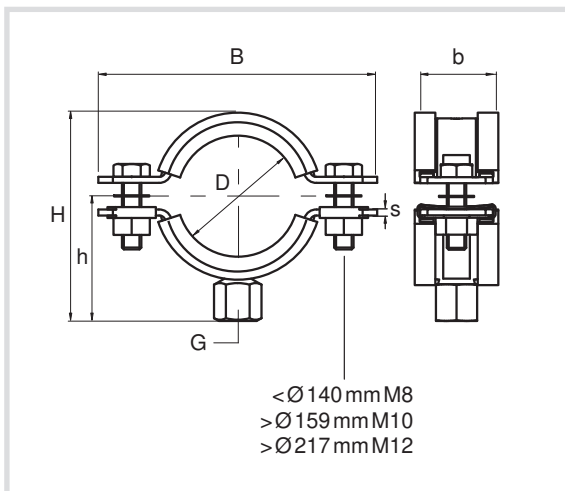
Code	D [mm]	D ["]	D [DN]	G	B [mm]	H [mm]	h [mm]	b x s [mm]	Payload [N]
5921019	15-19	3/8	10	M8/M10	81	55	35	30 x 2,5	1500
5921023	19-23	1/2	15	M8/M10	84	58	37	30 x 2,5	1500
5921029	25-29	3/4	20	M8/M10	91	64	40	30 x 2,5	1500
5921035	30-35	1	25	M8/M10	98	70	43	30 x 2,5	1500
5921045	40-45	1 1/4	32	M8/M10	109	80	48	30 x 2,5	1500
5921051	46-51	1 1/2	40	M8/M10	115	86	51	30 x 2,5	1500
5921059	53-59	-	-	M8/M10	122	93	55	30 x 2,5	1500
5921064	59-64	2	50	M8/M10	129	99	57	30 x 2,5	1500
5922071	65-71	-	-	M10/M12	136	116	71	30 x 3,0	2300
5922076	73-78	2 1/2	65	M10/M12	144	123	74	30 x 3,0	2300
5922085	79-85	-	-	M10/M12	152	130	78	30 x 3,0	2300
5922088	88-93	3	80	M10/M12	159	136	81	30 x 3,0	2300
5922100	100-106	-	-	M10/M12	175	154	90	30 x 3,0	2300
5922116	108-115	4	100	M10/M12	182	160	93	30 x 3,0	2300
5922132	132-140	5	-	M10/M12	207	184	104	30 x 3,0	2300
5922154	148-154	-	-	M10/M12	240	201	117	40 x 4,0	3800
5922169	159-169	6	150	M10/M12	254	223	124	40 x 4,0	3800
5922188	178-188	-	-	M10/M12	274	242	133	40 x 4,0	3800
5922204	194-204	-	-	M10/M12	290	258	141	40 x 4,0	3800
5922213	203-213	-	-	M10/M12	299	267	146	40 x 4,0	3800
5922227	217-227	8	200	M10/M12	322	282	152	40 x 4,0	3800
5922124	124-129	-	-	M12/M16	200	178	102	40 x 4,0	2300
5922140	138-144	5	125	M12/M16	227	180	110	40 x 4,0	3800
5923165	165-171	6	150	M12/M16	254	220	120	40 x 4,0	3800
5926188	178-188	-	-	M16	274	239	130	40 x 4,0	3800
5926204	196-203	-	-	M16	290	255	138	40 x 4,0	3800
5926213	203-213	-	-	M16	299	264	143	40 x 4,0	3800
5926219	219-225	8	200	M12/M16	322	278	150	40 x 4,0	3800
5926250	240-250	-	-	M16	345	302	163	40 x 4,0	3800
5926275	265-275	10	250	M16	367	327	175	50 x 5,0	9200
5926325	315-325	12	300	M16	414	374	198	50 x 5,0	9200
5926364	354-364	14	350	M16	453	412	217	50 x 5,0	9200
5926408	398-408	16	400	M16	497	456	239	50 x 5,0	9200
5926458	448-458	18	450	M16	548	506	264	50 x 5,0	9200
5926509	499-509	20	500	M16	599	557	289	50 x 5,0	9200

Art. 593 CORH HD with rubber lining - Heavy duty pipe clamps - 1/2"



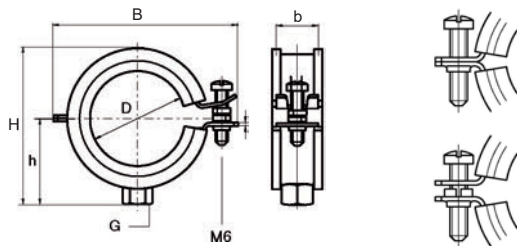
Technical specifications and advantages

- Pre-assembled
- Wire-welded socket
- Material: S235JR steel
- Galvanised
- Noise insulation according to DIN 4109
- EPDM rubber resistant to ageing
- Washers on the screws for easy installation
- Also available with silicone coating
- Tested for fire resistance



Code	D [mm]	D ["]	D [DN]	G	B [mm]	H [mm]	h [mm]	b x s [mm]	Payload [N]
5930019	15 - 19	3/8	10	1/2"	81	50	30	30 x 2,5	1500
5930023	19 - 23	1/2	15	1/2"	84	53	32	30 x 2,5	1500
5930029	25 - 29	3/4	20	1/2"	91	59	35	30 x 2,5	1500
5930035	30 - 35	1	25	1/2"	98	65	38	30 x 2,5	1500
5930045	40 - 45	1 1/4	32	1/2"	109	75	43	30 x 2,5	1500
5930051	46 - 51	1 1/2	40	1/2"	115	86	51	30 x 2,5	1500
5930059	53 - 59	-	-	1/2"	122	88	50	30 x 2,5	1500
5930064	59 - 64	2	50	1/2"	129	94	53	30 x 2,5	1500
5930071	65 - 71	-	-	1/2"	136	102	57	30 x 3,0	2300
5930078	72 - 78	2 1/2	65	1/2"	144	109	60	30 x 3,0	2300
5930085	79 - 85	-	-	1/2"	152	116	64	30 x 3,0	2300
5930092	86 - 92	3	80	1/2"	159	123	68	30 x 3,0	2300
5930109	101 - 109	-	-	1/2"	175	140	74	30 x 3,0	2300
5930116	108 - 116	4	100	1/2"	182	147	79	30 x 3,0	2300
5930133	125 - 133	-	-	1/2"	200	164	86	30 x 3,0	2300
5930140	132 - 140	5	125	1/2"	207	171	91	30 x 3,0	2300
5930169	159 - 169	6	150	1/2"	254	210	110	40 x 4,0	3800
5930188	178 - 188	-	-	1/2"	274	229	120	40 x 4,0	3800
5930204	194 - 204	-	-	1/2"	290	245	128	40 x 4,0	3800
5930213	203 - 213	-	-	1/2"	299	254	133	40 x 4,0	3800
5930227	217 - 227	8	200	1/2"	322	268	140	40 x 4,0	3800
5930250	240 - 250	-	-	1/2"	345	292	153	40 x 4,0	3800
5930275	265 - 275	10	250	1/2"	367	317	165	50 x 5,0	9200
5930325	315 - 325	12	300	1/2"	414	364	188	50 x 5,0	9200
5930364	354 - 364	14	350	1/2"	453	402	207	50 x 5,0	9200
5930408	398 - 408	16	400	1/2"	497	446	229	50 x 4,0	9200
5930458	448 - 458	18	450	1/2"	548	496	254	50 x 5,0	9200
5930509	499 - 509	20	500	1/2"	599	547	279	50 x 5,0	9200

Art. 348 Pipe clamp with rubber for PP-PVC-PE pipes



Specifications and advantages

- Pre-assembled
- Material: steel
- Galvanised
- Noise insulation according to DIN 4109
- Patented locking system
- Green EPDM rubber without plasticisers
- Removable plastic spacers
- Ideal for all plastic pipes
- The internal part of the rubber fixing rail, in contact with the pipe, is smooth to facilitate the sliding of the pipe
- EPDM rubber resistant to ageing



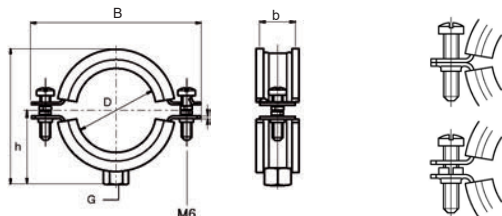
RAI - GZ 656
Cert. No. 2011-14



RAI - GZ 655/B
Cert. No. 2010-24

Code	D [mm]	G	B [mm]	H [mm]	h [mm]	b x s [mm]	Payload [N]
3483018	16	M8	48	40	22	20x1,00	350
3483023	20	M8	55	43	23	20x1,00	350
3483028	25	M8	60	48	26	20x1,00	350
3483035	32	M8	67	57	30	20x1,00	350
3483043	40	M8	75	66	34	20x1,25	420
3483053	50	M8	85	75	37	20x1,25	420

Art. 348 Pipe clamp with rubber for PP-PVC-PE pipes



Technical specifications and advantages

- Pre-assembled
- Made with steel
- Galvanised
- Noise insulation according to DIN 4109
- Ageing-resistant EPDM rubber, green without plasticisers
- Removable plastic spacers
- The internal part of the rubber fixing rail, in contact with the pipe, is smooth to facilitate the sliding of the pipe



RAI - GZ 655/B
Cert. No. 2005-11

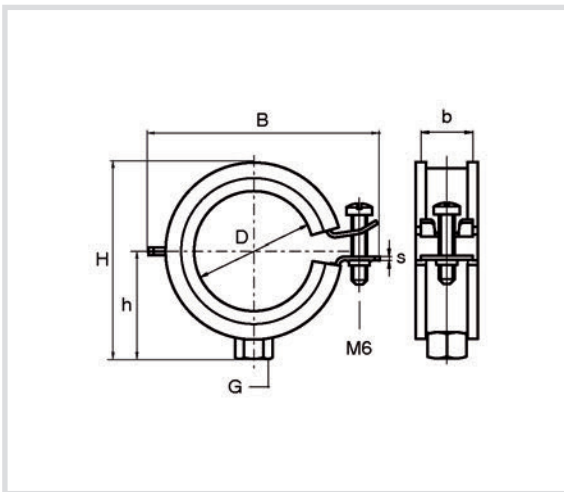
Code	D [mm]	G	B [mm]	H [mm]	h [mm]	b x s [mm]	Payload [N]
3483067	63	M8	109	94	51	20x2,00	580
3483075	75	M8	117	106	55	23x1,50	800
3483090	90	M10	134	120	60	23x2,00	1470
3483110	110	M10	157	140	73	23x2,00	1470
3483160	160	M10	203	188	98	23x2,00	1470

Art. 340 Pipe clamp silicone rubber lining - M8/M10



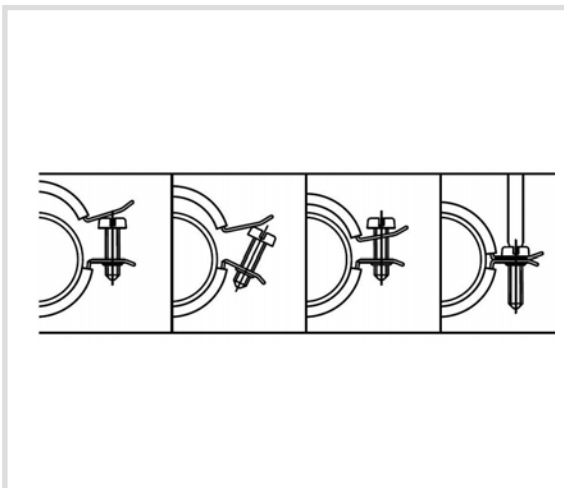
Technical specifications and advantages

- Pre-assembled
- Silicone rubber
- Red
- Material: steel
- Galvanised
- Patented locking system
- Resistant up to 200°C
- Noise insulation according to DIN 4109
- Ageing-resistant rubber
- Tested for fire resistance



RAI -GZ 655/B Cert. No. 2005-08 RAI -GZ 656 Cert. No. 2011-11

Code	D [mm]	D ["]	D [DN]	G	B [mm]	H [mm]	h [mm]	b x s [mm]	Payload [N]
3404018	15 - 18	3/8	10	M8/10	48	44	30	20x1,00	600
3404023	20 - 23	1/2	15	M8/10	55	47	31	20x1,00	600
3404028	25 - 28	3/4	20	M8/10	60	52	34	20x1,00	600
3404035	31 - 35	1	25	M8/10	67	59	38	20x1,00	600
3404043	40 - 43	1 1/4	32	M8/10	75	68	42	20x1,25	800
3404053	48 - 53	1 1/2	40	M8/10	85	74	45	20x1,25	800
3404063	57 - 63	2	50	M8/10	94	86	51	20x1,25	800

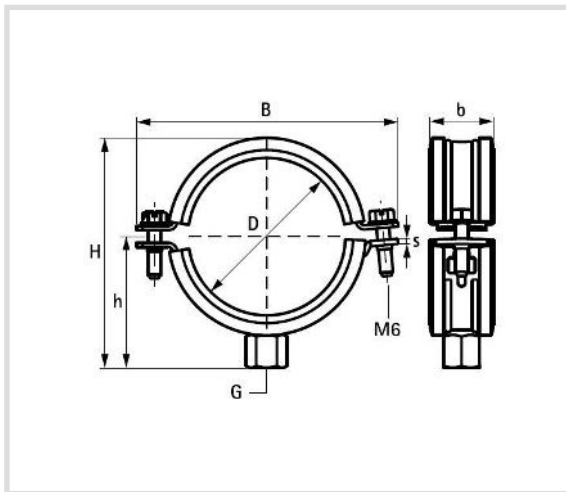


Art. 340 Pipe clamp silicone rubber lining - M8/M10

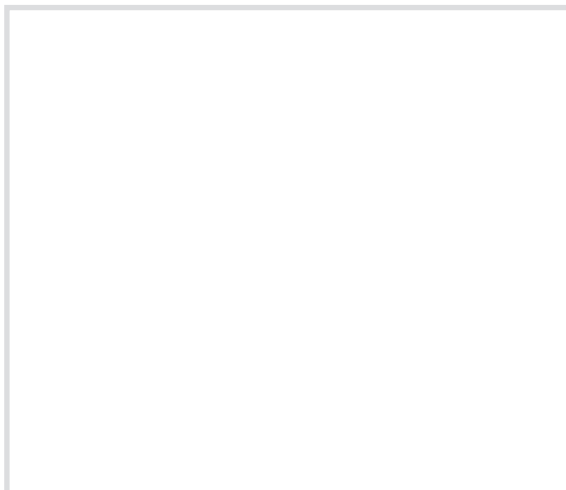


Technical specifications and advantages

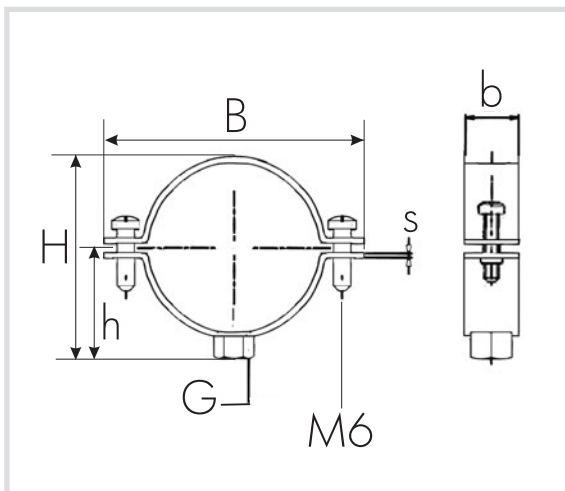
- Pre-assembled
- Silicone rubber
- Material: steel
- Galvanised
- Red
- Resistant up to 200°C
- Isophonic according to DIN 4109 - M8 / M10 nut
- Ageing-resistant rubber
- Tested for fire resistance



Code	D [mm]	D ["]	D [DN]	G	B [mm]	H [mm]	h [mm]	b x s [mm]	Pay/load [N]
3404080	73-80	2 1/2	65	M8/10	126	109	61	23x2,00	930
3404091	83-91	3	80	M8/10	137	121	67	25x2,50	930
3404114	108-114	4	100	M8/10	160	141	79	25x2,50	930
3404141	133-141	5	125	M8/10	189	170	92	25x2,50	930



Art. 619 C più - pipe clamp without hanger bolt and anchor



Technical specifications and advantages

- Pre-assembled
- Drilled nut seat for perfect galvanising
- Screws with non-threaded tip for centring and immediate threading attachment, M6x18 or M6x22
- Washer pre-assembled on the screws
- Material: S235JR steel
- Galvanised
- Closing screws: Combined cut DIN-ISO 7051 galvanised
- M8 induction welded nut
- Can be fastened with the ECO Kit (item 940190) for ECO fixing without disposable plastic in the packaging

Code	D [mm]	Measure. Ø [mm]	G	B [mm]	H [mm]	h	b x s [mm]	Payload [N]
619018	15-18	3/8	M8	54	26	17	20 x 1,5	1500
619021	21-23	1/2	M8	61	32	19	20 x 1,5	1500
619027	26-28	3/4	M8	66	35	21	20 x 1,5	1500
619034	32-35	1"	M8	74	42	24	20 x 1,5	1500
619042	40-43	1 1/4	M8	81	50	28	20 x 2,0	1500
619048	44-50	1 1/2	M8	87	54	31	20 x 2,0	1500
619060	57-61	2"	M8	100	66	37	20 x 2,0	1500

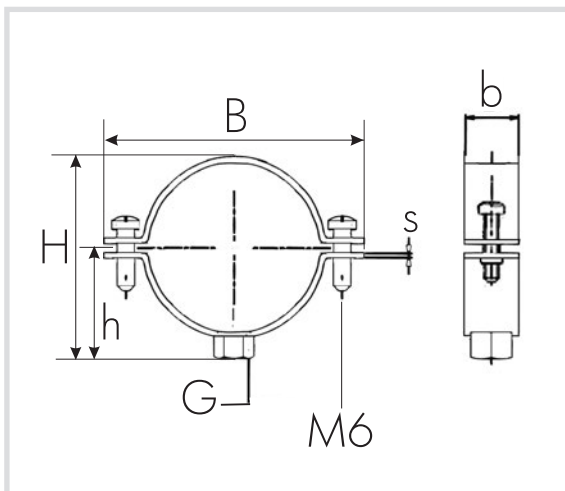


Art. 6202 *Nando* - Pipe clamp with anchor and hanger bolt



Technical specifications and advantages

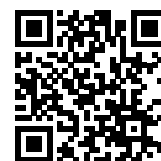
- Drilled nut seat for perfect galvanising
- Non-threaded screw tip for centring and immediate threading attachment
- Washer on the screws
- Pre-assembled
- Material: S235JR steel
- Galvanised
- Locking screws: galvanised DIN-ISO 7051 combined cut
- M8 induction welded nut
- 10 x 60 anchor
- M8 x 90 tie rod with hexagon and torx
- LDPE packs, 2 pcs. per pack
- Anchor with exceptional hold on drilled holes



Code	D [mm]	Measure. [°]	G	B [mm]	H [mm]	h [mm]	bxs [mm]	Payload [N]
620219	15-19	3/8	M8	54	26	17	20 x 2,0	1500
620221	21-23	1/2	M8	61	32	19	20 x 2,0	1500
620227	26-28	3/4	M8	66	35	21	20 x 2,0	1500
620234	32-35	1	M8	74	42	24	20 x 2,0	1500
620242	40-43	1 1/4	M8	81	50	28	20 x 2,0	1500
620248	44-50	1 1/2	M8	87	54	31	20 x 2,0	1500
620260	57-61	2	M8	100	66	37	20 x 2,0	1500



WATCH THE VIDEO

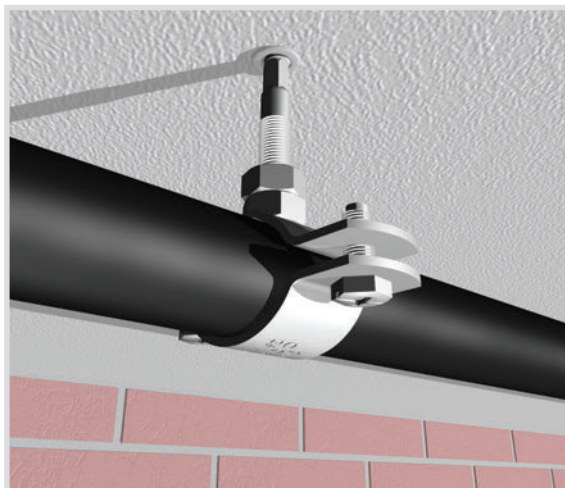
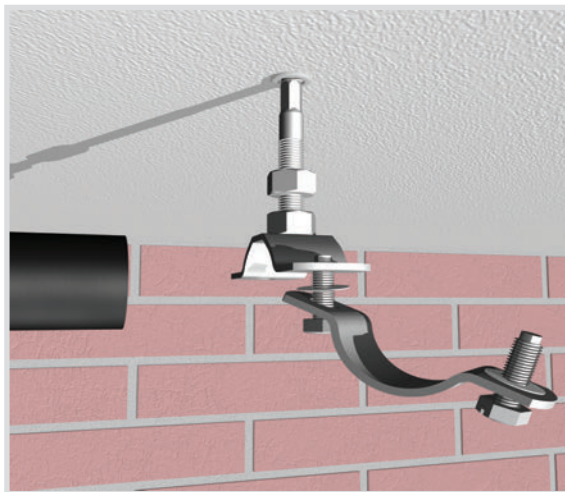
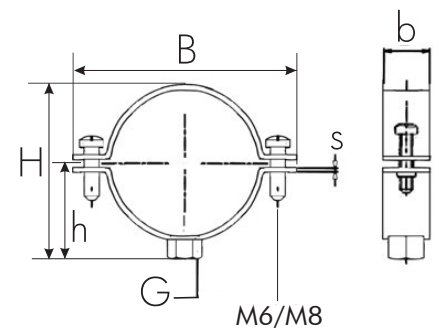


Art. 621 Heavy pipe clamp for steel and polyethylene, PVC, PP pipe without hanger bolt and anchor



Technical specifications and advantages

- Material: galvanised steel S235JR
- Closing screws: Combined cut DIN-ISO 7051 galvanised
- Screw M6x22 - M8x35
- Pre-assembled
- Can be fastened with the ECO Kit for fastening without disposable plastic in the packaging



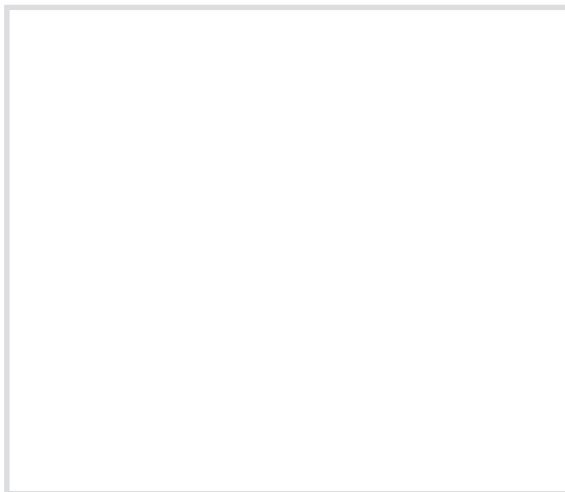
Code	D [mm]	D ["]	G	B [mm]	H [mm]	h [mm]	b xs [mm]	Payload [N]
621040	40	1 1/4	M10	78	52	30	30 x 2,50	1470
621050	50	1 1/2	M10	90	59	33	30 x 2,50	1470
621063	63	2	M10	103	73	41	30 x 2,50	1470
621075	74-81	2 1/2	M10	109	106	57	25 x 3,00	1650
621080	80	-	M10	115	108	60	30 x 2,50	1470
621090	85-91	3	M10	147	109	74	25 x 3,00	1650
621100	98-106	3 1/2	M10	139	111	60	30 x 2,50	1850
621110	108-115	4	M10	171	121	65	25 x 3,00	1850
621125	124-133	-	M10	164	139	74	30 x 2,50	1850
621140	132-141	5	M10	180	150	79	30 x 2,50	1850
621160	159-169	6	M10	200	170	90	30 x 2,50	1850
621200	192-202	-	M10	239	211	109	30 x 2,50	1850
621250	250	-	M10	342	245	126	30 x 3,00	2940
621315	315	12	M10	420	310	156	30 x 3,00	2940

Art. 6215 Heavy pipe clamp for steel and PE, PVC, PP with 1/2 socket diam.1/2"

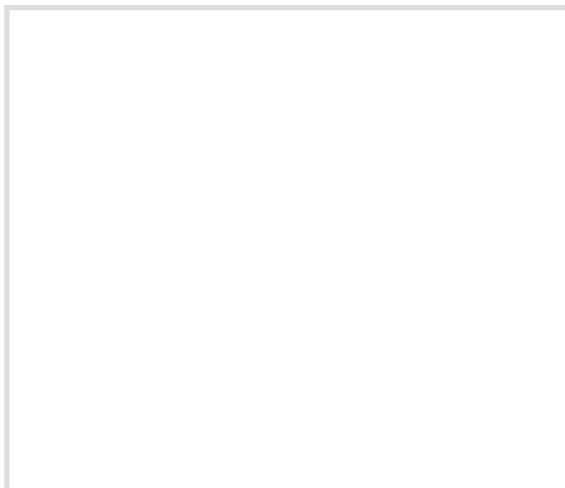


Technical specifications and advantages

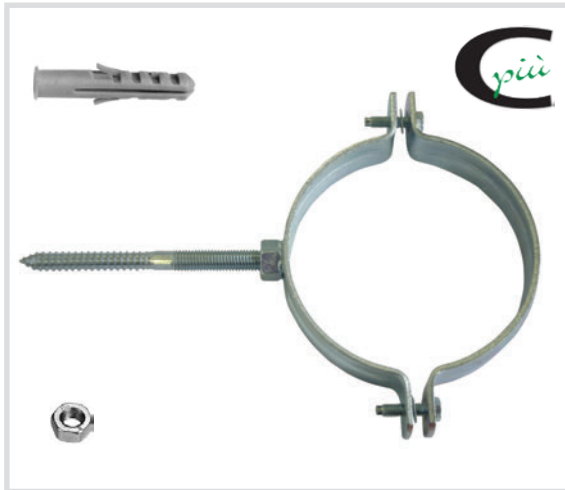
- Material: galvanised steel S235JR
- Locking screws: galvanised DIN-ISO 7051 combined cut
- Half socket diameter 1/2
- Pre-assembled



Code	Measurements Ø [mm]	Screw (Ø x L) [mm]	Width x Thickness [mm]	Payload [N]
621540	40	M6 x 22	30 x 2,50	1470
621550	50	M6 x 22	30 x 2,50	1470
621563	63	M6 x 22	30 x 2,50	1470
621575	75	M6 x 22	30 x 2,50	1850
621580	80	M6 x 22	30 x 2,50	1470
621590	90	M6 x 22	30 x 2,50	1850
621591	100	M6 x 22	30 x 2,50	1470
621593	110	M6 x 22	25 x 3,00	1850
621595	125	M6 x 22	30 x 2,50	1470
621596	140	M6 x 22	30 x 2,50	1470
621597	160	M6 x 22	30 x 2,50	1470
621598	200	M6 x 22	30 x 2,50	1470
621600	250	M8 x 35	30 x 3,00	2940
621603	315	M8 x 35	30 x 3,00	2940

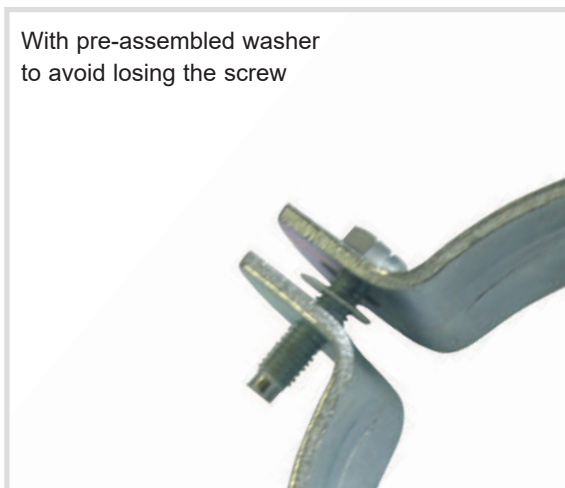
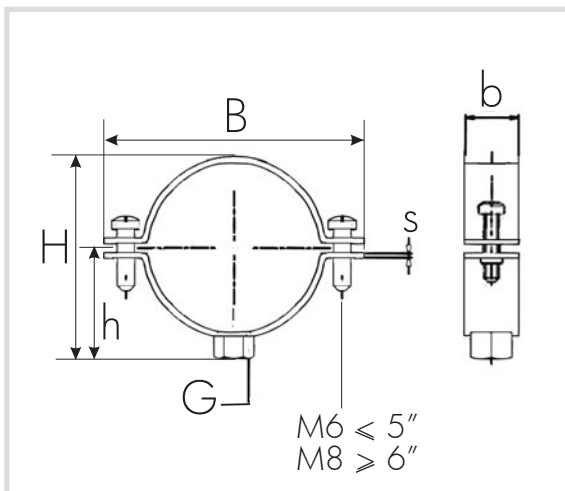


Art. 622 Heavy pipe clamp for steel and PE, PVC, PP with hanger bolt and anchor



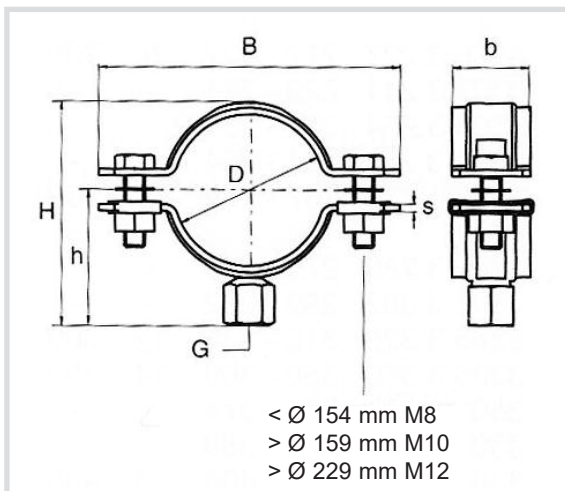
Technical specifications and advantages

- Non-threaded screw tip for centring and immediate threading attachment
- Pre-assembled
- Made of galvanised steel
- Washer on the screws
- Closing screw: combined cut DIN-ISO 7051 galvanised M6 up to diam.141, M8 from diam.159 up to 315
- M10 nut
- 12 x 60 anchor
- M10 x 120 tie rod with hexagon and torx



Code	D [mm]	D ["]	G	B [mm]	H [mm]	h [mm]	bxs [mm]	Payload [N]
622040	40	1 1/4	M10	78	52	30	30 x 2,5	1470
622050	50	1 1/2	M10	90	59	33	30 x 2,5	1470
622063	63	2	M10	103	73	41	30 x 2,5	1470
622075	74-81	2 1/2	M10	109	106	57	25 x 3,0	1850
622080	80	-	M10	115	107	60	25 x 3,0	1850
622090	85-91	3	M10	147	108	74	25 x 3,0	1850
622100	98-106	3 1/2	M10	139	111	60	25 x 3,0	1850
622110	108-115	4	M10	171	121	65	25 x 3,0	1850
622125	124-133	-	M10	164	139	74	25 x 3,0	1850
622140	132-141	5	M10	180	150	79	25 x 3,0	1850
622160	159-169	6	M10	200	170	90	25 x 3,0	1850
622200	192-202	-	M10	239	211	109	25 x 3,0	1850
622250	250	-	M10	342	245	126	30 x 3,0	2940
622315	315	12	M10	420	310	156	30 x 3,0	2940



Art. 590 CORH HD extra heavy duty pipe clamp without rubber

Technical specifications and advantages

- Wire-welded nut or socket
- Material: S235JR steel
- Galvanised
- Pre-assembled
- Possibility of connection with nut or socket
- Tested for fire resistance
- Washers on the screws for easy installation



Code	D [mm]	D ["]	D [DN]	G	B [mm]	H [mm]	h [mm]	b x s [mm]	Fa,z [N]
5901019	15-19	3/8	10	M8/M10	75	46	32	30 x 2,5	2100
5901023	19-23	1/2	15	M8/M10	78	50	34	30 x 2,5	2100
5901030	25-30	3/4	20	M8/M10	84	57	38	30 x 2,5	2100
5901036	31-36	1	25	M8/M10	91	63	41	30 x 2,5	2100
5901042	37-42	-	-	M8/M10	98	69	44	30 x 2,5	2100
5901045	40-45	1 1/4	32	M8/M10	101	72	45	30 x 2,5	2100
5901052	47-52	1 1/2	40	M8/M10	109	79	49	30 x 2,5	2100
5901058	53-58	-	-	M8/M10	115	85	52	30 x 2,5	2100
5901065	59-65	2	50	M8/M10	122	92	55	30 x 2,5	2100
5901071	66-71	-	-	M8/M10	129	103	62	30 x 2,5	2100
5902078	72-78	2 1/2	65	M10/M12	136	115	70	30 x 3,0	4000
5902085	79-85	-	-	M10/M12	144	122	75	30 x 3,0	4000
5902092	86-92	3	80	M10/M12	152	129	78	30 x 3,0	4000
5902106	98-106	-	-	M10/M12	165	143	85	30 x 3,0	4000
5902116	108-116	4	100	M10/M12	175	153	90	30 x 3,0	4000
5902133	125-133	-	-	M10/M12	193	170	99	30 x 3,0	4000
5902140	132-140	5	125	M10/M12	200	177	102	30 x 3,0	4000
5902154	148-154	-	-	M10/M12	215	191	109	30 x 3,0	4000
5902169	159-169	6	150	M10/M12	240	207	117	40 x 4,0	8200
5902183	173-183	-	-	M10/M12	254	221	124	40 x 4,0	8200
5902202	192-202	-	-	M10/M12	274	240	133	40 x 4,0	8200
5902219	208-219	-	-	M10/M12	290	256	141	40 x 4,0	8200
5902227	217-227	8	200	M10/M12	299	265	146	40 x 4,0	8200
5903169	159-169	-	-	M16	240	207	117	40 x 4,0	8200
5903183	173-183	-	-	M16	254	221	124	40 x 4,0	8200
5903202	192-202	-	-	M16	274	240	133	40 x 4,0	8200
5903227	217-227	8	200	M16	299	263	144	40 x 4,0	8200
5903241	229-241	-	-	M16	322	277	151	40 x 4,0	8200
5903254	244-254	-	-	M16	335	290	158	40 x 4,0	8200
5903264	254-264	-	-	M16	345	300	163	40 x 4,0	8200
5903279	267-279	10	250	M16	360	315	170	40 x 4,0	8200
5903289	279-289	-	-	M16	367	324	175	50 x 5,0	12000
5903302	292-302	-	-	M16	380	337	181	50 x 5,0	12000
5903325	315-325	12	300	M16	403	358	193	50 x 5,0	12000
5903360	350-360	14	350	M16	439	395	210	50 x 5,0	12000
5903374	364-374	-	-	M16	453	409	217	50 x 5,0	12000
5903389	379-389	-	-	M16	468	424	225	50 x 5,0	12000
5903408	398-408	16	400	M16	487	443	234	50 x 5,0	12000
5903418	408-418	16	400	M16	487	443	234	50 x 5,0	12000
5903436	424-436	-	-	M16	515	471	248	50 x 5,0	12000
5903458	448-458	18	450	M16	537	493	259	50 x 5,0	12000
5903509	499-509	20	500	M16	588	544	285	50 x 5,0	12000

Art. 591 CORH HD extra heavy duty pipe clamp without rubber - 1/2"

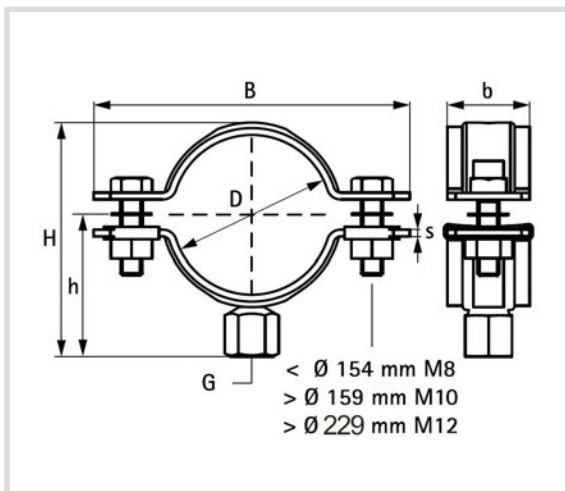


Technical specifications and advantages

- Wire-welded nut or socket
- Material: S235JR steel
- Galvanised
- Pre-assembled
- Possibility of connection with nut or socket
- Tested for fire resistance
- Washers on the screws for easy installation



RAI - GZ 656
Cert. No. 2011-05



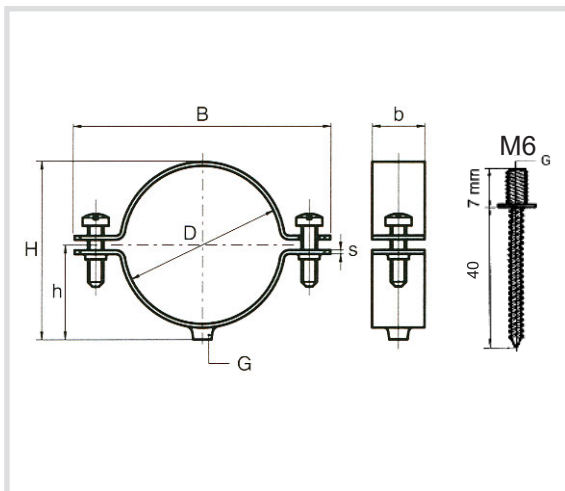
Code	D [mm]	D ["]	D [DN]	G ["]	B [mm]	H [mm]	h [mm]	b x s [mm]	Fa,z [N]
5910019	15-19	3/8	10	1/2	75	43	29	30 x 2,5	2100
5910023	19-23	1/2	15	1/2	78	47	31	30 x 2,5	2100
5910030	25-30	3/4	20	1/2	84	54	35	30 x 2,5	2100
5910036	31-36	1	25	1/2	91	60	38	30 x 2,5	2100
5910042	37-42	-	-	1/2	98	66	40	30 x 2,5	2100
5910045	40-45	1 1/4	32	1/2	101	69	42	30 x 2,5	2100
5910052	47-52	1 1/2	40	1/2	109	76	46	30 x 2,5	2100
5910058	53-58	-	-	1/2	115	82	48	30 x 2,5	2100
5910065	59-65	2	50	1/2	122	89	52	30 x 2,5	2100
5910071	66-71	-	-	1/2	129	95	55	30 x 2,5	2100
5910078	72-78	2 1/2	65	1/2	136	103	59	30 x 3,0	4000
5910085	79-85	-	-	1/2	144	110	63	30 x 3,0	4000
5910092	86-92	3	80	1/2	152	117	66	30 x 3,0	4000
5910106	98-106	-	-	1/2	165	131	73	30 x 3,0	4000
5910116	108-116	4	100	1/2	175	141	78	30 x 3,0	4000
5910133	125-133	-	-	1/2	193	158	87	30 x 3,0	4000
5910140	132-140	5	125	1/2	200	165	90	30 x 3,0	4000
5910154	148-154	-	-	1/2	215	179	97	30 x 3,0	4000
5910169	159-169	6	150	1/2	240	195	105	40 x 4,0	8200
5910183	173-183	-	-	1/2	254	209	112	40 x 4,0	8200
5910202	192-202	-	-	1/2	274	240	133	40 x 4,0	8200
5910219	208-219	-	-	1/2	290	244	130	40 x 4,0	8200
5910227	217-227	8	200	1/2	299	253	134	40 x 4,0	8200
5910254	244-254	-	-	1/2	335	280	148	40 x 4,0	8200
5910279	267-279	10	250	1/2	360	315	170	40 x 4,0	8200
5910289	279-289	-	-	1/2	367	324	175	50 x 5,0	12000
5910325	315-325	12	300	1/2	403	348	183	50 x 5,0	12000
5910360	350-360	14	350	1/2	439	358	193	50 x 5,0	12000
5910408	398-408	16	400	1/2	487	433	224	50 x 5,0	12000
5910436	424-436	-	-	1/2	515	461	238	50 x 5,0	12000
5910458	448-458	18	450	1/2	537	483	249	50 x 5,0	12000
5910509	499-509	20	500	1/2	588	534	275	50 x 5,0	12000

Art. 608T Light clamp including hanger bolt and anchor



Technical specifications and advantages

- Pre-assembled
- Material: steel
- Galvanised
- Side screws M5x12
- M6 attachment
- Includes M6x40 tie rod and 8x40 anchor
- In a handy 10-piece LPDE pack



Code	G	D [mm]	H [mm]	B [mm]	h [mm]	b x s [mm]
608T10	M6	10	24	35	10	11x1,5
608T12	M6	12	27	37	11	11x1,5
608T14	M6	14	24	39	12	11x1,5
608T16	M6	16	31	41	13	11x1,5
608T18	M6	18	32	42	14	11x1,5
608T20	M6	20	35	45	15	11x1,5
608T22	M6	22	37	47	16	11x1,5
608T26	M6	25-26	40	51	19	11x1,5
608T28	M6	28	43	53	20	11x1,5
608T32	M6	32	46	57	21	11x1,5
608T40	M6	38-40	55	65	25	11x1,5
608T42	M6	42	56	67	27	11x1,5
608T50	M6	50	65	78	30	11x1,5
608T60	M6	60	79	91	35	11x1,5

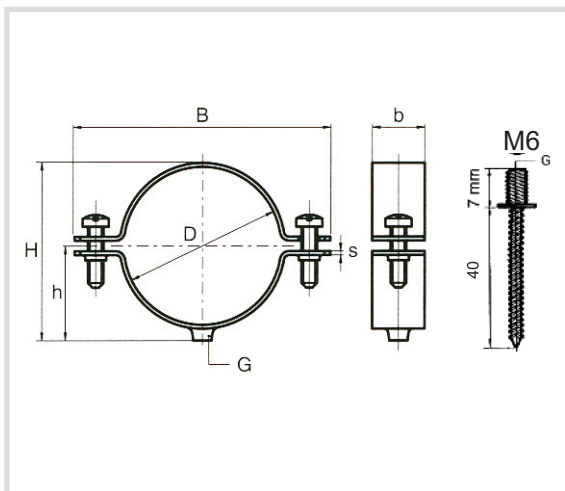


Art. 6088 Copper pipe clamp



Technical specifications and advantages

- Pre-assembled
- Material: pickled copper, class DHP R2
- Side screws M5 x 12
- M6 attachment
- Includes M6x40 hanger bolt and 8x40 anchor
- In a handy 10-piece LDPE pack



Code	D [mm]	G	H [mm]	B [mm]	h [mm]	b x s [mm]
608810	10	M6	19	37	10	11x1,5
608812	12	M6	24	45	13	11x1,5
608814	14	M6	24	45	13	11x1,5
608816	15-16	M6	24	45	15	11x1,5
608818	18	M6	27	45	14	11x1,5
608822	22	M6	28	46	16	11x1,5
608828	28	M6	35	55	20	11x1,5
608835	35	M6	42	68	25	11x1,5
608842	42	M6	50	71	28	11x1,5
608854	54	M6	64	93	33	11x1,5

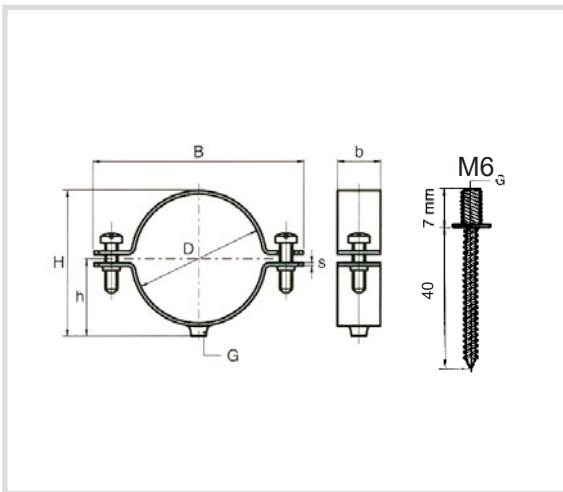


Art. 6089 Nickel-plated copper pipe clamp



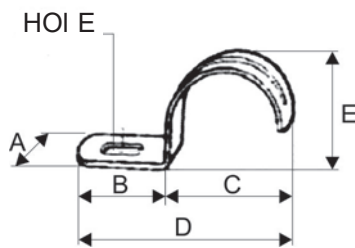
Technical specifications and advantages

- Pre-assembled
- Material: nickel plated copper
- Includes M6x40 tie rod and 8x40 anchor
- Side screws M5x12 in nickel-plated brass
- M6 attachment
- LPDE packs, 10 complete clamps per pack



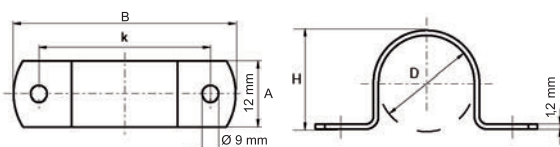
Code	D [mm]	G	H [mm]	B [mm]	h [mm]	b x s [mm]
608910	10	M6	24	35	10	11 x 1,5
608912	12	M6	27	37	11	11 x 1,5
608914	14	M6	24	39	12	11 x 1,5



Art. 601 Pipe clip

Technical specifications and advantages

- Material: steel
- Galvanised

Code	D [mm]	A [mm]	B [mm]	C [mm]	D [mm]	E [mm]	Hole [mm]	Thickness [mm]
601010	10	14	18	14	34	12	6,5x12,5	1,2
601012	12	14	20	17	37	14	6,5x12,5	1,2
601014	14	14	20	19	39	17	6,5x12,5	1,2
601016	16	14	21	23	42	21	6,5x12,5	1,2
601018	18	14	21	23	43	17	6,5x12,5	1,2
601020	20	14	21	23	41	18	6,5x12,5	1,2
601022	22	14	21	24	45	23	6,5x12,5	1,2
601025	25-26	14	22	28	50	26	6,5x12,5	1,2
601028	28	14	22	32	54	28	6,5x12,5	1,2
601032	32	15	24	36	60	32	6,5x12,5	1,8
601040	40	15	24	42	66	38	6,5x12,5	1,8
601050	50	15	24	54	76	50	6,5x12,5	1,8
601060	60	15	24	64	88	60	6,5x12,5	1,8

Art. 605 Conduit clip

Technical specifications and advantages

- Material: steel
- Galvanised

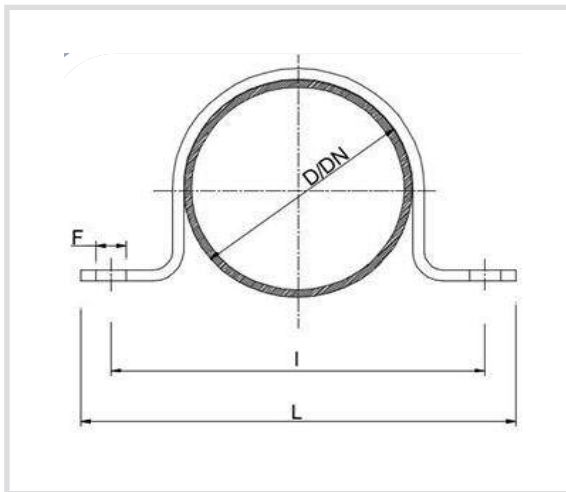
Code	D [mm]	B [mm]	H [mm]	k [mm]	Payload [N]
605010	10	42	10	31	3500
605012	12	50	13	32	3500
605014	14	50	14	32	3500
605016	16	55	16	34	3500
605018	18	55	18	36	3500
605020	20	56	20	38	3500
605022	22	62	22	47	3500
605025	25-26	68	26	47	3500
605028	28	72	30	50	3500
605032	32	72	32	54	3500
605040	40	85	40	61	3500
605050	50	96	52	80	3500
605060	60	98	54	82	3500

Art. 6015 Omega clamp



Technical specifications

- Material: S235JR steel
- Galvanised
- Also available with pre-assembled rubber
- Other sizes available on request

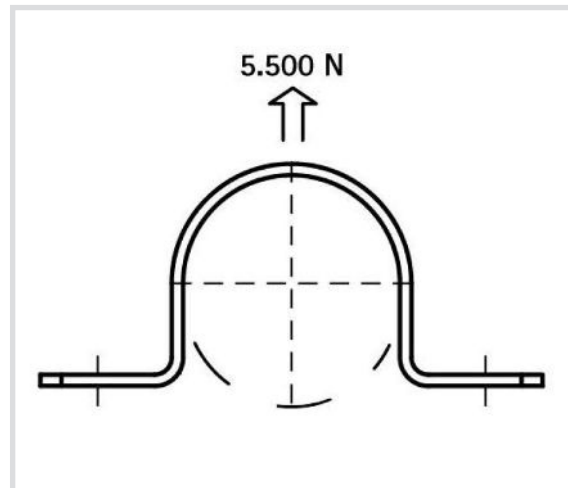


Code	Code with rubber	D [mm]	D ["']	DN [mm]	flat [mm]	L [mm]	I [mm]	F [mm]
601518	601518G	17,2	3/8	12	25x3	70	45	7
601521	601521G	21,5	1/2	15	25x3	75	50	7
601527	601527G	26,9	3/4	20	30x3	83	58	7
601534	601534G	33,7	1	25	30x3	86	51	7
601542	601542G	42,5	1 1/4	32	30x3	100	75	7
601548	601548G	48,0	1 1/2	40	30x3	104	79	7
601560	601560G	60,3	2	50	30x3	121	96	7
<hr/>								
6015075	6015075G	76,1	2 1/2	65	35x3	144	115	9
6015089	6015089G	88,9	3	80	35x3	161	132	9
6015114	6015114G	114,3	4	100	40x4	194	165	9
6015140	6015140G	139,7	5	125	40x4	219	190	9
6015168	6015168G	168,3	6	150	40x4	254	225	9
6015219	6015219G	219,1	8	200	50x5	315	275	11
6015273	6015273G	273	10	250	50x5	369	329	11

Other sizes available on request



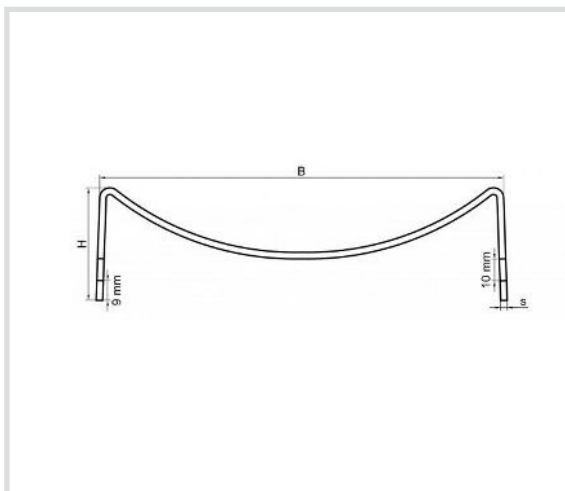
Available on request



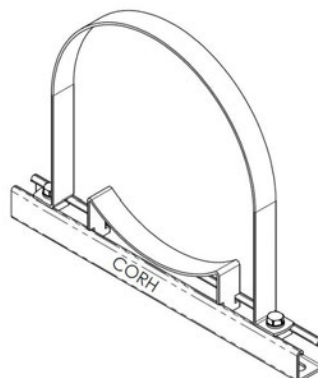
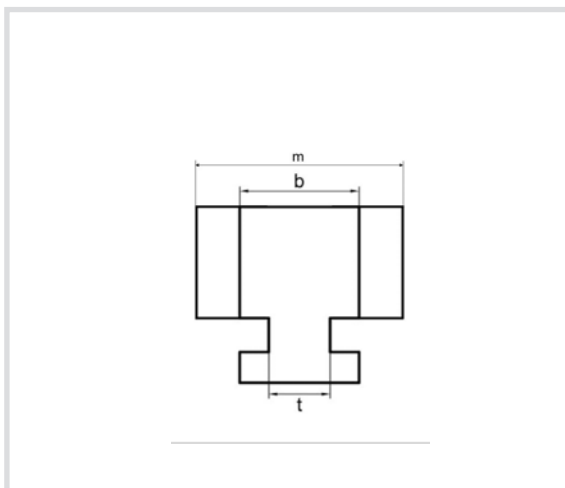
Art. 602 Pipe support saddle

Technical specifications

- Saddle to rest the pipe on the CorSTRUT fixing rail or cantilever arm and to facilitate any expansion
- It is used to obtain a structure that is integral with the building
- Electrolytic or hot galvanising
- Normally installed with omega clamp (item 6015)
- Measurements B, H, s, m, t and b are defined according to the project
- Also available with pre-assembled rubber



Code	D [mm]	D ["]
602070	68-72	
602075	74-80	2 1/2
602090	85-91	3
602100	99-105	
602110	108-118	4
602125	121-127	
602140	132-153	5
602168	159-169	6
602200	198-202	
602219	216-225	8
602250	244-250	
602273	273	10
602325	315-325	12
602364	354-364	14
602408	398-408	16
602458	448-458	18
602509	499-509	20



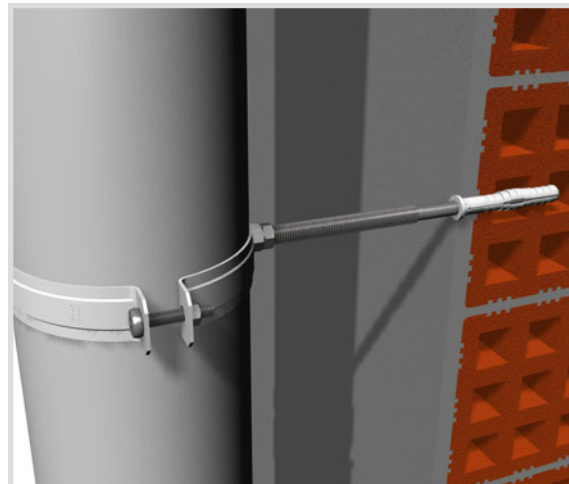
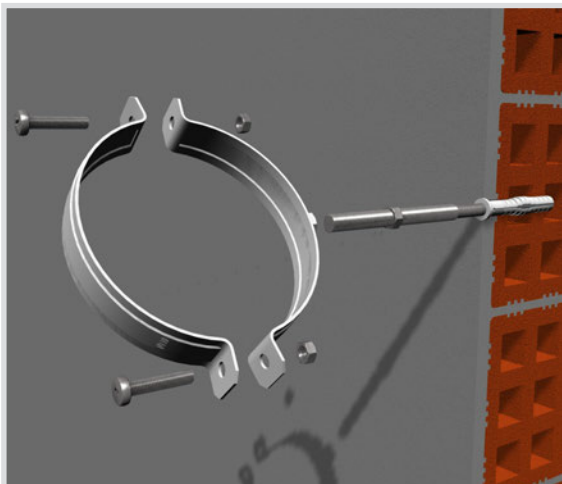
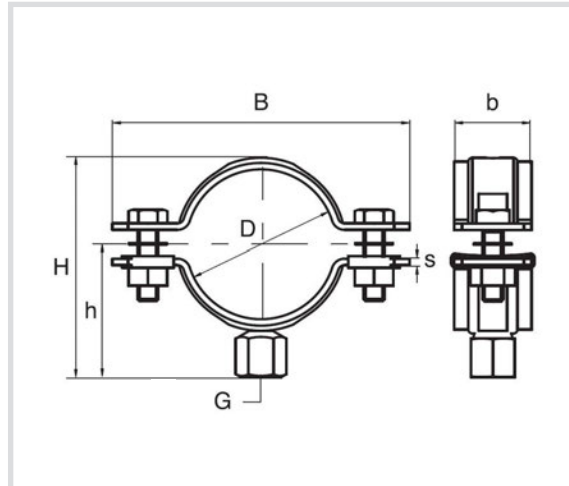
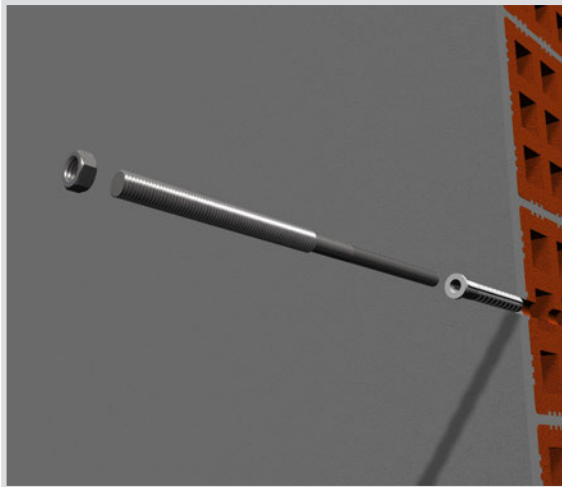
Art. 648 White coated steel clamp for flue pipes

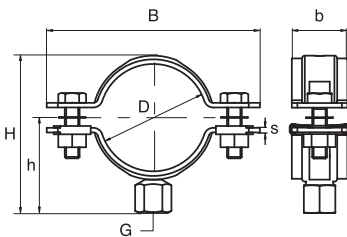


Technical specifications and advantages

- Material: galvanised and painted steel
- M8 nut
- LDPE packs, 2 pieces per pack
- 10x70 anchor
- Hanger bolt M8x200

Code	Measure. Ø [mm]	B [mm]	H [mm]	h [mm]	b x s [mm]	Payload [N]
648060	60	100	68	35	24 x 1,5	255
648080	76 - 80	101	78	42	24 x 1,5	255
648100	100	150	98	52	24 x 1,5	255
648110	110 - 120	168	104	57	24 x 1,5	255
648125	125 - 130	185	110	63	24 x 1,5	255
648140	140 - 150	203	132	70	24 x 1,5	255
648160	160	228	145	80	24 x 1,5	255



Art. 648N Stovepipe clamp - black

Technical specifications and advantages

- Material: steel
- Galvanised and painted
- M8 nut
- LDPE packs, 2 pieces per pack
- 10x60 anchor
- Hanger bolt M8x180

Code	Measure. Ø [mm]	B [mm]	H [mm]	h [mm]	b x s [mm]	Payload [N]
648N060	60	-	-	-	24 x 1,5	255
648N080	76 - 80	101	78	42	24 x 1,5	255
648N100	100	150	98	52	24 x 1,5	255

Art. 647 Clamp for telescopic smoke pipe

Technical specifications and advantages

- Suitable for all diameters up to 200
- Material: steel
- Galvanised, painted white

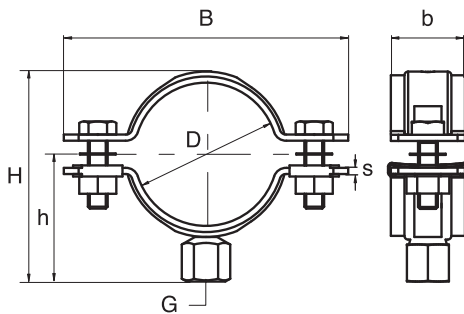
Code	Measurements Ø [mm]	Tie rod Ø x L	Anchor Ø x L
647200	80 - 140	18 x 0,5	8 x 40
647240	140 - 200	18 x 0,5	8 x 40

Art. 640 Galvanised clamp for downpipe

Technical specifications and advantages

- Made of steel
- Ribbed and galvanised
- M8 x 90 hanger bolt, 10 x 60 anchor
- LDPE packs, 2 pieces per pack

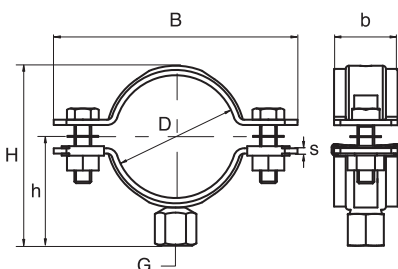
Code	Measure. Ø [mm]	G	B [mm]	H [mm]	h [mm]	b x s [mm]
640080	80	M8	126	86	46	25 x 0,6
640100	100	M8	144	106	55	25 x 0,6
640120	120	M8	173	122	64	25 x 0,6


Art. 645 Pre-painted clamp for downpipe with screw and anchor

Technical specifications and advantages

- Material: steel
- Ribbed, galvanised and painted
- M8 x 90 hanger bolt, 10 x 60 anchor
- LDPE packs, 2 pieces per pack

Codice	Measure. Ø [mm]	G	B [mm]	H [mm]	h [mm]	b x s [mm]
645080	80	M8	126	86	46	25 x 0,6
645100	100	M8	144	106	55	25 x 0,6
645120	120	M8	173	122	64	25 x 0,6



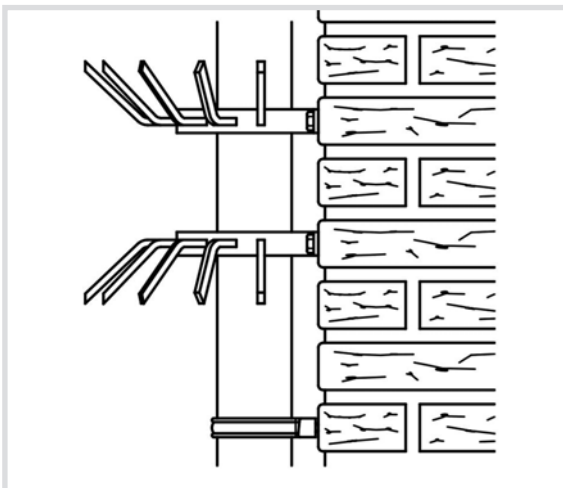
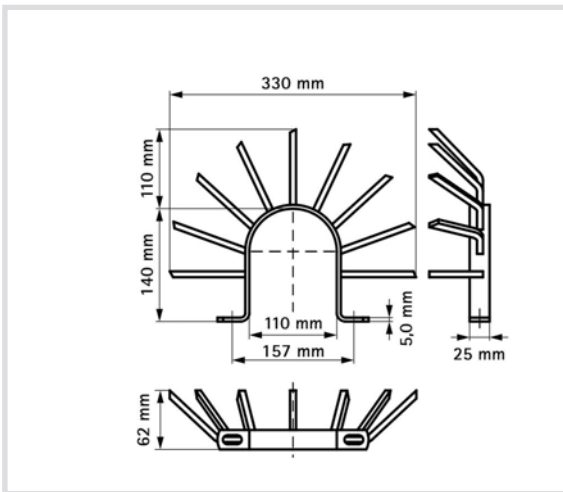
Art. 419 Anti-intrusion pipe clamp



Specifications and advantages

- To be installed in the presence of gutters
- Fit 2 clamps around the pipe: one turned upwards, the other downwards
- Material: steel
- Hot dipped galvanised

Code	Measurements Ø [mm]
419000	For pipes up to diam.110



Art. 603 Sprinkler system pipe clamp FM-UL

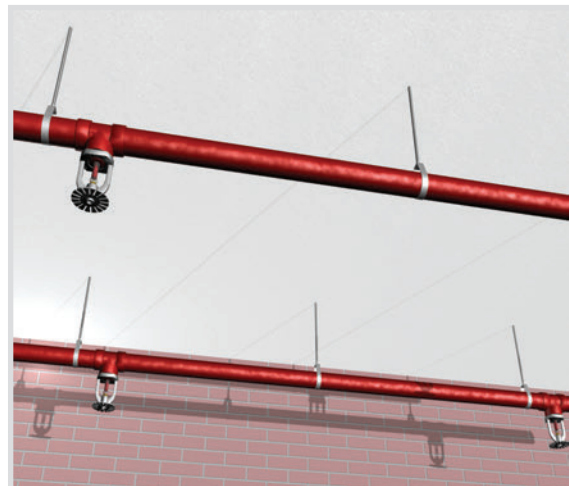
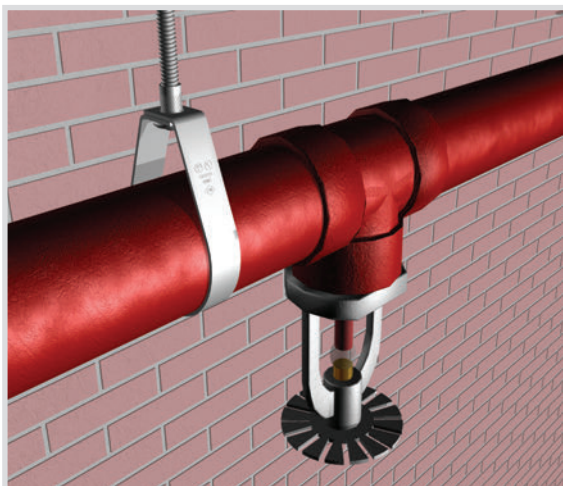
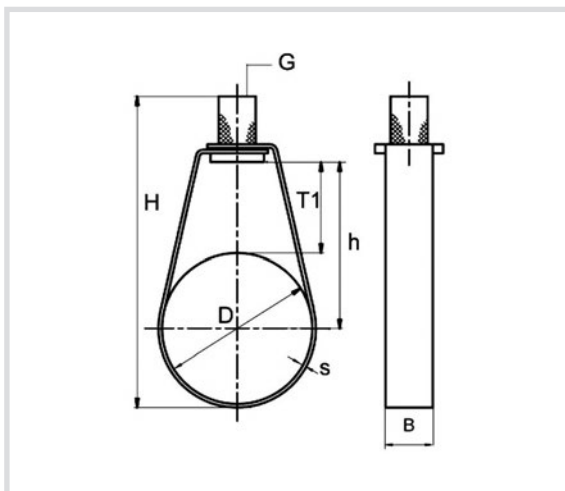


Technical specifications and advantages

- Material: S235JR steel
- Galvanised
- FM Approved 
- UL Approved 



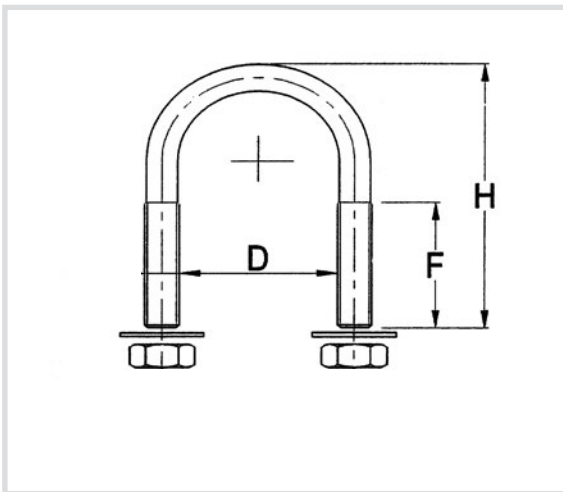
Code	D [mm]	D ["]	G	B x S [mm]	T1 [mm]	H [mm]	h [mm]	Fa,z [N]
603021	23	1/2	M10	16 x 1,0	48	86	37	1500
603027	28	3/4	M10	16 x 1,0	48	86	34	1500
603034	35	1	M10	16 x 1,0	48	89	31	1500
603042	44	1 1/4	M10	16 x 1,0	49	98	29	1500
603048	50	1 1/2	M10	16 x 1,0	54	105	30	1500
603060	62	2	M10	16 x 1,0	62	117	32	1500
603076	77	2 1/2	M10	22 x 2,0	70	133	35	1500
603089	90	3	M10	22 x 2,0	76	146	32	4500
603114	115	4	M10	22 x 2,0	95	178	38	4500
603140	142	5	M12	25 x 3,0	121	222	49	5200
603168	170	6	M12	25 x 3,0	133	251	49	5200
603219	221	8	M12	25 x 3,0	168	308	59	5200



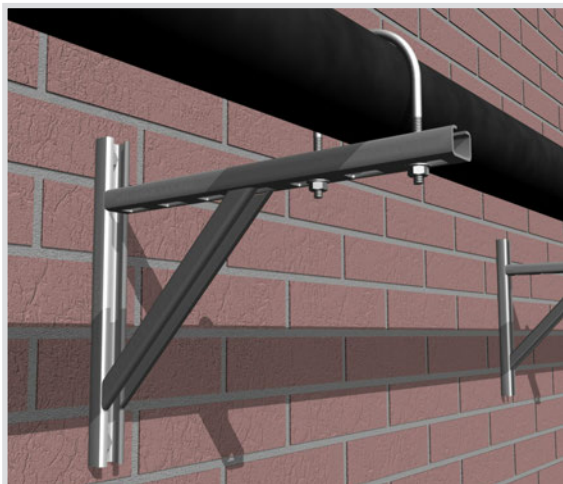
Art. 606 U-bolt pipe clamp with 2 nuts and 2 washers

Technical specifications and advantages

- For fastening pipes to wall brackets and fixing rails
- The package includes two nuts and two washers for fastening
- Made of S235JR galvanised steel
- Nuts UNI 5588
- UNI 6592 washers on request
- Suitable for pipes for civil and industrial systems
- On request we can make non-standard sizes



Code	D [mm]	D ["]	Nut	F [mm]	H [mm]
606018	17,2	3/8	M6	19	42
606021	21,5	1/2	M6	25	48
606027	26,9	3/4	M6	25	52
606034	33,7	1	M6	25	60
606042	42,4	1 1/4	M6	25	68
606048	48,3	1 1/2	M8	30	80
606060	60,3	2	M8	30	92
606075	76,1	2 1/2	M8	30	108
606090	88,9	3	M8	30	120
606102	102	-	M8	35	138
606110	114,3	4	M8	35	149
606139	139,7	5	M8	35	176
606168	168,3	6	M10	45	211
606219	219,1	8	M10	45	263
606274	273,0	10	M10	45	317
606324	323,9	12	M16	60	383
606350	356,0	14	M16	60	415
606408	408,0	16	M16	60	467
606460	457,0	18	M20	65	524
606510	508,0	20	M20	65	574
606600	612,0	24	M20	70	580



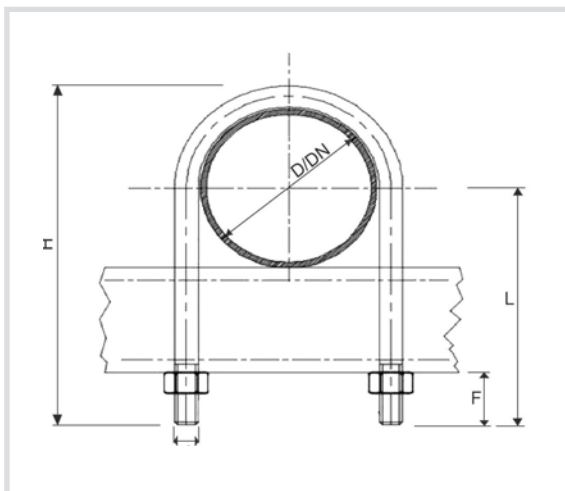
Code heavy type	D [mm]	D ["]	Nut	F [mm]	H [mm]
606P21	21,5	1/2	M8	30	59
606P27	26,9	3/4	M8	30	63
606P34	33,7	1	M8	30	71
606P42	42,4	1 1/4	M8	30	79
606P48	48,3	1 1/2	M10	40	91
606P60	60,3	2	M10	40	103
606P75	76,1	2 1/2	M10	40	119
606P90	88,9	3	M10	40	131
606P10	114,3	4	M12	50	167
606P12	139,7	5	M12	50	191
606P14	168,3	6	M12	50	219
606P16	219,1	8	M16	60	282
606P18	273,0	10	M16	60	336
606P19	323,9	12	M20	70	397

Art. 606L Long U-bolt pipe clamp with 2 nuts and 2 washers



Technical specifications and advantages

- For the fastening of pipes to fixing rails and wall brackets CorSTRUT 41x41
- The package includes: two nuts and two washers for fastening
- Material: S235JR steel
- Galvanised
- Nuts UNI 5588
- UNI 6592 washers
- Suitable for pipes for industrial systems



Code	D [mm]	D ["]	d nut	F [mm]	L [mm]	H [mm]
606L21	15	1/2	M8	30	74	93
606L27	20	3/4	M8	30	78	101
606L34	25	1	M10	40	80	105
606L42	32	1 1/4	M10	40	90	120
606L48	40	1 1/2	M10	40	95	128
606L60	50	2	M10	40	101	140
606L75	65	2 1/2	M12	50	114	162
606L90	80	3	M12	50	120	175
606L10	100	4	M12	50	133	201
606L12	125	5	M12	50	160	240
606L14	150	6	M12	50	164	260
606L16	200	8	M16	50	192	314
606L18	250	10	M16	50	221	370
606L19	300	12	M16	50	248	420



Art. 607 Interlocking clamp for CorRail fixing rails



Technical specifications and advantages

- Material: steel
- Galvanised
- Includes nut and screw
- For CorRail fixing rails 30x15, 30x20, 32x20, 30x30, 30x45



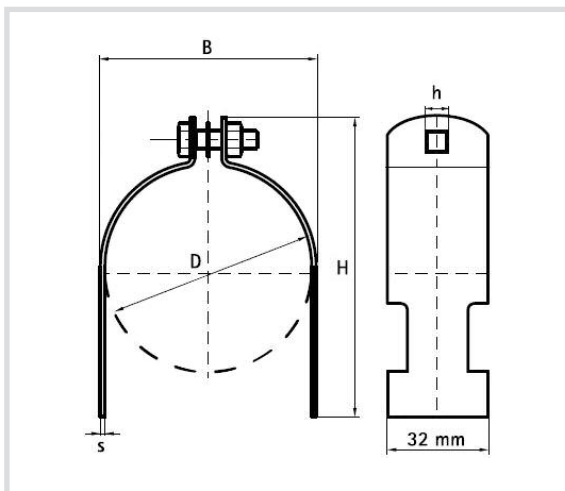
Code	Measurements Ø [mm]	Screw [mm]	Width x Thickness [mm]
607018	3/8	M6 x 20	25 x 2,5
607021	1/2	M6 x 20	25 x 2,5
607027	3/4	M6 x 20	25 x 2,5
607034	1"	M6 x 20	25 x 2,5
607042	1 1/4	M6 x 20	25 x 2,5
607048	1 1/2	M6 x 20	25 x 2,5
607060	2"	M6 x 20	25 x 2,5



Art. 6007 Interlocking pipe clamp for CorSTRUT fixing rails

Caratteristiche tecniche e vantaggi

- Material: pre-galvanised steel
- Includes nut (DIN 934) and round head screw, DIN-EN 24017
- For CorSTRUT fixing rails 41x41, 41x21, etc.



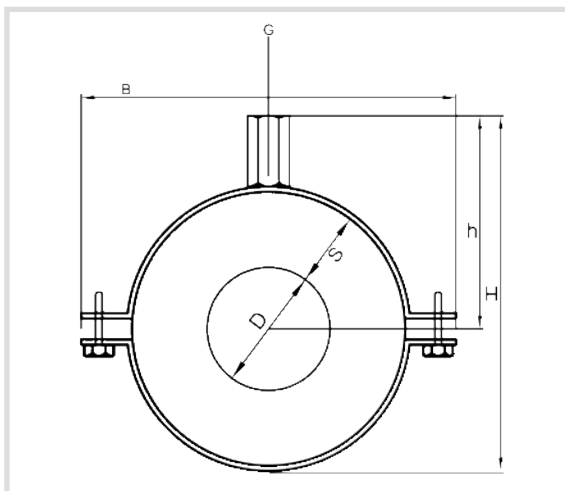
Code	D [mm]	D ["]	DN [mm]	B [mm]	H [mm]	h [mm]	s [mm]	Bolt [mm]
6007012	10-12	1/8	6	15	49	7	1,5	M6x25
6007016	14-16	1/4	8	19	53	7	1,5	M6x25
6007018	16-18	3/8	10	21	55	7	1,5	M6x25
6007022	20-22	1/2	15	25	58	7	1,5	M6x25
6007026	22-25	-	-	29	62	7	1,5	M6x25
6007030	25-27	3/4	20	33	67	7	1,5	M6x25
6007035	32-34	1	25	38	72	7	1,5	M6x25
6007040	37-40	-	-	43	77	7	1,5	M6x25
6007045	41-43	1 1/4	32	48	82	7	1,5	M6x25
6007050	47-51	1 1/2	40	54	88	9	2,0	M8x25
6007060	59-61	2	50	64	98	9	2,0	M8x25
6007065	61-64	-	-	69	103	9	2,0	M8x25
6007070	68-71	-	-	76	110	9	2,0	M8x25
6007080	72-76	2 1/2	65	84	118	9	2,0	M8x25
6007090	87-89	3	80	94	128	9	2,0	M8x25
6007105	100-102	-	-	110	148	9	2,5	M8x25
6007110	105-110	-	-	115	153	9	2,5	M8x25
6007120	113-115	4	100	125	163	9	2,5	M8x25
6007130	120-130	-	-	135	173	9	2,5	M8x25
6007140	139-140	5	125	145	183	9	2,5	M8x25
6007160	155-160	-	-	166	204	9	3,0	M8x25
6007170	164-168	6	150	176	214	9	3,0	M8x25
6007200	190-200	-	-	206	244	9	3,0	M8x25
6007225	215-225	8	200	231	269	9	3,0	M8x25
6007250	240-250	-	-	256	294	9	3,0	M8x25

Art. 6413 POLDO 13 - Insulating block with pipe clamp


- Set consisting of an insulating sleeve and a metal clamp
- It is normally used in combination with insulating sleeves
- For hot, cold and mixed applications
- Temperatures of use: -40°C +90°C

Technical specifications and advantages: Insulating block

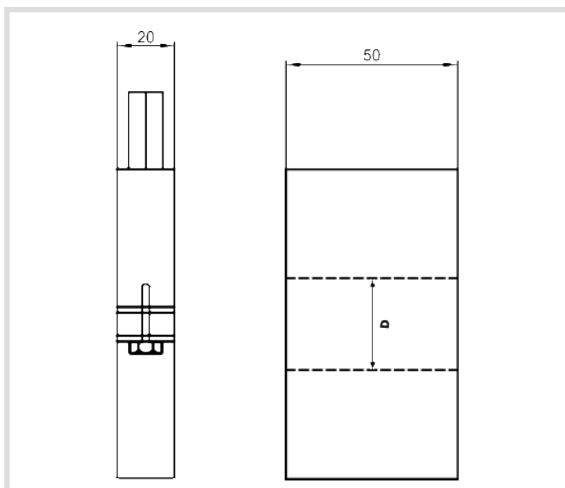
- Composed of PIR (poly-iso-cyanurate) - dense synthetic rubber foam (side faces) and a vapour-resistant black PVC layer
- For steel, copper, stainless steel or plastic pipes
- Excellent thermal and mechanical characteristics
- Very easy to install
- The complete set is used to easily create a steam-resistant combination


Technical specifications and advantages: Clamp

- Galvanised steel
- M8/M10 connection nut
- Easy to install
- M6 lateral screws

Max D.F.= maximum fixing distance

Code	D [mm]	D ["]	DN [mm]	G	B [mm]	H [mm]	h [mm]	s [mm]	Payload [N]	Max D.F. [m]
6413012	12-13	-	-	M8/10	75	60	38	13	150	1,5
6413014	14-15	-	-	M8/10	75	60	37	13	190	1,5
6413017	16-17	3/8	10	M8/10	75	69	40	13	220	1,8
6413019	18-19	-	-	M8/10	79	70	41	13	250	1,8
6413021	21-22	1/2	15	M8/10	83	71	42	13	270	2,1
6413027	27-28	3/4	20	M8/10	92	77	46	13	340	2,3
6413034	35	1	25	M8/10	99	84	55	13	420	2,8
6413042	42	1 1/4	32	M8/10	102	93	55	13	490	3,1
6413049	48-49	1 1/2	40	M8/10	109	98	57	13	540	3,4
6413054	54	-	-	M8/10	117	102	59	13	580	3,4
6413060	60	2	50	M8/10	117	108	62	13	620	3,1
6413064	64	-	-	M8/10	129	110	64	13	640	3,0
6413076	76-77	2 1/2	65	M8/10	138	123	69	13	740	2,8
6413080	80	-	71	M8/10	144	130	72	13	780	2,5
6413089	89	3	80	M8/10	153	140	76	13	830	2,5
6413102	102	-	-	M8/10	169	154	84	13	920	2,2
6413108	108	-	-	M8/10	172	157	86	13	970	2,1
6413114	114,3	4	100	M8/10	178	163	89	13	1010	5,5

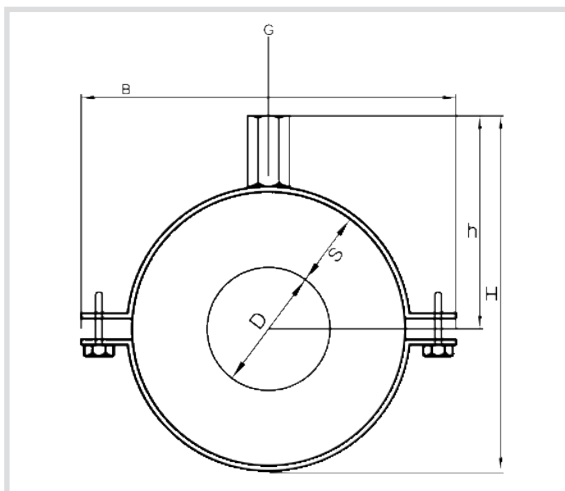


Art. 6419 POLDO 19 - Insulating block with pipe clamp


- Set consisting of an insulating sleeve and a metal clamp
- It is normally used in combination with insulating sleeves
- For hot, cold and mixed applications
- Temperatures of use: -40°C +90°C

Technical specifications and advantages: Insulating block

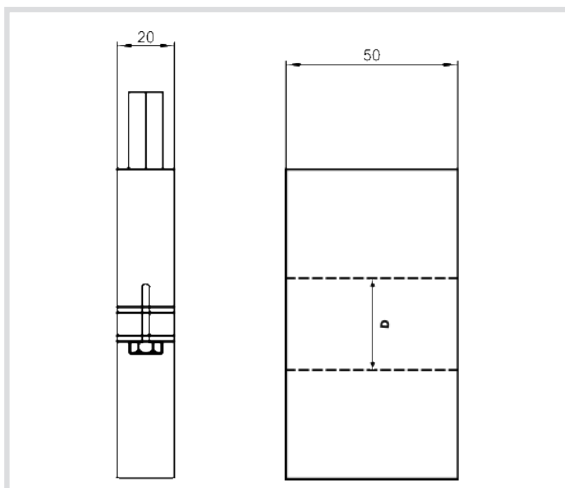
- Composed of PIR (poly-iso-cyanurate) - dense synthetic rubber foam (side faces) and a vapour-resistant black PVC layer
- For steel, copper, stainless steel or plastic pipes
- Excellent thermal and mechanical characteristics
- Very easy to install
- The complete set is used to easily create a steam-resistant combination


Technical specifications and advantages: Clamp

- Galvanised steel
- M8/M10 connection nut
- Easy to install
- M6 lateral screws

Max D.F.= maximum fixing distance

Code	D [mm]	D ["]	DN [mm]	G	B [mm]	H [mm]	h [mm]	s [mm]	Payload [N]	Max D.F. [m]
6419012	12-13	-	-	M8/10	83	72	43	19	150	1,5
6419014	14-15	-	-	M8/10	92	76	46	19	190	1,5
6419017	16-17	3/8	10	M8/10	92	76	46	19	220	1,8
6419019	18-19	-	-	M8/10	92	76	47	19	240	1,8
6419021	21-22	1/2	15	M8/10	92	76	49	19	270	2,1
6419027	27-28	3/4	20	M8/10	102	89	52	19	340	2,3
6419034	35	1	25	M8/10	109	95	60	19	420	2,8
6419042	42	1 1/4	32	M8/10	117	102	59	19	530	3,1
6419049	48-49	1 1/2	40	M8/10	123	111	63	19	610	3,4
6419054	54	-	-	M8/10	129	113	64	19	660	3,4
6419060	60	2	50	M8/10	138	123	69	19	710	3,1
6419064	64	-	-	M8/10	138	126	71	19	730	3,0
6419076	76-77	2 1/2	65	M8/10	153	138	77	19	820	2,8
6419080	80	-	-	M8/10	157	143	79	19	860	2,5
6419089	89	3	80	M8/10	162	150	83	19	920	2,5
6419102	102	-	-	M8/10	178	163	89	19	1010	2,2
6419108	108	-	-	M8/10	187	172	94	19	1150	2,1
6419114	114,3	4	100	M8/10	187	175	95	19	1200	5,5
6419125	125	-	-	M8/10	221	190	103	19	1290	6,0
6419133	133	-	-	M8/10	233	200	107	19	1340	6,0
6419140	140	5	125	M8/10	233	204	110	19	1400	5,8
6419159	159	-	-	M8/10	256	223	120	19	1500	5,7
6419168	168	6	150	M8/10	256	229	122	19	2110	5,0

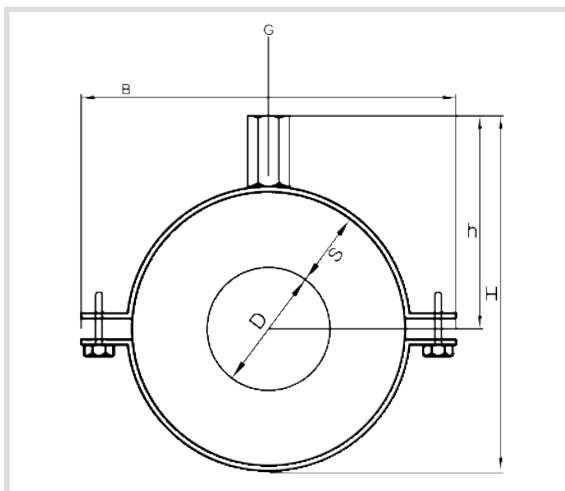


Art. 64xx POLDO 25/32/40 - Insulating block with pipe clamp

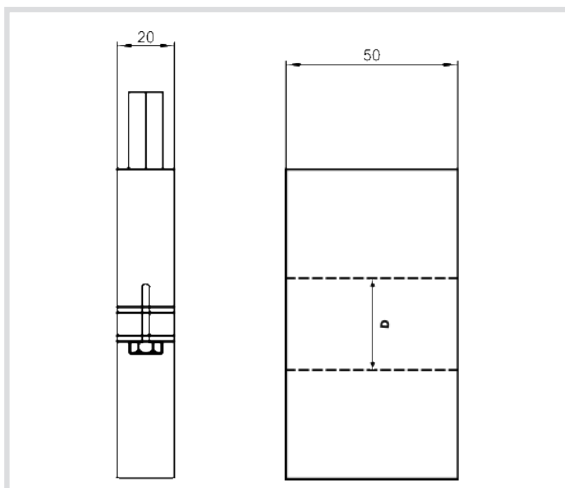

- Set consisting of an insulating sleeve and a metal clamp
- It is normally used in combination with insulating sleeves
- For hot, cold and mixed applications
- Temperatures of use: -40°C + 90°C

Technical specifications and advantages: Insulating block

- Composed of PIR (poly-iso-cyanurate) - dense synthetic rubber foam (side faces) and a vapour-resistant black PVC layer
- For steel, copper, stainless steel or plastic pipes
- Excellent thermal and mechanical characteristics
- Very easy to install
- The complete set is used to easily create a steam-resistant combination


Technical specifications and advantages: Clamp

- Galvanised steel
- M8/M10 connection nut
- Easy to install
- M6 lateral screws



Code S 25	Code S 32	Code S 40	D [mm]	D ["]	DN [mm]	G
6425012	6432012	6440012	12-13	-	-	M8/10
6425014	6432014	6440014	14-15	-	-	M8/10
6425017	6432017	6440017	16-17	3/8	10	M8/10
6425019	6432019	6440019	18-19	-	-	M8/10
6425021	6432021	6440021	21-22	1/2	15	M8/10
6425027	6432027	6440027	27-28	3/4	20	M8/10
6425034	6432034	6440034	35	1	25	M8/10
6425042	6432042	6440042	42	1 1/4	32	M8/10
6425049	6432049	6440049	48-49	1 1/2	40	M8/10
6425054	6432054	6440054	54	-	-	M8/10
6425060	6432060	6440060	60	2	50	M8/10
6425064	6432064	6440064	64	-	-	M8/10
6425076	6432076	6440076	76-77	2 1/2	65	M8/10
6425080	6432080	6440080	80	-	-	M8/10
6425089	6432089	6440089	89	3	80	M8/10
6425102	6432102	6440102	102	-	-	M8/10
6425108	6432108	6440108	108	-	-	M8/10
6425114	6432114	6440114	114,3	4	100	M8/10
6425125	6432125	6440125	125	-	-	M8/10
6425133	6432133	6440133	133	-	-	M8/10
6425140	6432140	6440140	140	5	125	M8/10
6425159	6432159	6440159	159	-	-	M8/10
6425168	6432168	6440168	168	6	150	M8/10

Art. 641111 Glue and adhesive coil for the Poldo pipe clamp



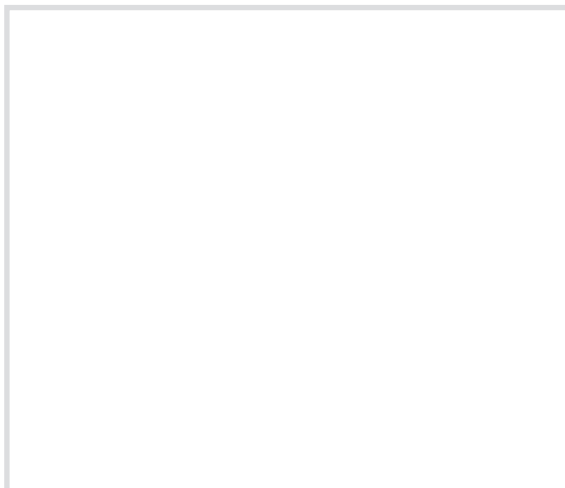
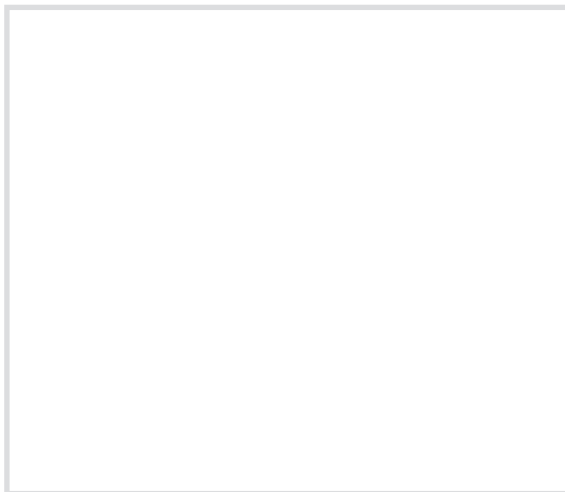
Technical specifications and advantages

Glue

- Glue to stick the Poldo to an insulating pipe
- 250 ml jar
- With dispenser for easy application

Adhesive reel

- Colour: black
- Adhesive
- Thickness 3mm
- Dimensions 50mm x 15 m



Code	Description [mm]	Dimensions
6411110	Glue	250ml can
6411111	Adhesive reel	50mm x 15 m, thickness 3 mm