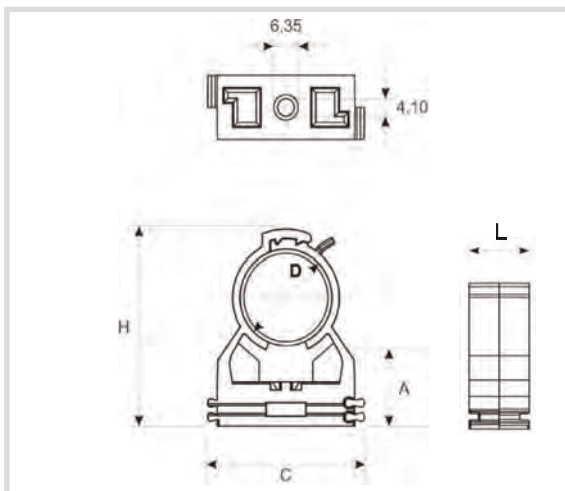


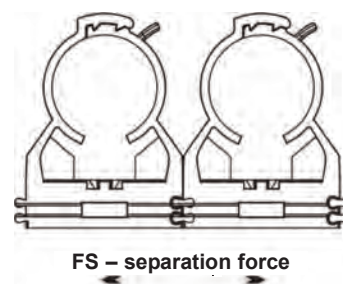
Art. 118 C-Fast clamp with quick lock for all pipes



### Technical specifications and advantages

- Patented tool-free locking
- Complete tightening around the pipe by applying pressure to the pipe
- Ideal for all types of pipe
- Material: modified copolymer, halogen-free
- Anti-UV additive
- High chemical resistance
- Resistant to ageing, oils and petroleum derivatives
- Ideal for all applications, including environments subject to corrosive or atmospheric agents, chemicals, swimming pools, etc.
- Each C-Fast covers multiple diameters
- Complete range from diameter 10 to diameter 65.0
- Suitable from -10°C to 90°C
- Fire behaviour: class V0
- Colour grey, other colours available on request

Code	D [mm]	D ["]	Type	C [mm]	H [mm]	A [mm]	L [mm]	Payload [N]	FS [N]
<b>118010</b>	10-12	1/8	CF-10	30,5	30	15	15,8	550	250
<b>118014</b>	14-16	1/4	CF-14	31	38	17	15,8	900	250
<b>118017</b>	16,5-20	3/8	CF-17	31	41	19,5	15,8	700	250
<b>118020</b>	20-23	1/2	CF-20	31	41	17,5	15,8	800	250
<b>118025</b>	25-29	3/4	CF-25	41	48	20	15,9	800	250
<b>118032</b>	32-35	1	CF-32	40	56	20	15,8	1000	-
<b>118040</b>	40-45	1 1/4	CF-40	51	64,5	21	16,6	900	-
<b>118048</b>	48-55	1 1/2	CF-48	63,5	78	25	16,3	800	-
<b>118059</b>	58,5-65	2	CF-59	73	70	27	16,2	1000	-



Art. 1186 C-Fast threaded nut M6



### Technical specifications and advantages

- M6 threaded nut
- Material: steel
- Galvanised
- To connect the C-Fast clamp to any M6 thread



Code	Description
<b>118600</b>	Nut M6

Art. 1189 C-Fast screw with anchor



### Technical specifications and advantages

- For hammer fastening of the C-Fast
- PA anchor
- Galvanised steel screw



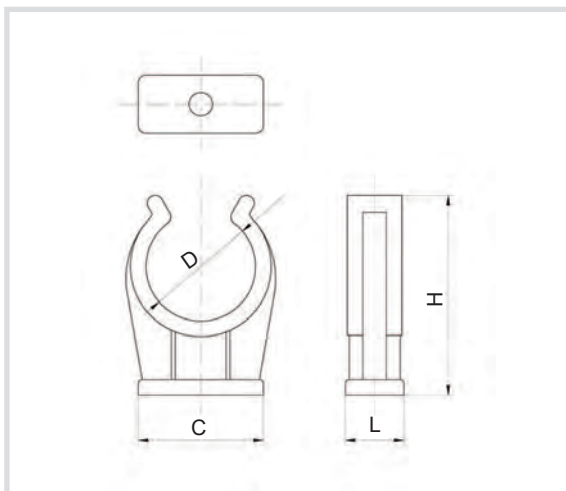
Code	Measurements [mm]
<b>118900</b>	6x40 Anchor and 4.5x55 Screw

### Art. 119 Open Clip for pipes fastening

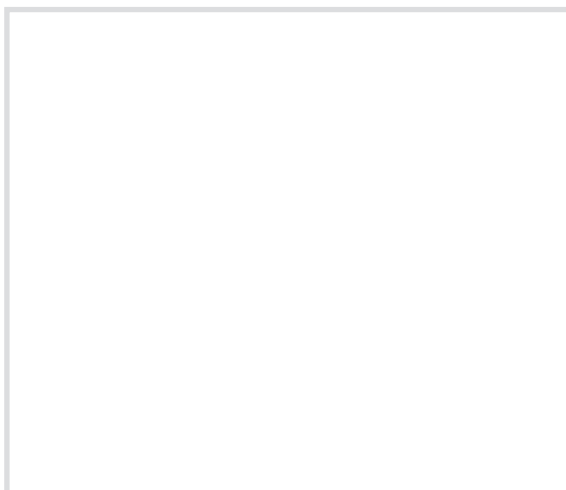


#### Technical specifications and advantages

- Open clip for pipes fastening
- Material: copolymer
- Suitable from -10°C to 90°C
- High tensile strength
- White colour
- Quick installation of the pipe in the open clip
- The open clip can be fastened with screws or M6 bolts



Code	D [mm]	C [mm]	H [mm]	L [mm]
<b>119006</b>	6	13	18	15
<b>119008</b>	8	14	19	15
<b>119010</b>	10	15	21	17
<b>119012</b>	12	17	23	16
<b>119015</b>	14-15	24	27	16
<b>119017</b>	16-18	23	34	16
<b>119020</b>	20-22	25	38	16
<b>119025</b>	25-28	33	50	16
<b>119035</b>	35	34	52	17



Art. 111 StarQuick® Pipe clamp

WATCH THE VIDEO

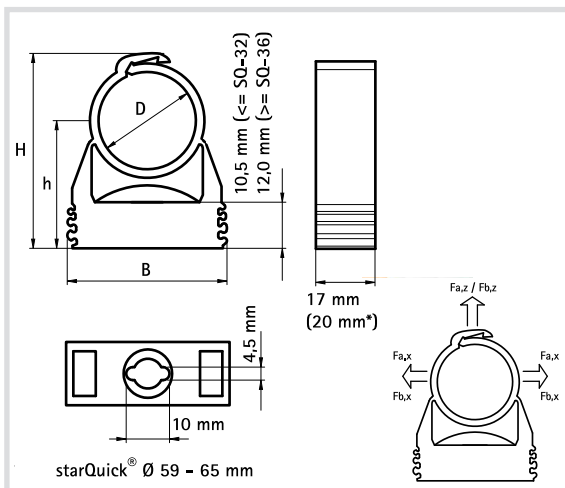


### Technical specifications and advantages

- Patented closure
- Each StarQuick® covers multiple diameters
- Closure without tools, by applying pressure to the pipe
- Ideal for all applications, including corrosive environments or environments subject to atmospheric agents, chemicals, swimming pools, etc.
- High chemical resistance
- Complete tightening around the pipe
- Resistant to UV rays, ageing, oils and petroleum derivatives
- Material: modified polyamide (PA 6), halogen-free
- Suitable from -40° to +90°C
- Complete range from diameter 9.5 to diameter 65.0
- Flammability characteristics according to UL 94-V2
- Grey (RAL 7035) or copper colour. Other colours available upon request
- CE and KIVA certifications (NL)

Code	D [mm]	D (")	D (DN)	Tipo	B [mm]	H [mm]	h [mm]	Fa,z [N]	Fb,z [N]
<b>Grey colour</b>									
111 0010	10 - 12	1/8	6	SQ-10	29	32	23	170	500
111 0012	11,5 - 15	1/4	8	SQ-12	29	34	23	180	550
111 0015	14 - 16	-	-	SQ-15	29	36	24	200	600
111 0017	16 - 20	3/8	10	SQ-17	29	40	26	230	700
111 0020	20 - 23	1/2	15	SQ-20	29	44	27	270	800
111 0025	24 - 28	3/4	-	SQ-25	40	50	31	280	850
111 0028	27 - 32	-	20	SQ-28	40	53	32	300	900
111 0032	31 - 35	1	-	SQ-32	40	57	34	330	1000
111 0036	35 - 40	-	25	SQ-36	43	66	41	370	1100
111 0040	39 - 44	1 1/4	-	SQ-40	47	70	42	400	1200
111 0047	44 - 50	-	32	SQ-47	52	76	45	430	1300
111 0051	48 - 55	1 1/2	-	SQ-51	57	81	47	470	1400
111 0059	58 - 65	2	40	SQ-59	63	94	55	500	1500

<b>Copper colour</b>									
1160010	10 - 12	1/8	6	SQ-10	29	32	23	170	500
1160012	12 - 15	1/4	8	SQ-12	29	34	23	180	550
1160015	14 - 16	-	-	SQ-15	29	36	24	200	600
1160017	16 - 20	3/8	10	SQ-17	29	40	26	230	700
1160020	20 - 23	1/2	15	SQ-20	29	44	27	270	800
1160025	24 - 28	3/4	20	SQ-25	40	50	31	280	850
1160028	28 - 32	-	-	SQ-28	40	53	32	300	900



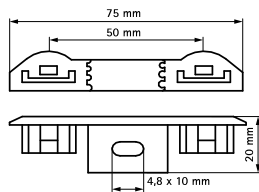
Art. 500 StarQuick® DUO

WATCH THE VIDEO



### Technical specifications and advantages

- To attach two pipes with a single fastening
- Perfect for domestic pipes (hot/cold)
- In modified PA 6
- Distance of the axes of the pipes: 50 mm
- RAL 7035 grey colour
- Suitable for StarQuick up to 24 mm (SQ10 to SQ20)
- Resistant to UV rays, ageing, oils and petroleum
- Max temperatures: from -40°C up to 90°C. For short periods, up to 130°C.



Code	Type	Breaking load N at 20° C
500 0050	SQ/2	600

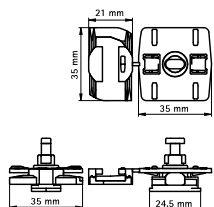
Art. 085 StarQuick® Universal adapter

WATCH THE VIDEO



### Technical specifications and advantages

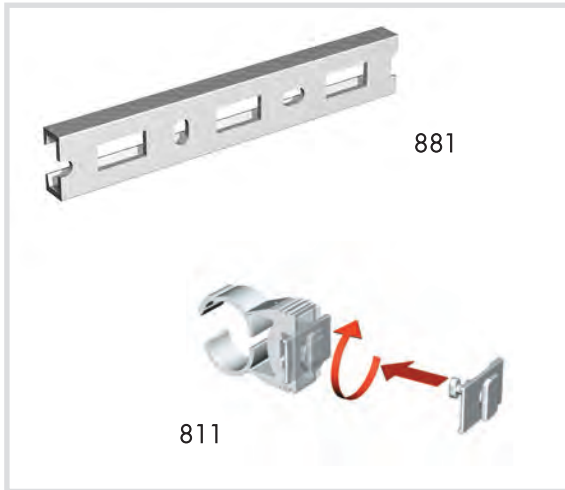
- For attachment of the StarQuick® clamps to our CorRail or STRUT fixing rails
- To add pipes quickly and simply to an existing installation
- Suitable for StarQuick® SQ-10 up to SQ-51
- Material: PA6 modified, grey (according to UNI 7035)
- Resistant to UV rays, ageing, oils and petroleum derivatives
- Not subject to corrosion, recyclable
- Temperatures: from -40°C to 90°C; for limited periods of time, suitable up to 130°C.



Code	For fixing rails
0854332	All CorRail STRUT fixing rails

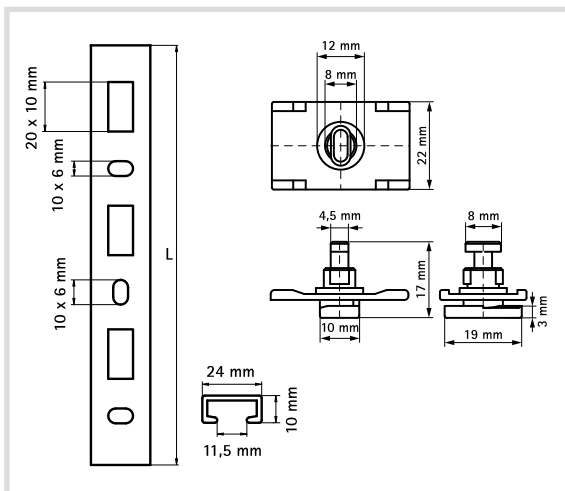
Art. 881 e 811 StarQuick® Fixing rail and adapter

WATCH THE VIDEO

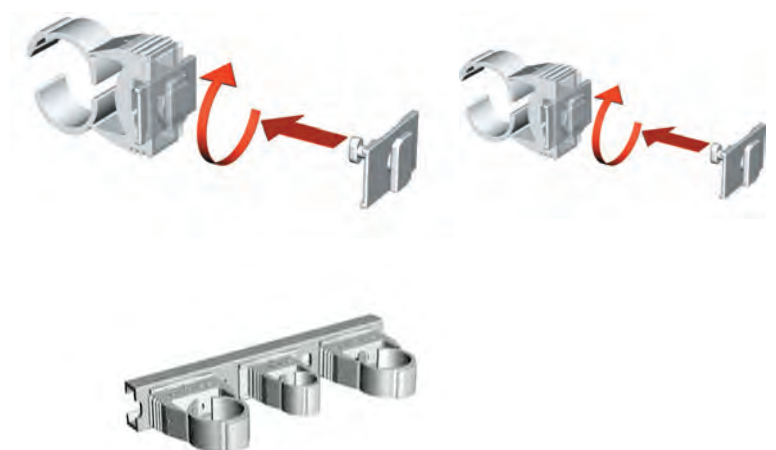


*Technical specifications and advantages*

- To fasten multiple StarQuick®
- Completely plastic fastening can be performed
- Fastening from both sides of the fixing rail is possible
- Suitable for pipes with a diameter of 35 mm (StarQuick SQ32)
- Materials: PVC fixing rail; PA 6 adapter



Code grey	Code copper	Type	Dimensions [mm]	Length [mm]	Breaking load N at 20° C
881 0100	881 6100	Fixing rail	25x10 mm	1000 mm	100 N
811 0000	811 6000	Adapter			



## Art. 500 StarQuick® Nut Threaded insert

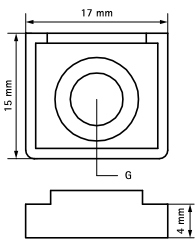
WATCH THE VIDEO



### Technical specifications and advantages

- To connect the StarQuick® to any M6 or M8 male thread
- In modified PA 6
- RAL 7035 grey colour

Code	Type	Dimension
500 0006	SQ/M6	M6
500 0008	SQ/M8	M8



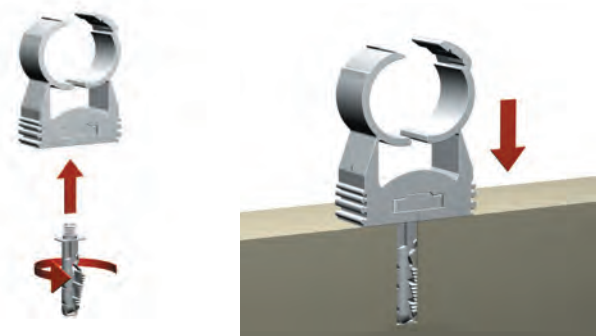
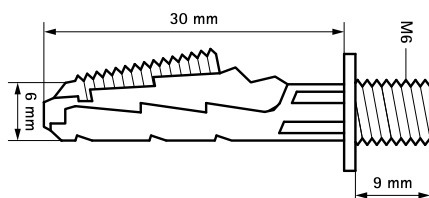
## Art. 511 StarQuick® Pressure bolt with threaded insert



### Technical specifications and advantages

- To perform completely plastic fastening
- In modified PA6
- RAL 7035 grey colour

Code	Measurements Ø [mm]	Type	Breaking load N at 20° C
5110030	M6 x 30	SQ/PP	200

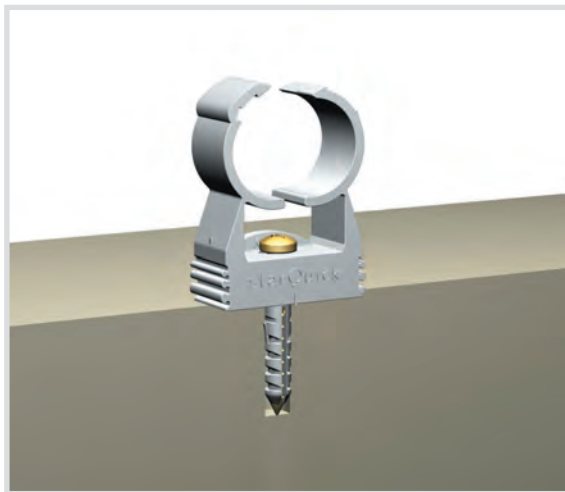


Art. 998 StarQuick® Screws and anchors for wall fixing

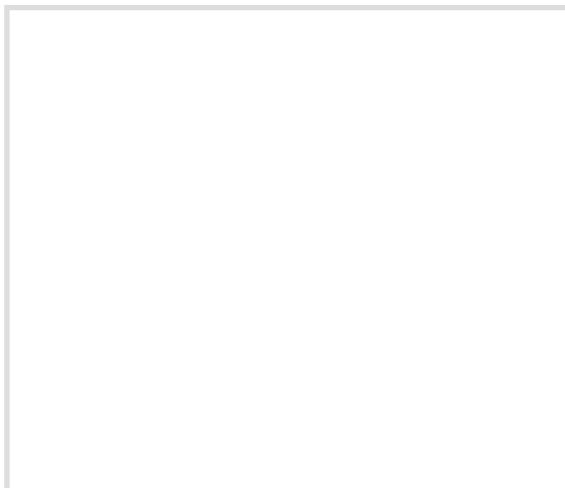


*Technical specifications and advantages*

- To fasten the StarQuick® to various surfaces



Code	Dimension [mm]	Type	Description	Material
<b>998 0445</b>	4,5 x 45	SQ-S	Screw	Galvanised steel
<b>998 0460</b>	4,5 x 60	SQ-S	Screw	Galvanised steel
<b>911 0630</b>	6 x 30	SQ-N	Anchor	HDPE
<b>837 506</b>	6 x 30		Universal anchor	PA 6





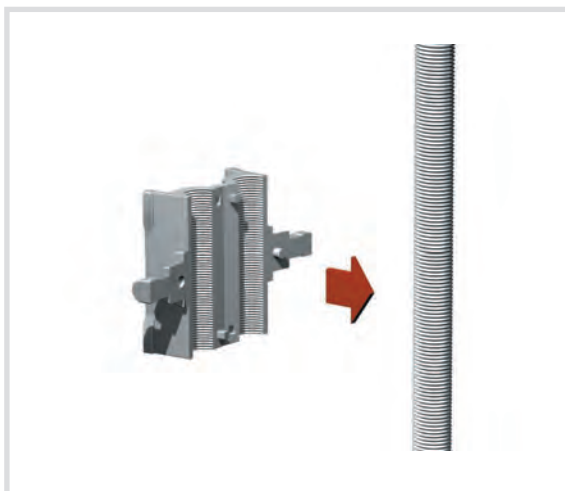
Art. 530 StarQuick® Adapter for threaded rods

WATCH THE VIDEO

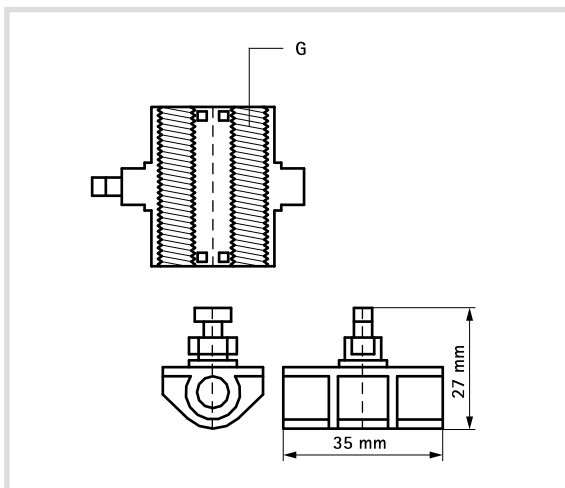


*Technical specifications and advantages*

- To connect StarQuick® to a threaded rod
- To add pipes to an existing installation
- Suitable for StarQuick® from SQ10 up to SQ51
- PA6 Material, grey (RAL 7035)
- Resistant to UV rays, ageing, oils, petroleum derivatives
- Not subject to corrosion, recyclable, halogen-free
- Resistant to temperatures: from -40°C up to 90°C; for a limited period of time, suitable up to 130°C



Code	Dimensions [mm]	Material
530 0006	M6	PA 6
530 0008	M8	PA 6



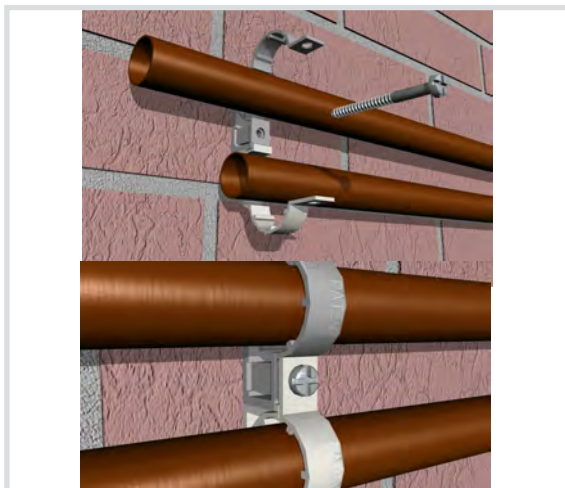
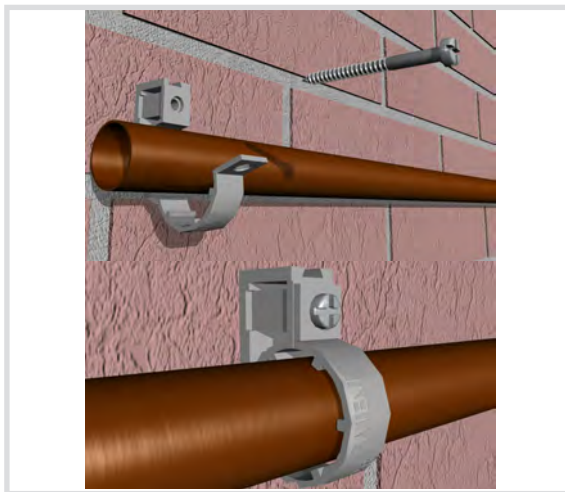
Art. 6227 Nylon clamp for copper pipe and ring    Art. 62 Nylon ring to double clamp 6227



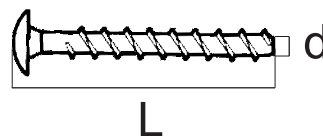
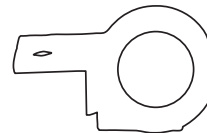
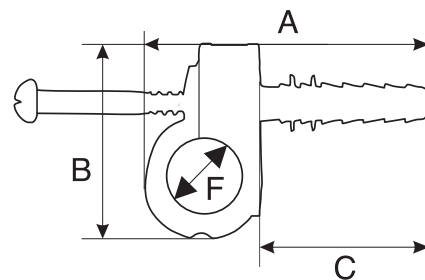
### Technical characteristics and advantages

- Made in polyamide 6
- Colour: grey RAL 1225

Code	F [mm]	A	B	C	Screw dxL [mm]
6227010	10	48	34	28	4,5x44
6227012	12	48	34	28	4,5x44
6227014	14	48	34	28	4,5x47
6227016	16	48	34	28	5x58
6227018	18	64	42	35	5x58
6227020	20	64	42	35	5x58
6227022	22	64	42	35	5x58
6227028	28	83	47	46	5x75
6227032	32	83	47	46	5x80



Measure. Ø [mm]	
6210	10
6212	12
6214	14
6216	16
6218	18
6220	20
6222	22
6228	28
6232	32



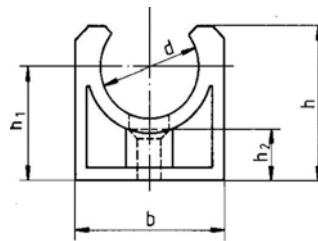
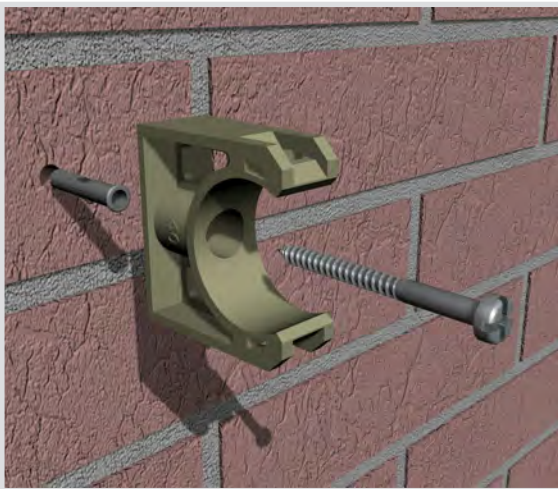
## Art. 870 Polypropilene pipe clip



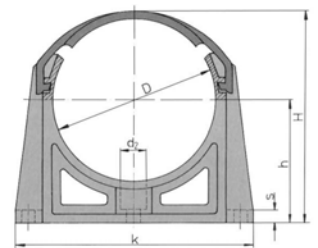
### Technical characteristics and advantages

- Base made of polypropylene
- Clip made of PVC
- Colour: base grey RAL 7032, clip grey RAL 7011
- Conforms to the DIN 16926 standard
- Operating temperature: +10°C / +80°C

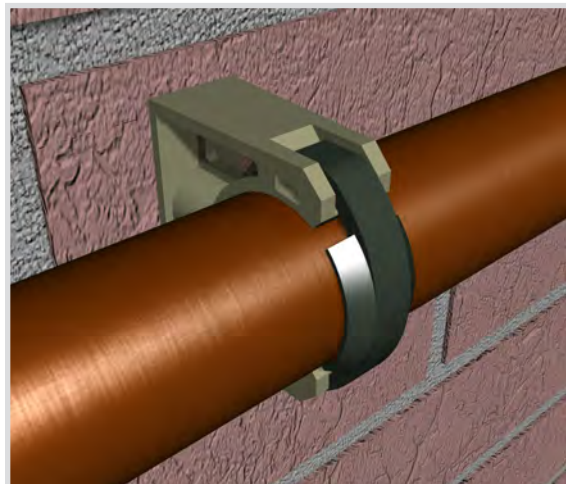
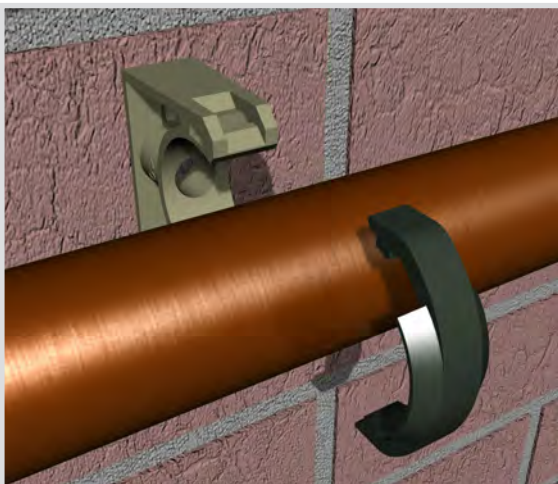
Code	Measure. Ø [mm]	h2 [mm]	b [mm]	h [mm]	h1 [mm]
870016	16 - 3/8	11	32	32	24
870020	20 - 1/2	11	32	34	25
870025	25 - 3/4	12	41	35	26
870032	32 - 1"	11	49	44	30
870040	40 - 1 1/4	-	58	68	43
870050	50 - 1 1/2	-	69	77	47
870063	63 - 2"	-	84	94	57
870075	75 - 2 1/2	-	126	107	64
870090	90 - 3"	-	143	124	73
870110	110 - 4"	-	163	146	85
870125	125	-	183	187	117
870140	140	-	199	209	132
870160	160	-	220	238	150



Up to 32 mm



From 40 mm



Art. 201 Hammer-on clamp



2010xx

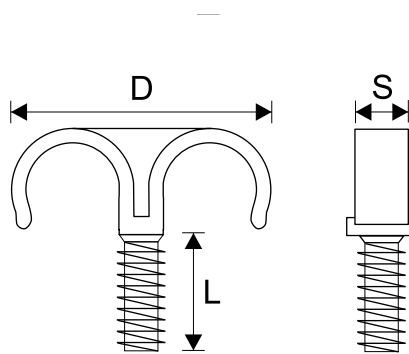
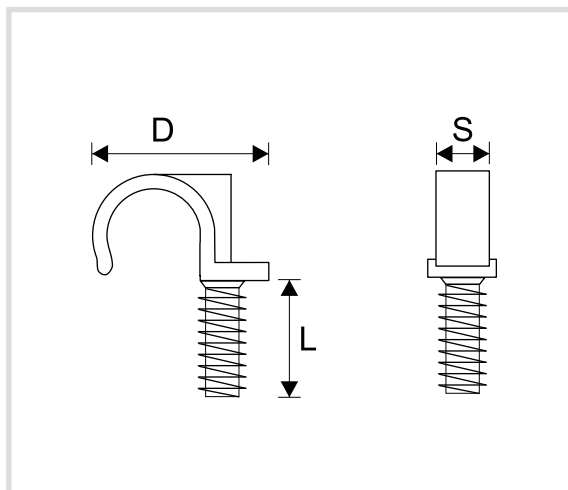


2012xx

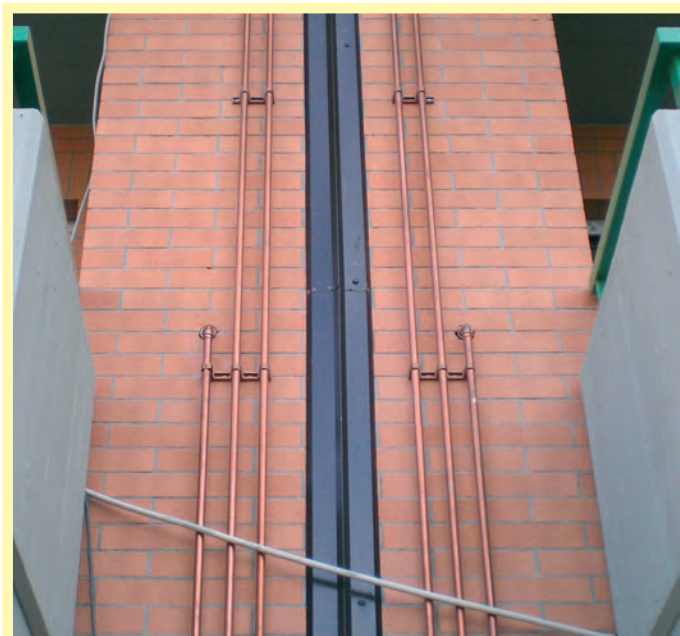
*Technical specifications and advantages*

- Simply hammer it into an 8mm hole. No screw is required
- Available in both the one pipe (2010xx) and two pipe (2012xx) versions
- Significant time saving
- Material: polyamide (Nylon 6), grey
- Temperatures: from -30° to +90°C

Code	For pipes Ø	L [mm]	D [mm]	S [mm]
<b>201014</b>	14 - 15	31	33	18
<b>201016</b>	16 - 17	31	35	20
<b>201018</b>	18 - 19	31	37	20
<b>201020</b>	20 - 21	31	38	20
<b>201022</b>	22 - 23	31	41	20
<b>201025</b>	25 - 26	31	44	20
<b>201028</b>	28 - 29	31	47	20
<b>201032</b>	30 - 32	31	49	20
<b>201216</b>	16 - 17	31	43	20
<b>201218</b>	18 - 19	31	50	20
<b>201220</b>	20 - 21	31	54	20
<b>201222</b>	22 - 23	31	58	20
<b>201225</b>	25 - 26	31	68	20



## Applications with copper-coloured Star Quick®



Scan the QR code to learn more about the application

