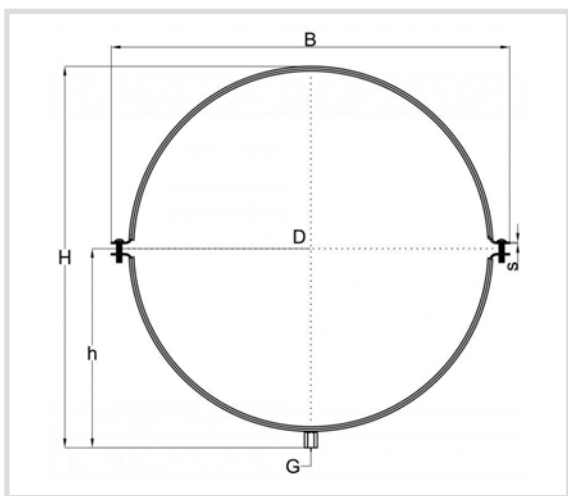


Art. 414 Clamp with rubber lining for ducts - M8/M10



Technical specifications and advantages

- Quick and easy to assemble
- Metal part in pre-galvanised steel
- TPE fixing rail, black, resistant to ageing
- Noise insulation according to DIN 4109
- M8/M10 welded nut



Code	D [mm]	G	B [mm]	H [mm]	b x s [mm]
414080	80	M8/M10	125	109	20 x 1,5
414100	100	M8/M10	149	129	20 x 1,5
414125	125	M8/M10	180	154	20 x 1,5
414140	140	M8/M10	189	169	20 x 1,5
414150	150	M8/M10	202	179	20 x 1,5
414160	160	M8/M10	222	189	20 x 1,5
414180	180	M8/M10	243	209	20 x 1,5
414200	200	M8/M10	259	229	20 x 1,5
414225	225	M8/M10	288	253	25 x 2
414250	250	M8/M10	304	279	25 x 2
414280	280	M8/M10	358	309	25 x 2
414300	300	M8/M10	373	329	25 x 2
414315	315	M8/M10	386	344	25 x 2
414355	355	M8/M10	445	384	25 x 2
414400	400	M8/M10	493	429	25 x 2
414450	450	M8/M10	540	483	25 x 2
414500	500	M8/M10	591	532	25 x 2
414560	560	M8/M10	635	591	25 x 2
414600	600	M8/M10	675	631	25 x 2
414630	630	M8/M10	706	664	25 x 2
414710	710	M8/M10	796	741	25 x 2
414800	800	M8/M10	898	835	25 x 2
414900	900	M8/M10	1010	935	25 x 2
4141000	1000	M8/M10	1150	1040	25 x 2
4141120	1120	M8/M10	1260	1160	25 x 2
4141250	1250	M8/M10	1392	1290	25 x 2

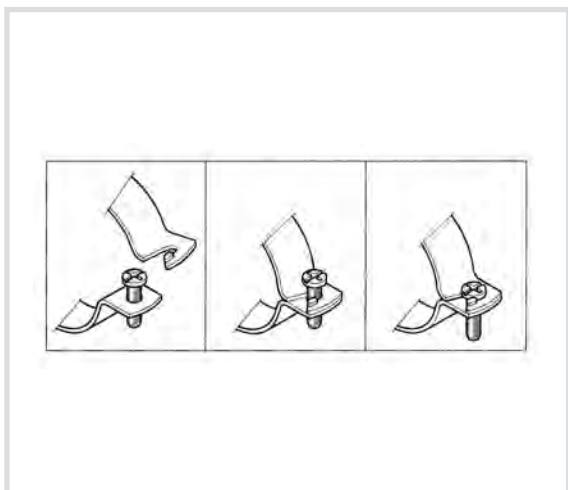
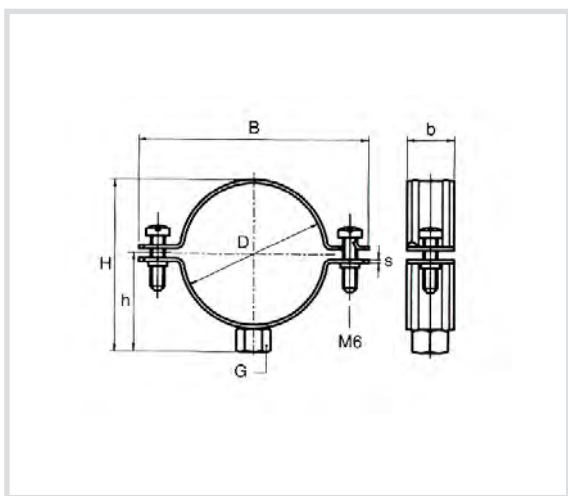


Art. 4105 Clamps for spiral ducts - M8/M10



Technical specifications and advantages

- Clamp with 2 screws
- Fast and patented closing system
- Material: pre-galvanised steel



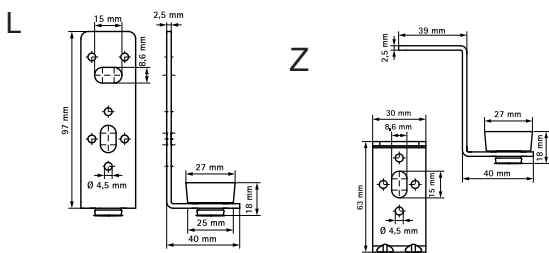
Code	D [mm]	G	B [mm]	H [mm]	h [mm]	b x s [mm]	Payload [N]
4105080	80	M8/M10	127	99	54	25 x 1,5	850
4105100	100	M8/M10	147	119	64	25 x 1,5	850
4105112	112	M8/M10	158	131	70	25 x 1,5	850
4105125	125	M8/M10	172	144	77	25 x 1,5	850
4105130	130	M8/M10	177	149	79	25 x 1,5	850
4105140	140	M8/M10	187	159	84	25 x 1,5	850
4105150	150	M8/M10	197	169	89	25 x 1,5	850
4105160	160	M8/M10	207	179	94	25 x 1,5	850
4105180	180	M8/M10	227	199	104	25 x 1,5	850
4105200	200	M8/M10	247	219	114	25 x 1,5	850
4105225	225	M8/M10	272	244	127	25 x 1,5	850
4105250	250	M8/M10	297	269	139	25 x 1,5	850
4105280	280	M8/M10	326	299	154	25 x 1,5	850
4105300	300	M8/M10	347	319	164	25 x 1,5	850
4105315	315	M8/M10	361	334	171	25 x 1,5	850
4105355	355	M8/M10	402	374	187	25 x 1,5	850
4105400	400	M8/M10	446	419	214	25 x 1,5	850

Art. 4107 Soundproofed suspension brackets



Technical specifications and advantages

- Made with galvanised steel
- Holes of diam. 4.2 mm for connection with rivets
- Noise insulation according to DIN 4109
- Ideal as an insulating support for rectangular and circular air pipes.
- Suitable for any size of pipe
- Easily applicable by means of rivets or self-tapping screws
- Material: metal parts, galvanised steel
- Silent block in TPE black



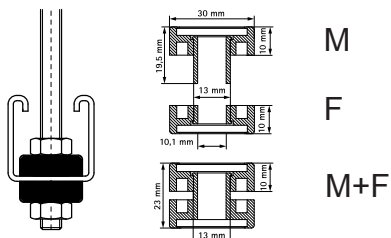
Code	Type	Payload [N]
4107001	L	1100
4107003	Z	530

Art. 4108 Rubber anti-vibration piece



Technical specifications and advantages

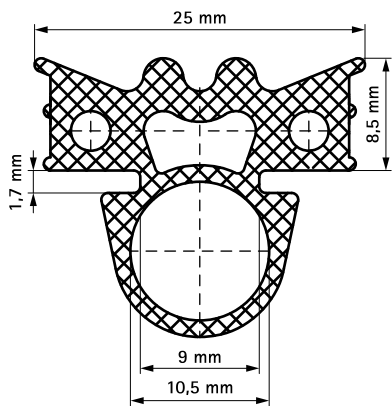
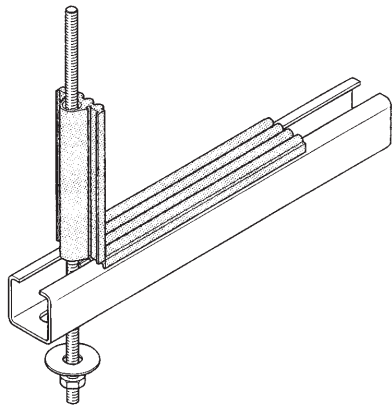
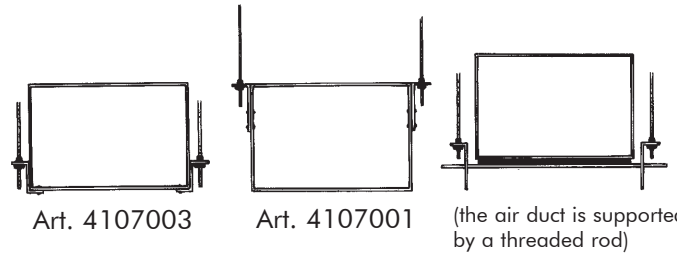
- Insulation and noise reduction element
- Material: metal part, galvanised steel - TPE rubber silent block, black



Code	Type
4108001	M+F

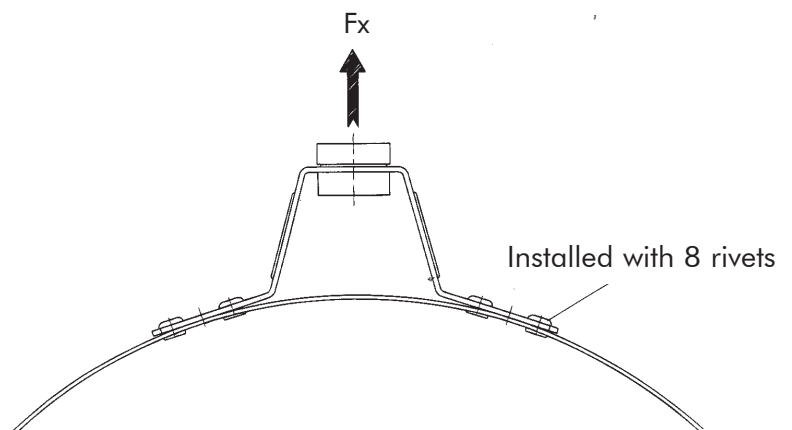
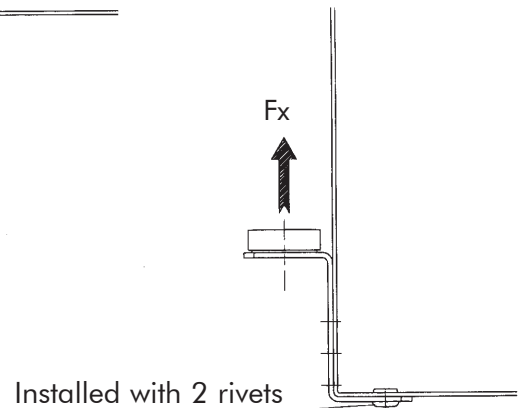
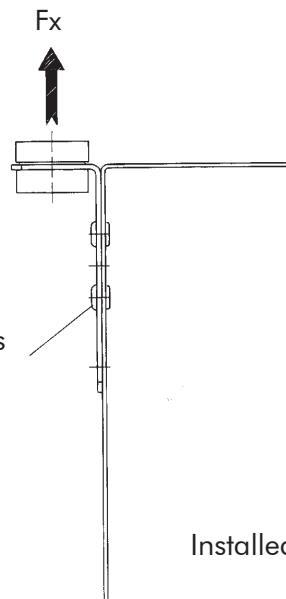
COMPONENTS FOR AIR DUCTS

APPLICATION EXAMPLES



Special rubber fixing rail for all CorRail fixing rails or threaded rod. Also for noise insulation according to DIN 4109

TEST METHOD FOR PAYLOAD



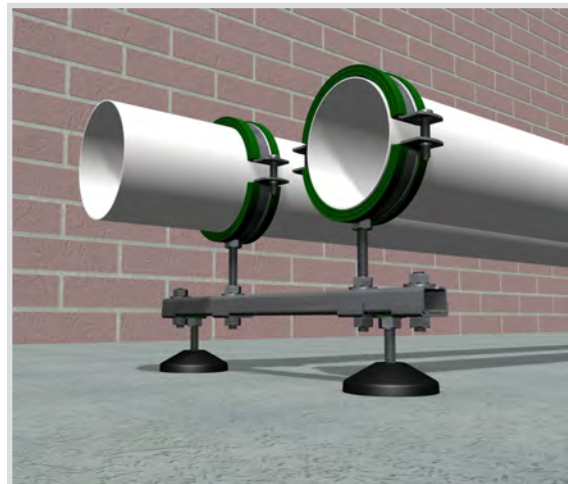
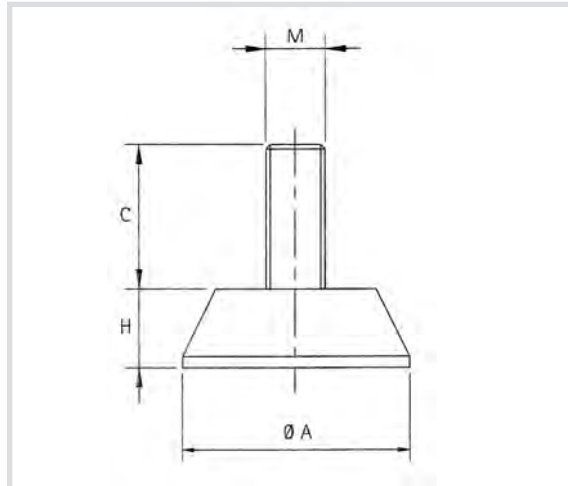
Art. 842 Foot for structures



Technical specifications and advantages

- Material: glass filled nylon
- Fixed rod in galvanised steel

Code	Measurements Ø [mm]	A [mm]	H [mm]	M x C [mm]	Payload [N]
842008	M8	30	15	M8x30	1500
842010	M10	80	20	M10x45	3000

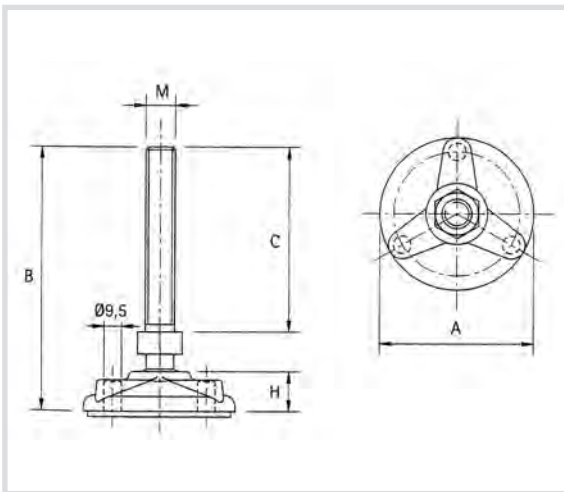


Art. 844 Swivel foot for structures

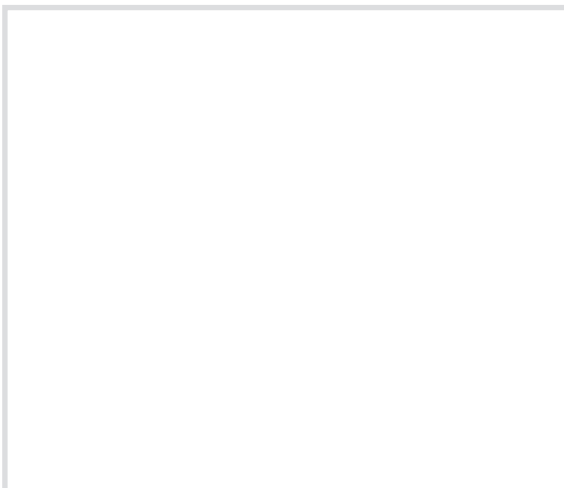


Caratteristiche tecniche e vantaggi

- Material: glass filled nylon
- Jointed rod

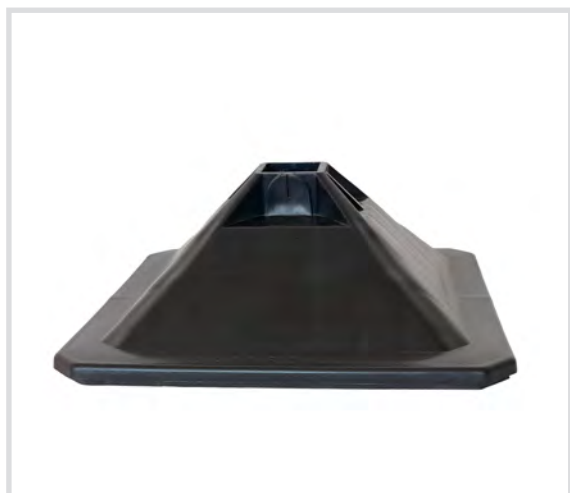


Code	A [mm]	H [mm]	B [mm]	M x C [mm]	Payload [N]
844008	80	24	101	M8x65	1200
844010	80	24	96	M10x60	1200



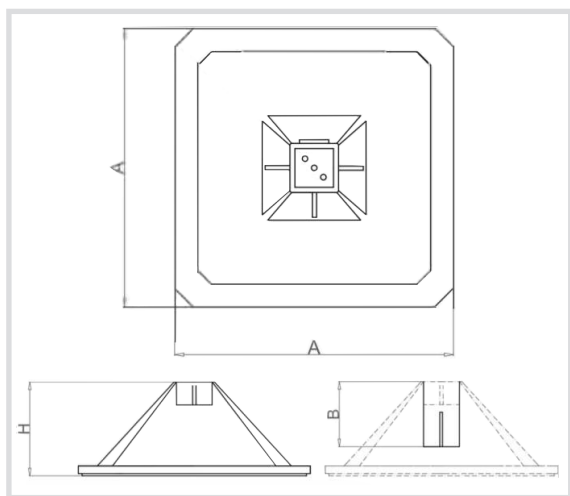
Art. 845xxx

Fabio - Foot to support structures



Technical specifications

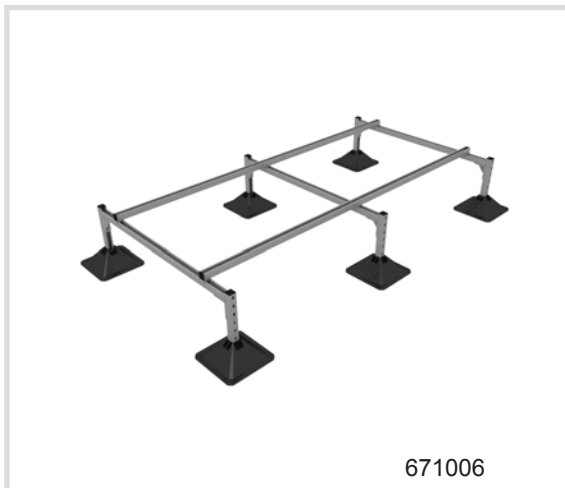
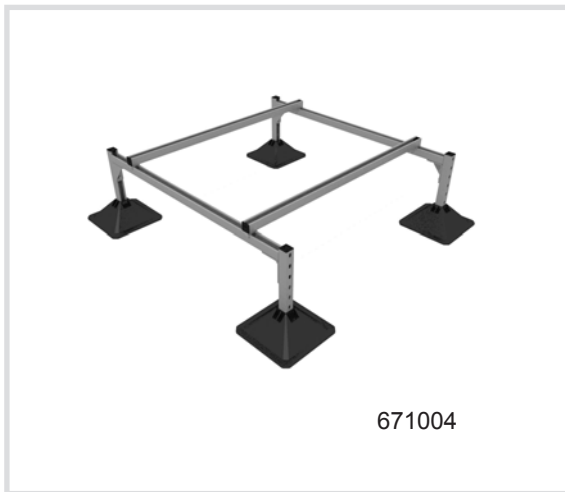
- Modular support system to support plumbing and air conditioning systems, walkways, ducts, air treatment machines, etc.
- For flat roofs, does not damage the waterproof sheath
- For horizontal and vertical applications
- With non-slip PE foam mat, pre-fitted to absorb vibrations
- Made with recycled HDPE
- Resistant to UV rays, ageing and many chemical compounds
- For CorSTRUT fixing rails 41x41



Code	A x A [mm]	H [mm]	B [mm]	Max Payload [N]
845200	200x200	120	85	1500
845305	305x305	120	85	1750
845500	500x500	120	85	2500



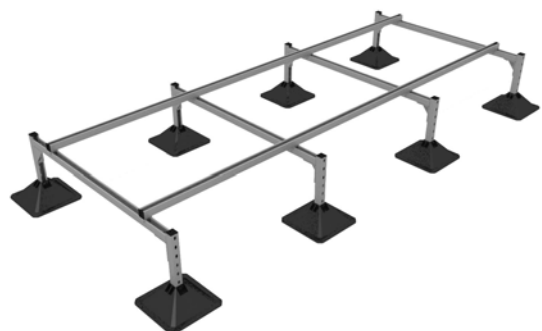
Art. 671 Structure support kit



Technical specifications and advantages

- Complete standard set to support flat roof installations
- Suitable for a wide range of air conditioning machines, ventilation units, etc.
- With anti-vibration mats
- Pre-cut structures, easy to assemble
- If the product to be supported weighs more than 150 kg or requires special precautions, contact our technical department.

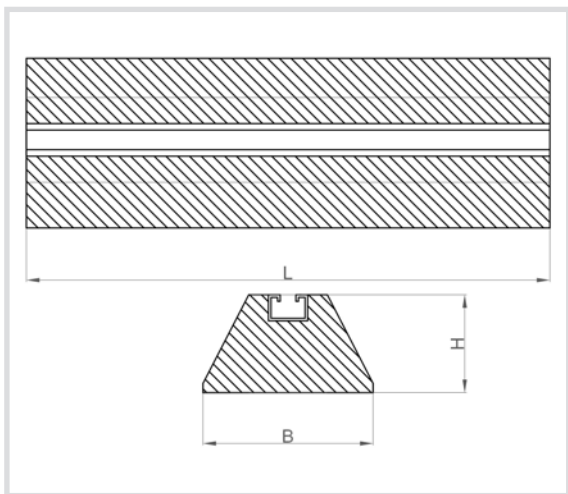
Code	Dimension		Number of feet
671002	1000	H=1000	2
671004	1000 x 1000	H=500	4
671006	1000 x 2000	H=500	6
671008	1000 x 3000	H=500	8



Art. 672xxx

Rooftop solution with CorSTRUT fixing rail

WATCH THE VIDEO



Technical specifications

- To support pipe installations, air ducts, ducts, etc.
- To support air conditioning installations, walkways on flat roofs, etc.
- Does not damage the waterproof sheath
- Material: vulcanised recycled rubber, black EN 1176-7:2008
- CorSTRUT fixing rail in pre-galvanised steel 41x21 fixed to the foot
- Resistant to UV rays
- Absorbs vibrations, reduces noises
- Suitable for both indoor and outdoor applications, temperature between -40°C and 80°C

Code	L [mm]	B [mm]	H [mm]	Payload [N]
672025**	250	130	50	1600
672040**	400	130	50	2400
672600	600	180	95	4500
672999	1000	180	95	6450

** Including 2 fastening elements cod.8661040



Applications for air ducts and structure support

