

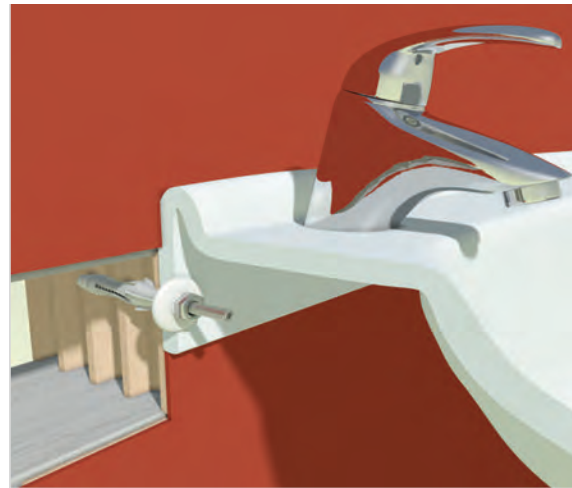
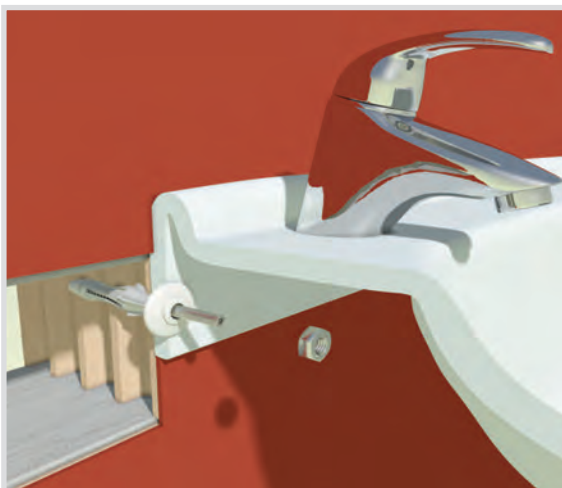
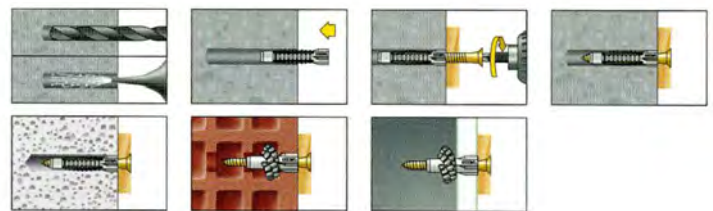
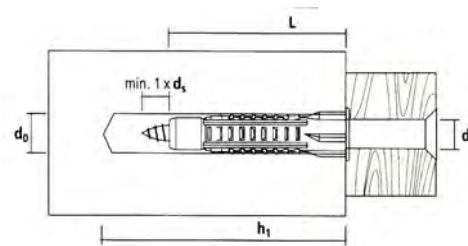
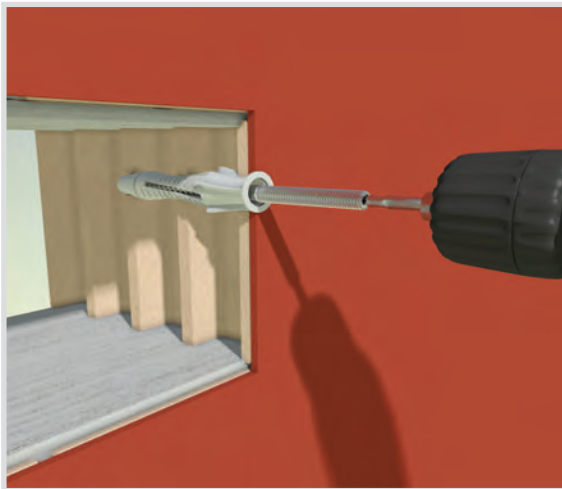
Art. 625 FL - Jeko® for washbasin



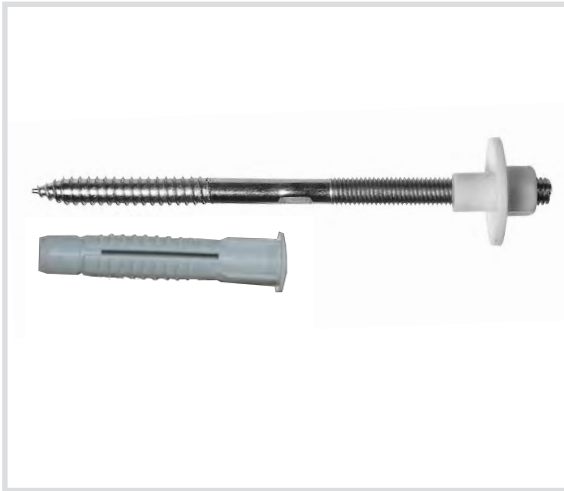
Technical specifications and advantages

- Steel hanger bolt - Galvanised, with torx
- Each kit contains: 2 M10 nuts (DIN 934), 2 iron-wood rods, 2 grey HDPE anchors , 2 white HDPE studs with through hole
- LDPE packs

Code	d _o x L anchor [mm]	Hanger bolt (Ø x Length)
625200	10 x 59	M8 x 90
625201	12 x 71	M10x120
625202	12 x 71	M10x140
625204	12 x 71	M10x180
625206	12 x 71	M10x230

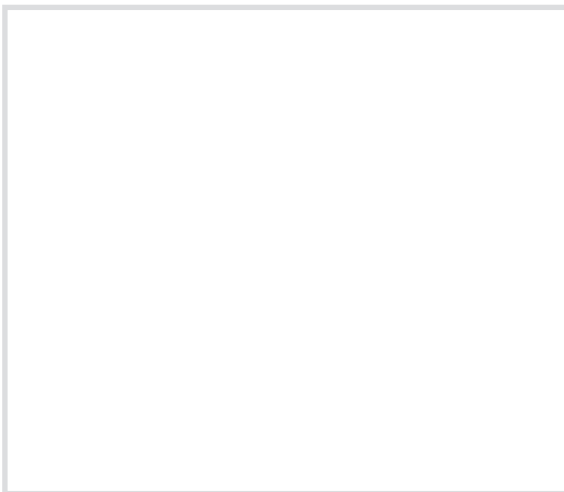


Art. 6251 FC - Jeko® wall cisterns

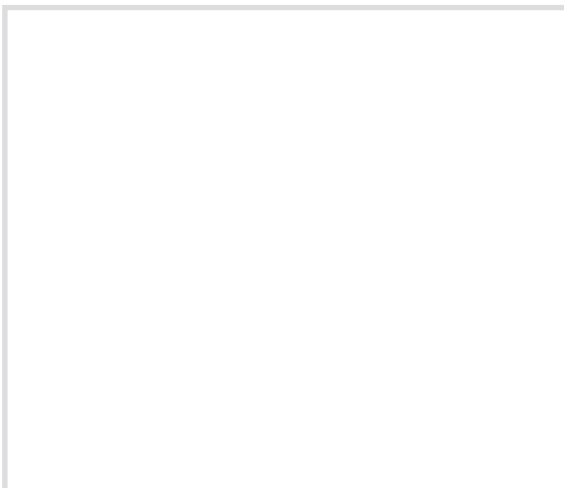


Technical specifications and advantages

- Hanger bolt made of steel
- Galvanised, with torx
- Each kit contains: 2 iron-wood hanger bolts, 2 polyamide threaded studs, 2 grey HDPE anchors
- LDPE packs



Code	Anchor [mm]	Hanger bolt (Ø x L)
625110	10 x 59	M8 x 90
625112	12 x 71	M10 x 120
625114	12 x 71	M10 x 120

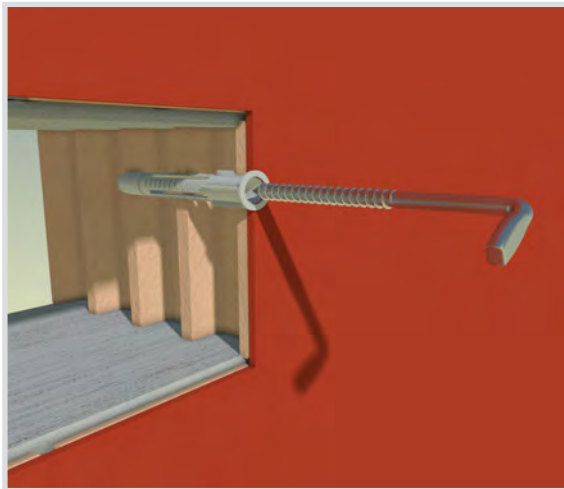


Art. 626 CS - Jeko® for water heaters

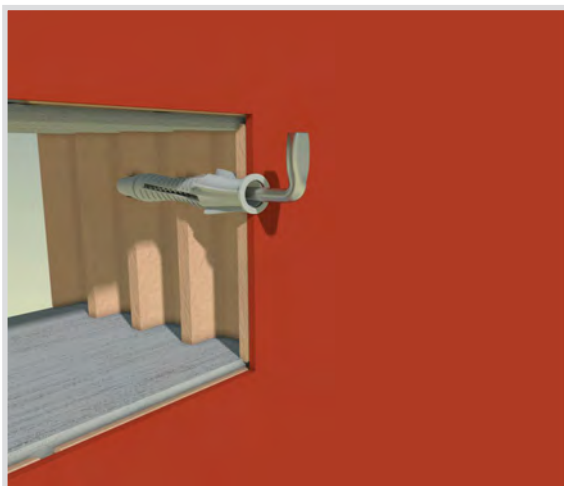


Technical specifications and advantages

- Steel hook - Galvanised
- Each pack includes: 2 Hooks, 2 grey HDPE anchors
- LDPE packs
- High performing anchor on drilled and semi-compact walls



Code	Anchor [mm]	Hook (Ø x L)
626004	10 x 59	8 x 70
626001	12 x 71	10 x 75
626002	12 x 71	10 x 95



Art. 627 Jeko® floor toilet-bidet fastening



Technical specifications and advantages

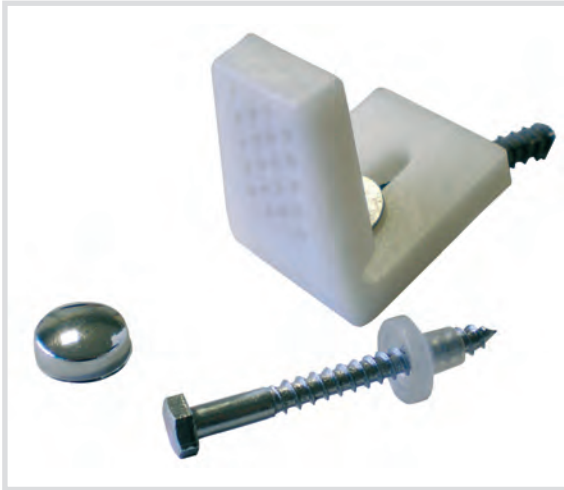
- Each kit contains: 4 iron-wood Hanger bolts, 4 clear HDPE studs with through hole, 4 M6 stainless steel blind nuts, 4 grey HDPE anchors
- LDPE packs
- Elongated blind nut for easier assembly



Code	Anchor [mm]	Hanger bolt (Ø x L)	Hanger bolt material
627000	10 x 50	M6 x 75	Galvanised
627005	10 x 50	M6 x 110	Galvanised
627010	8 x 40	M6 x 80	Stainless steel



Art. 6275 Jeko® lateral self-centring toilet and bidet



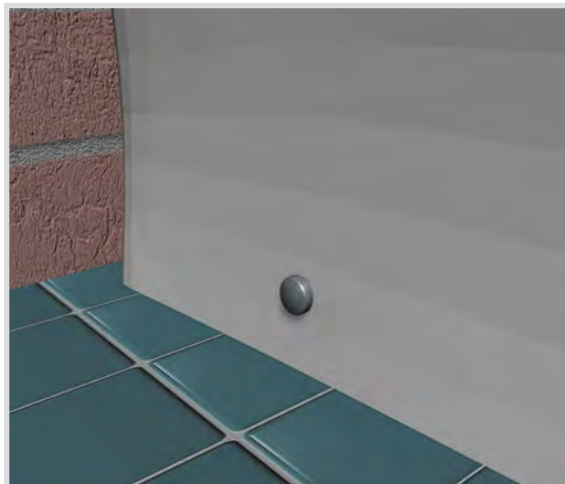
Technical specifications

- Each kit contains: 2 complete sets in LDPE pack
- Kit consisting of:
 - 7x50 hexagonal head screw
 - PP anchor 10x50
 - Head cover in chromed PP (polypropylene).
 - Multi-hole angle bracket in ABS
 - Bush in white HDPE
 - Cross cut screw 5x70

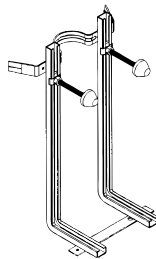


Code

627501



Art. 637050 Wall-in support for toilets and bidets without fixings



Technical specifications and advantages

- The same model is suitable for both toilet bowls and bidets
- With galvanised foot for floor assembly
- Made of galvanised steel

Code	Description	Centre distance	Payload [N]
637050	To be assembled	180-230	4000
637056	Pre-assembled	180	4000

Art. 1600 Caps for hung brackets



Technical specifications

- Kit consisting of 2 galvanized M12 nuts, 2 washers, 2 white PP bushes, 2 white PP caps
- Packs in LDPE

Code	Description
160000	for suspended supports

Art. 6389 Self-supporting structure for plasterboard - toilet

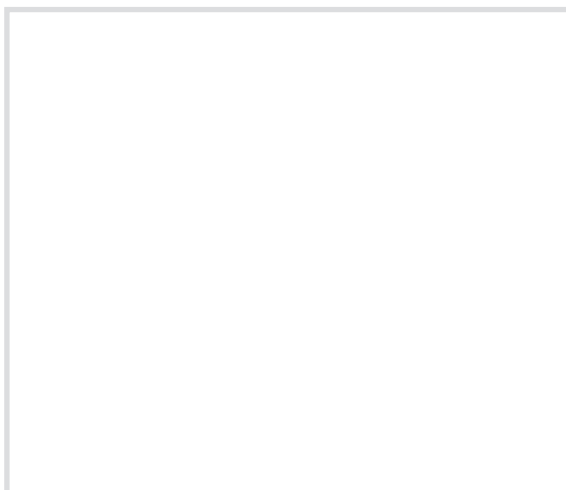


Technical specifications and advantages

- Pre-assembled load-bearing structure in galvanised steel
- Suitable for any installation height
- Assembly instructions in the package
- Capacity 400 kg - UNI EN 997:2012
- Centre distance 180/230



Code	Height		Width	
	max	min	max	min
638900	560	320	600	500

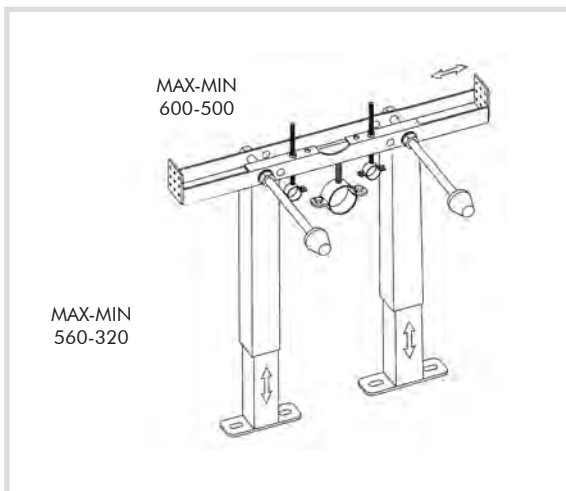


Art. 6388 Self-supporting structure for plasterboard - bidet

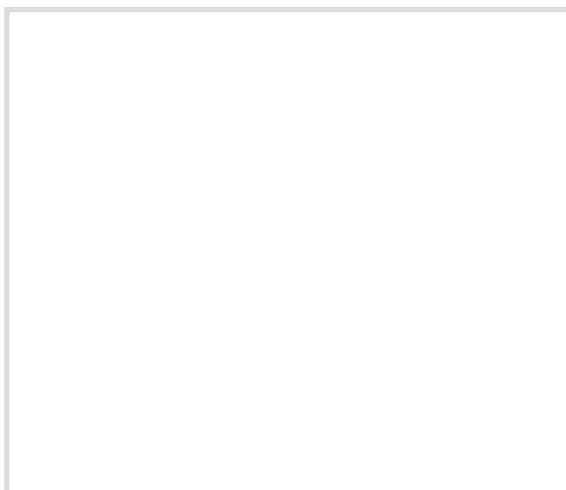


Technical specifications and advantages

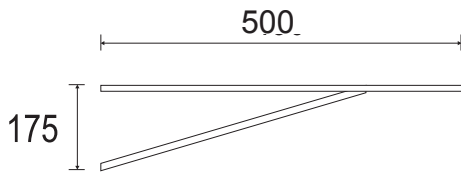
- Pre-assembled load-bearing structure in galvanised steel
- Suitable for any installation height
- Assembly instructions in the package
- Capacity 400 kg - UNI EN 997:2012
- Centre distance 180/230



Code	Height		Width	
	max	min	max	min
638800	560	320	600	500



Art. 632 Wall bracket for washbasin with wall-in rail prop



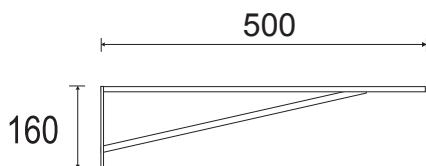
Technical specifications and advantages

- Made with C rod dim. 30 x 15 thick. 2 mm
- CO₂ welding
- Polyester-based thermosetting powder coating
- Colour: RAL 9010

Code	Rail prop section [mm]	Payload [N]
632000	9 x 9	1080



Art. 633 Wall bracket for washbasin with rail prop Fastening with screws and anchors



Technical specifications and advantages

- Made with C rod dim. 30 x 15 thick. 2 mm
- CO₂ welding
- Polyester-based thermosetting powder coating
- Colour: RAL 9010
- Includes 2 screws 8 x 70, 2 anchors 12 x 60, 2 washers

Code	Rail prop section [mm]	Payload [N]
633000	9 x 9	1080

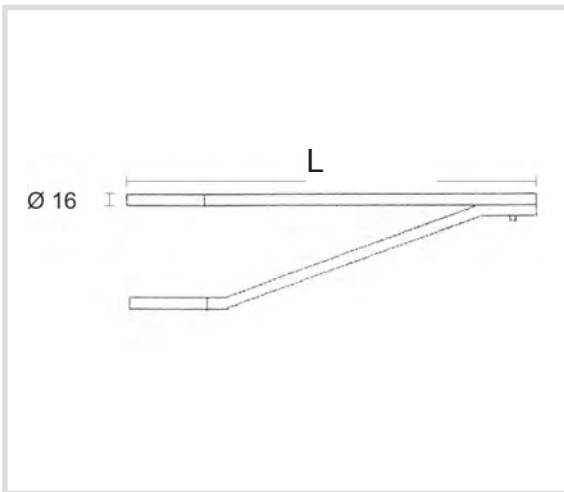


Art. 6336 Adjustable washbasin wall bracket

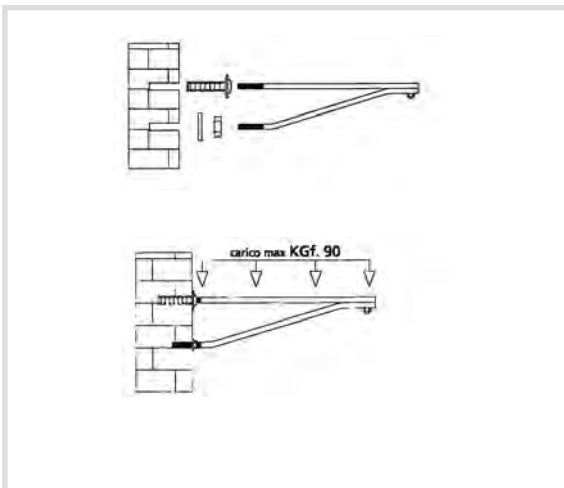


Technical specifications and advantages

- Painted RAL 9010
- In galvanised steel



Code	L	Anchor [mm]	Payload [N]
633610	cm 350	16 x 90	900
633611	cm 465	16 x 90	900

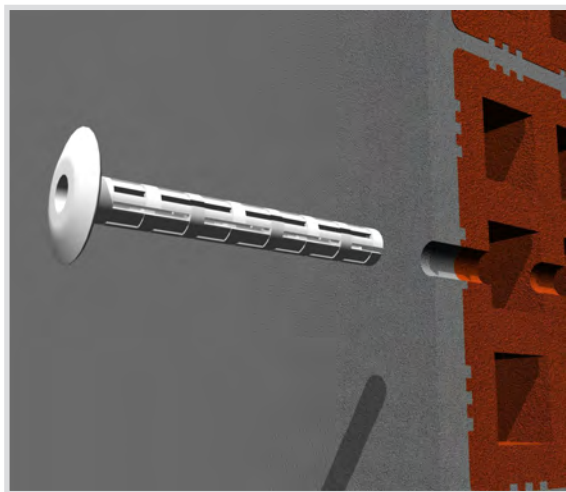
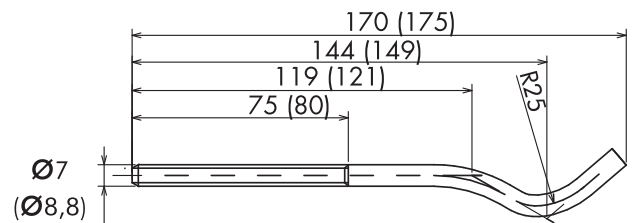


Art. 6281 Jeko® round telescopic bracket for aluminium radiator, galvanised and painted

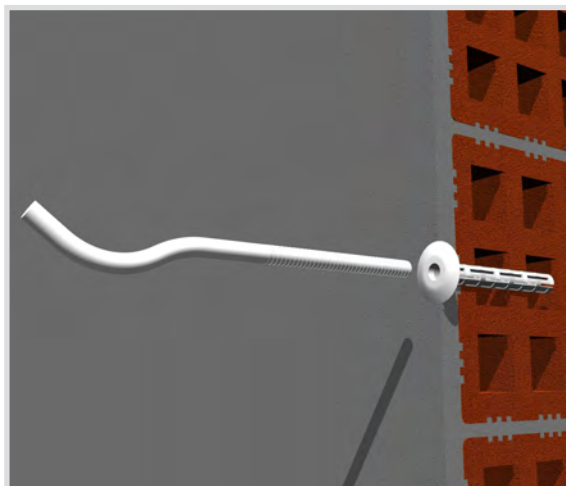


Technical specifications and advantages

- Made of galvanised steel
- Painted with polyester-based thermosetting powder, white RAL 9010
- Kit includes: 2 wall brackets, 2 mesh anchors
- LDPE packs



Code	Anchor (Ø x L) [mm]	Wall bracket Ø x L
628100	10 x 80	7 x 170
628160	12 x 80	8,8 x 175

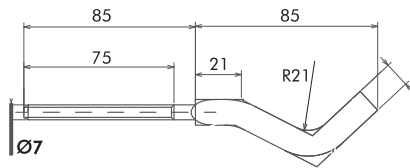


Art. 6285 Jeko® flat telescopic bracket for aluminium radiator, galvanised and painted, galvanised



Technical specifications and advantages

- Material: steel
- Galvanised
- Kit includes: 2 wall brackets, 2 mesh anchors
- LDPE packs



Code	Anchor (Ø x L) [mm]	Ø x L	Thickness Flat part
628501	10 x 80	7 x 170	3,8

Art. 631 Jeko® wall mounted bracket for aluminium radiator



Technical specifications and advantages

- Made with steel
- Galvanised

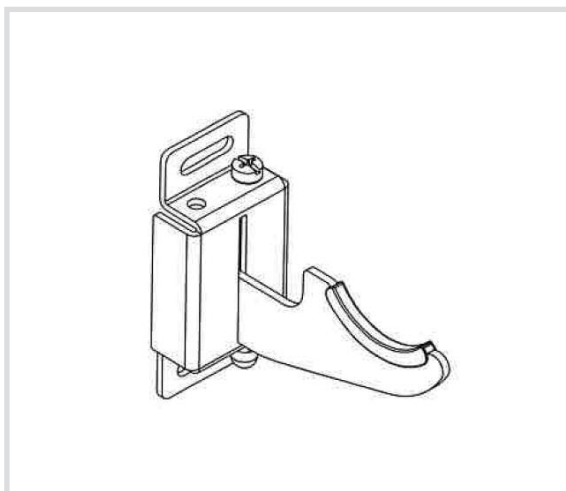
Code	Length [mm]	Thickness [mm]	Height [mm]
631000	180	2,0	22

Art. 628 Noise insulation Jeko® wall bracket for aluminum radiator
Noise insulation Jeko® wall bracket for aluminum radiator

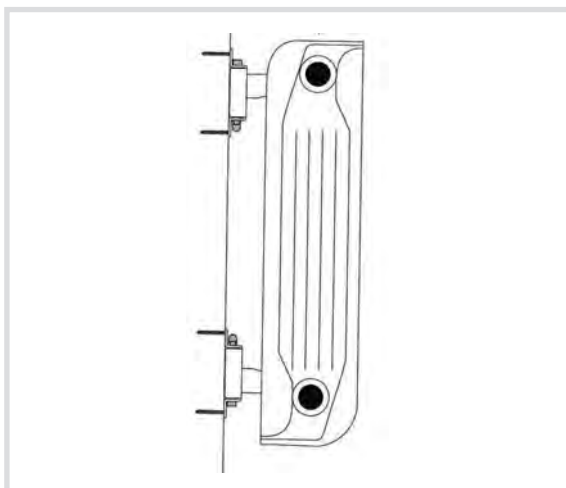


Technical specifications and advantages

- Made of steel
- Part fixed to the wall equipped with a white PVC plastic cover for aesthetic purposes
- Plasticised isophonic reinforcement on clear wall bracket
- Includes screws and anchors for wall assembly
- Adjustable height to have the radiator level
- Kit includes: 2 wall brackets, 2 hooks to be fastened to the wall, 4 screws 4.5x60 mm, 4 anchors 6x30, 2 adjustment screws, 2 blind nuts



Code	Height adjustment [mm]	Wall/axis distance radiator [mm]	Payload [N]
628007	20	72	500

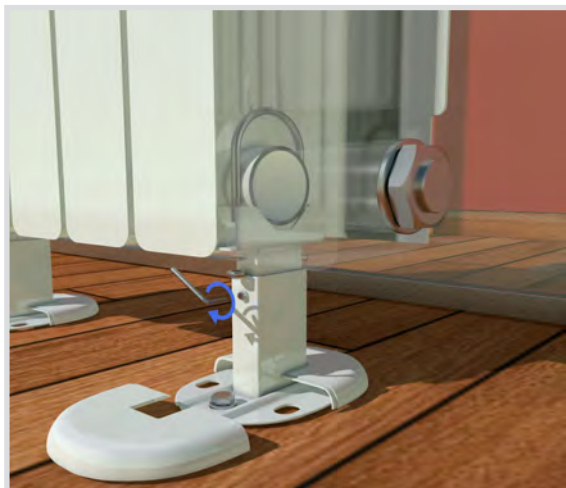
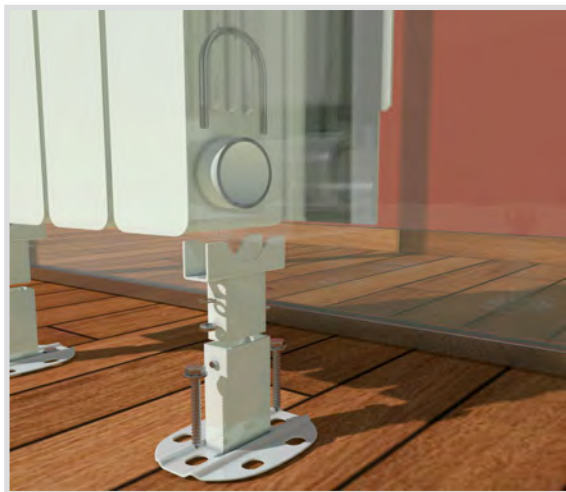
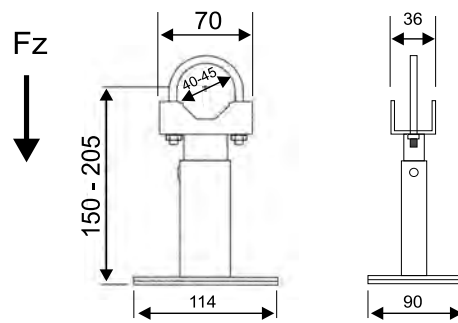


Art. 830010 Painted feet for aluminium radiators



Technical specifications and advantages

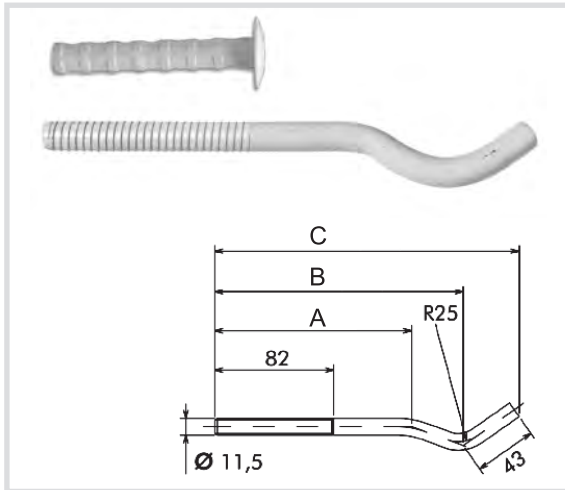
- To support aluminium radiators without drilling the wall
- Material: galvanised steel
- Base cover in ABS
- Painted white
- Includes accessories
- Hub diameter 40/45 mm
- Minimum height 150 mm - max 205 mm



Code	Max Payload [N]
830010	2000

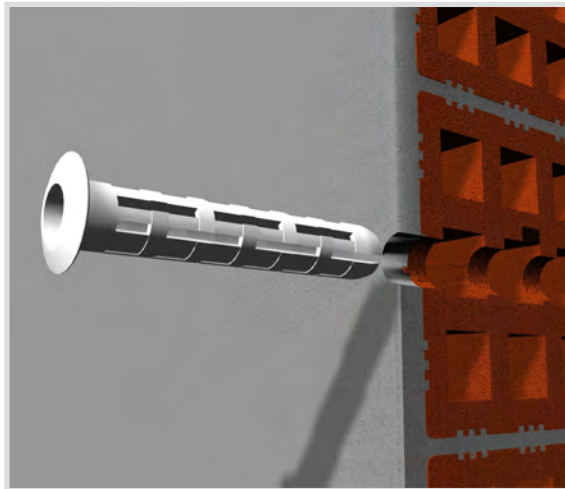


Art. 6291 Jeko® telescopic white galvanised bracket for cast iron and steel and painted radiators

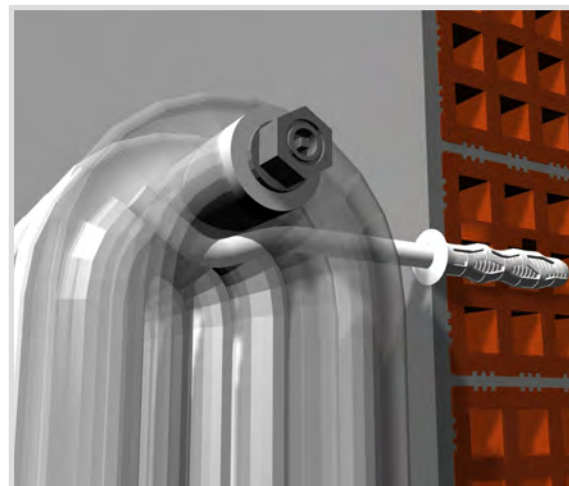
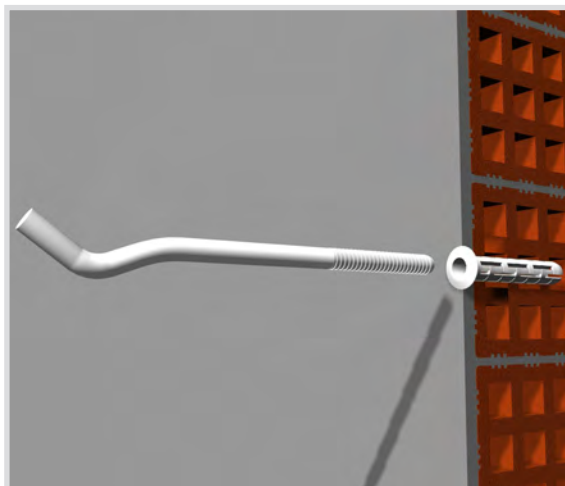


Technical specifications and advantages

- Made of galvanised steel
- Painted with polyester-based thermosetting powder, white RAL 9010
- Kit includes: 2 wall brackets, 2 mesh anchors
- LDPE packs



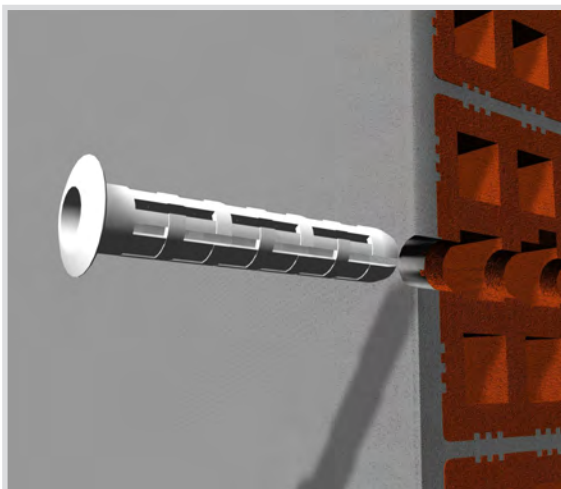
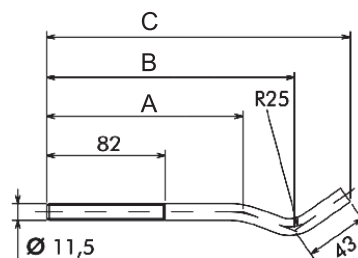
Code	Anchor (Ø x L) [mm]	A	B	C	X Radiators:
629101	16 x 90	136	171	205	2-4 columns
629102	16 x 90	176	211	245	4-6 columns
629103	16 x 90	185	222	260	5-6 columns



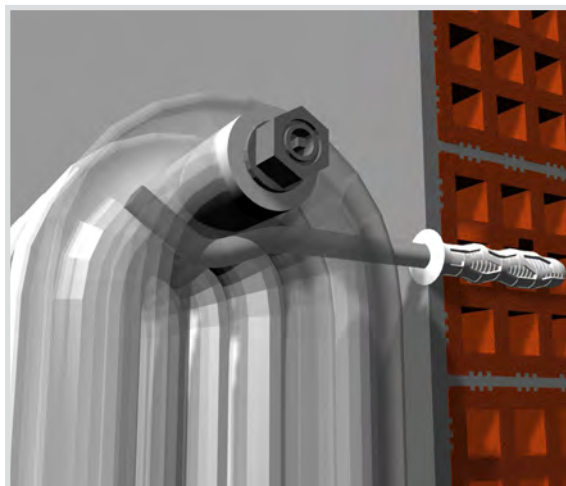
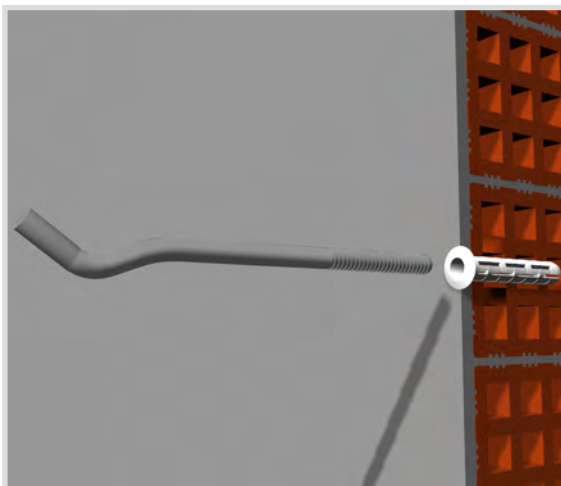
Art. 629 Jeko® Galvanized telescopic Jeko® for cast iron and column radiators

Technical specifications and advantages

- Made with galvanised steel
- Kit includes: 2 wall brackets, 2 mesh anchors
- LDPE packs



Code	Anchor (Ø x L) [mm]	A	B	C	X Radiators:
629001	16 x 90	136	171	205	2-4 columns
629002	16 x 90	176	211	245	4-6 columns
629003	16 x 90	185	222	260	5-6 columns

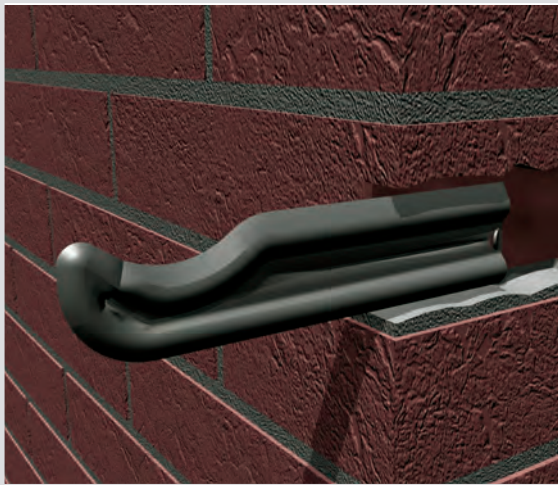


Art. 630 Wall bracket for cast iron radiator



Technical specifications and advantages

- Made with 1.0332 steel
- Ribbed and galvanised
- Suitable for all cast iron radiators



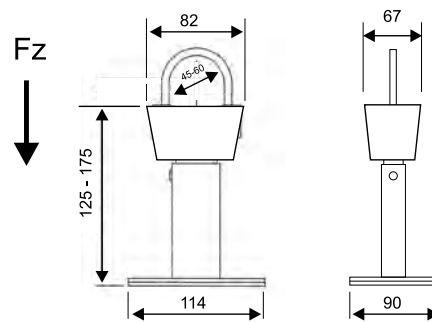
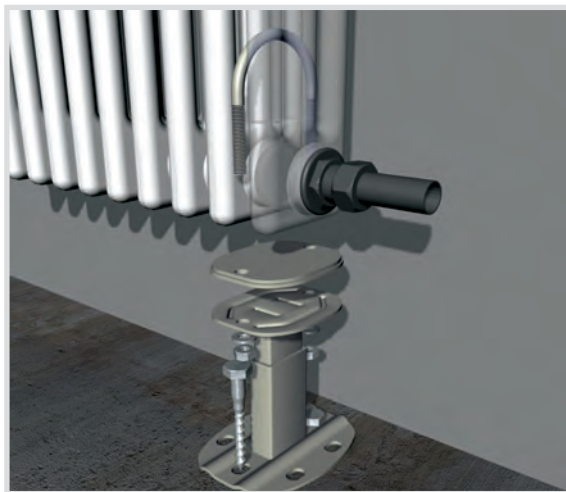
Code	Length [mm]	Thickness [mm]	Height [mm]
630004	190	1,5	45
630001	230	1,5	45
630002	260	1,5	45
630003	290	1,5	45

Art. 830000 Painted feet for cast iron and column radiators



Technical specifications and advantages

- To support cast iron or tubular radiators without drilling the wall
- Materials: Foot made of 1.0332 steel, cover in ABS
- Painted white
- Includes accessories
- Hub diameter 45/60 mm
- Minimum height 125 mm - max 175 mm

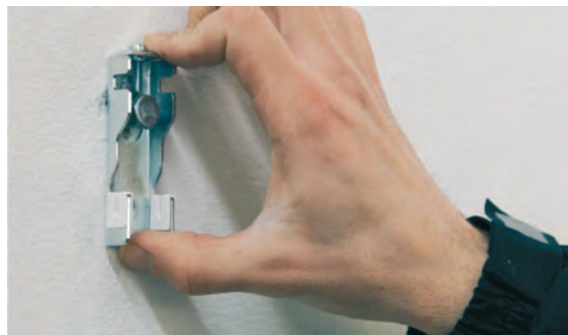


Code	Max payload [N]
830000	Fz = 2000

WATCH THE VIDEO



Jeko® Invisible



Art. 629553 Jeko® invisible for column radiators

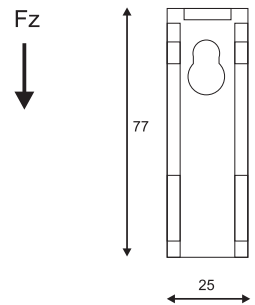


Technical specifications and advantages

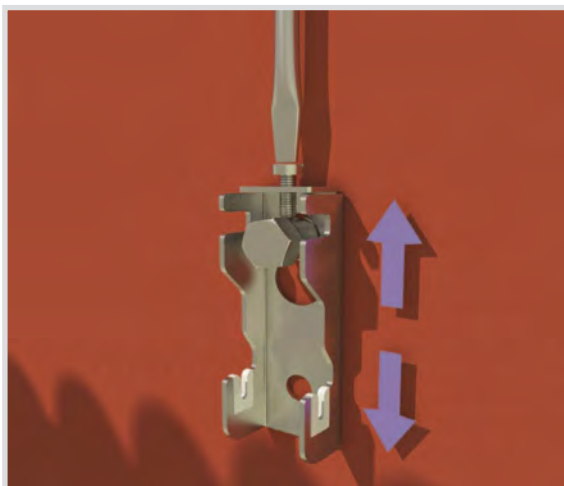
WATCH THE VIDEO



- Made of galvanised steel
- Visible part painted white
- Universal for all types of tubular radiators
- With wall bracket cover in white ABS
- Height-adjustable
- A spacer is included in the package
- The fastening is "invisible" once the radiator is assembled



Code	Max payload [N]
629553	Fz = 1500
629600	Spacer

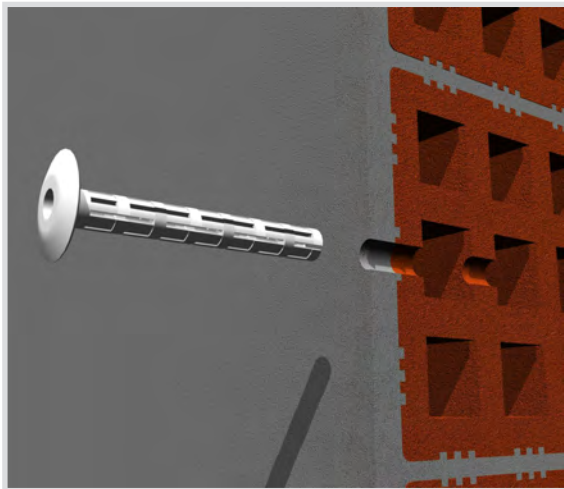


Art. 6295 Jeko® telescopic for column radiator, galvanised and painted

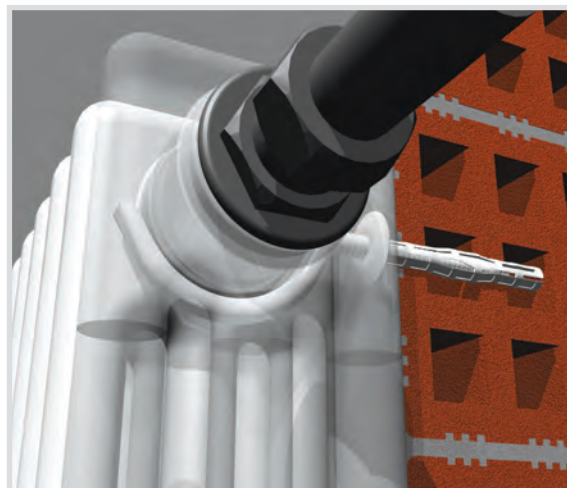
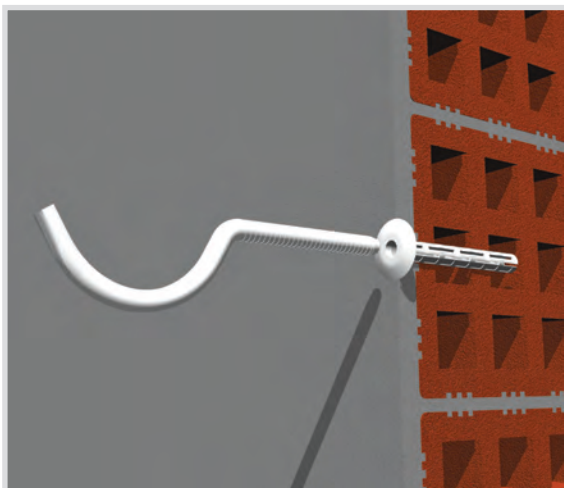


Technical specifications and advantages

- Made of steel
- Painted with polyester-based thermosetting powder, white RAL 9010
- Kit includes: 2 wall brackets, 2 mesh anchors
- LDPE packs



Code	Anchor (Ø x L) [mm]	Wall bracket Ø x L	Tubular diameter
629501	12 x 80	8,5 x 160	63
629502	12 x 80	8,5 x 190	63
629504	12 x 80	8,5 x 230	63



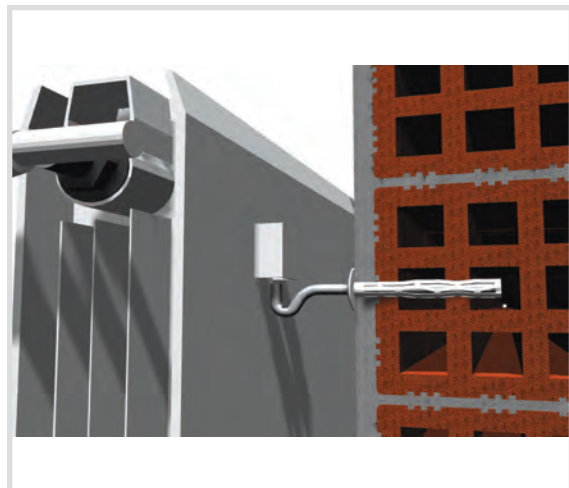
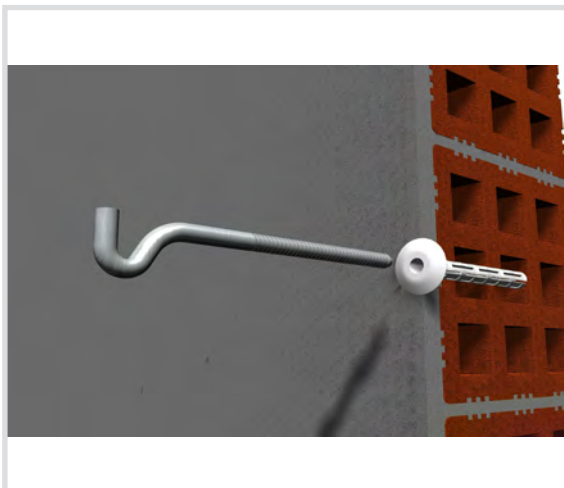
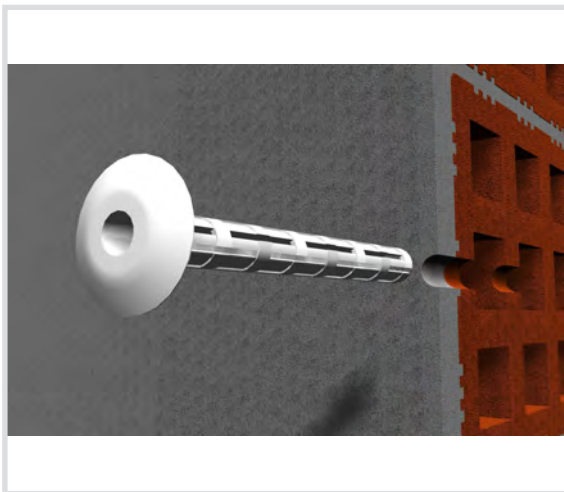
Art. 6286 Jeko® telescopic bracket for laminated radiator



Technical specifications and advantages

- Made with steel
- Galvanised
- Kit including: 2 wall brackets, 2 mesh anchors
- LPDE packs

Code	Anchor Ø x L	Wall bracket Ø x L	Payload [N]
628621	10 x 80	7 x 130	370

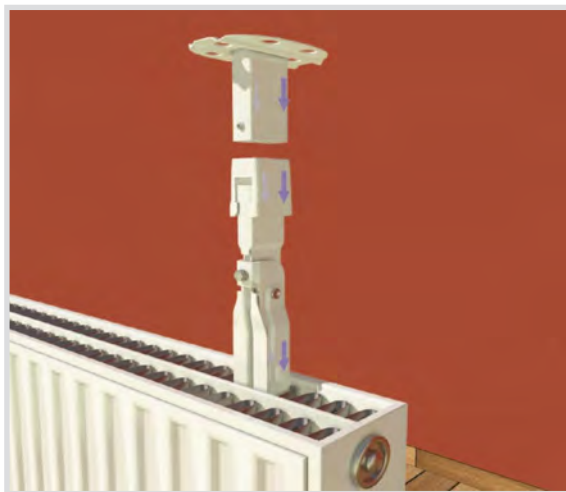
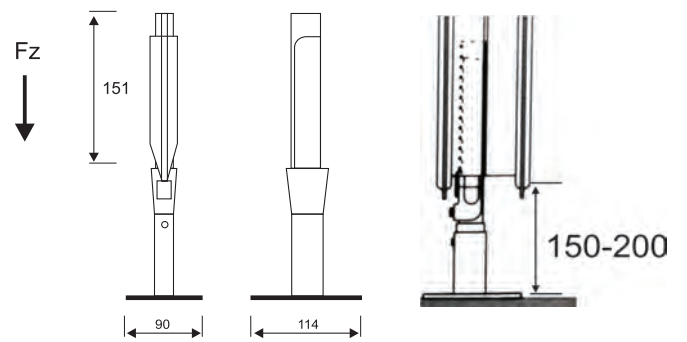


Art. 830020 Painted feet for laminated radiators



Technical specifications and advantages

- To support plate radiators without drilling the wall
- Painted white
- Universal for all types of plate radiators
- Includes accessories
- Adjustable in height min. 150mm - max 200mm



Code	Max payload [N]
830020	Fz = 2000

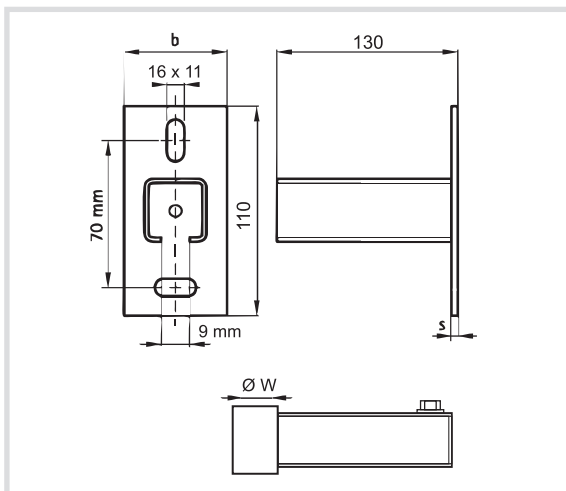


Art. 821000 Jeko® for expansion vessel



Technical specifications and advantages

- Material: galvanised steel
- Includes bolts and anchors for wall fastening
- For all types of expansion vessels
- Continuous adjustment of the distance from the wall
- Slots in the base at 90° for error-proof installation
- Grey polyamide anchors, 10x60



Code	L [mm] Minimum - Maximum	W	b x s [mm]	Payload [N]
821027	150 - 230	3/4	48 x 5,0	750
821000	150 - 235	1"	48 x 5,0	750

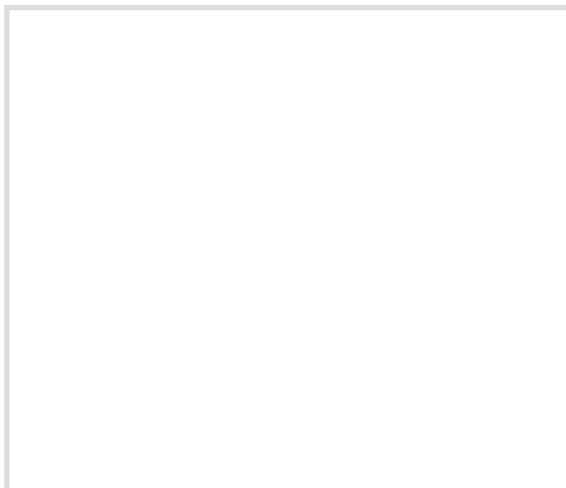
Flexibility



Item 241006 1" x 3/4" reduction to transform the wall bracket from 1" into 3/4"



Item 247004 reduced extension 1" x 3/4" to transform the wall bracket from 3/4" into 1"

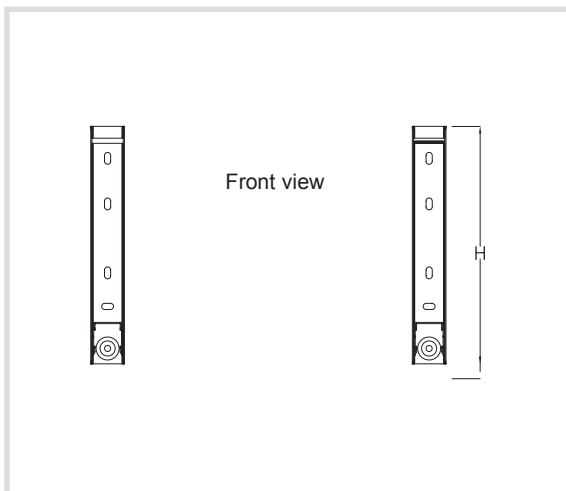


Art. 828 L-shaped wall bracket for air conditioning outdoor units

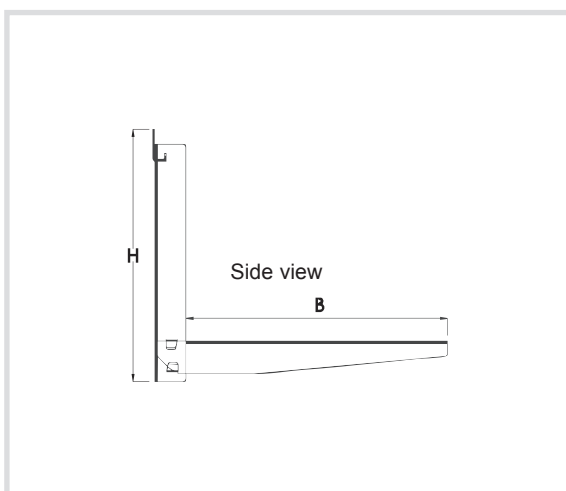


Technical specifications and advantages

- Material: steel
- Galvanised
- Painted with polyester-based thermosetting powder
- Includes anti-vibration kit and fastenings for wall installation



Code	Material	B [mm]	H [mm]	Thickness [mm]	Payload [kg]
828001	Galvanised	380	400	1,5	120
828002	Galvanised	450	400	1,5	120
828031	Stainless steel	380	365	1,5	120
828032	Stainless steel	450	365	1,5	120



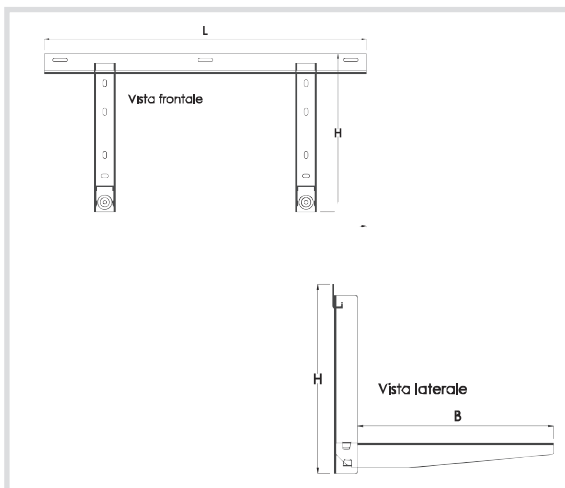
Art. 826 Adjustable wall bracket for air conditioning outdoor unit



Technical specifications and advantages

- Material: steel
- Galvanised
- Painted with polyester-based thermosetting powder
- Includes anti-vibration kit and fastenings for wall installation

Code	L barra [mm]	B mens. [mm]	H [mm]	Thickness [kg]	Payload [kg]
826001	800	410	400	1,5	120
826002	800	480	400	1,5	120
826010	1000	480	400	1,5	120



Art. 826003 Pre-assembled adjustable wall bracket for air conditioner outdoor unit

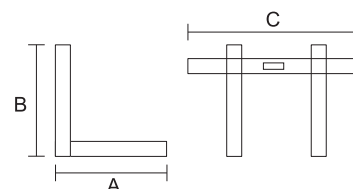


Technical specifications and advantages

- Pre-assembled brackets for quick assembly with adjustable rear feet and side pins with self-locking nut
- Pre-assembled spirit level on the wall bar
- Galvanised steel wall bracket
- Painted with polyester-based thermosetting powder
- No tools are required to attach the wall bar to the side brackets
- Arrangement for the condensate collection tray
- Components supplied inside the box:
 - 2 pre-assembled brackets
 - Wall bar with spirit level
 - 4 sliding vibration dampers kits
 - 5 anchors and 5 fastening screws for wall installation
 - 2 pre-assembled adjustable rear feet
 - 4 extra side pins for fastening of the brackets (2 already pre-assembled)



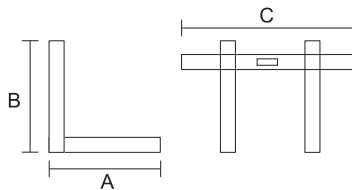
Code	C rod [mm]	A Wall bracket [mm]	B [mm]	Thickness [kg]	Payload [kg]
826003	800	450	350	1,5	120



WATCH THE VIDEO



Art. 8267 Adjustable wall bracket for outdoor unit for air conditioners for industrial applications



Technical specifications and advantages

- Made of galvanised steel
- Painted with epoxy-based thermosetting powder
- Includes vibration dampers and wall fastenings kit
- Standard level and spacer foot for correct positioning

Code	C-Length rod [mm]	A - Wall bracket arm [mm]	B - Wall bracket height [mm]	Thick. [mm]	Payload [kg]
826704	800	560	400	2	150 kg

Art. 8265 Roof bracket for air conditioning outdoor unit

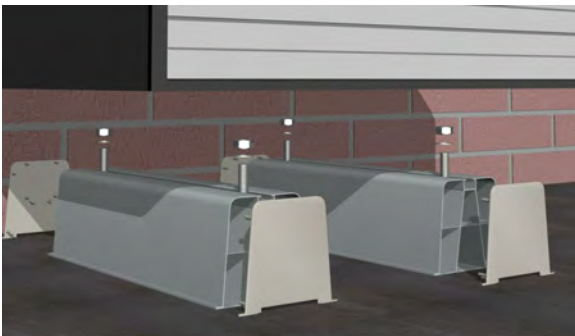


Technical specifications and advantages

- Made of steel
- Galvanised and painted
- Includes vibration dampers and fastenings kit

Code	Length rod [mm]	H x Wall bracket arm [mm]	Tiltable from - to
826510	850	520 x 450	10° - 40°

Art. 8283 Floor support with screws



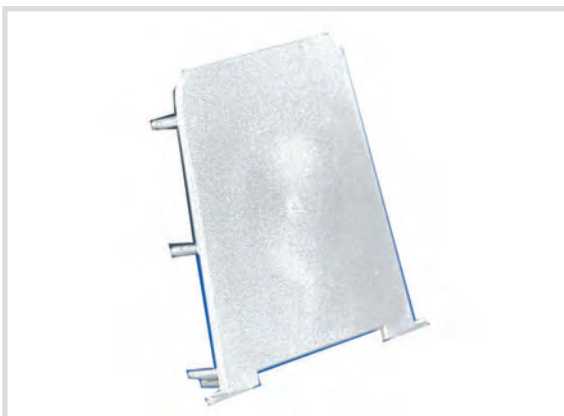
Technical specifications and advantages

- Made of non-toxic ivory PVC
- Use temperature: 60°C - 20°C
- Includes vibration dampers and fastenings kit
- In pack of 2 pcs. with 4 assembly screws and bolts

Code	Support length [mm]	Colour	Max support capacity [N]
828310	350	White	1500*
828311	450	White	1500*

* For single support

Art. 828313 Terminal for support



Caratteristiche tecniche e vantaggi

- Terminal for closure item 828310 and 828311

Code	Colour
828313	White

Art. 8284 Floor bases including screws



Technical specifications and advantages

- Material: PVC
- Ivory
- In kit consisting of 2 pieces with assembly screws

Code	Height [mm]	Length [mm]	Colour
828405	78	350	White
828406	78	450	White



Art. 7777 Condensate collection tray



Technical specifications and advantages

- Basin in ABS
- Includes assembly kit and brackets

Code	Measurements Ø L x H
777790	790 x 420

Art. 7664 Rubber vibration dampers



Technical specifications and advantages

- Each kit contains 4 complete vibration dampers
- M8 screws

Code	Measurements Ø [mm]	Length [mm]
766403	40 conical	23