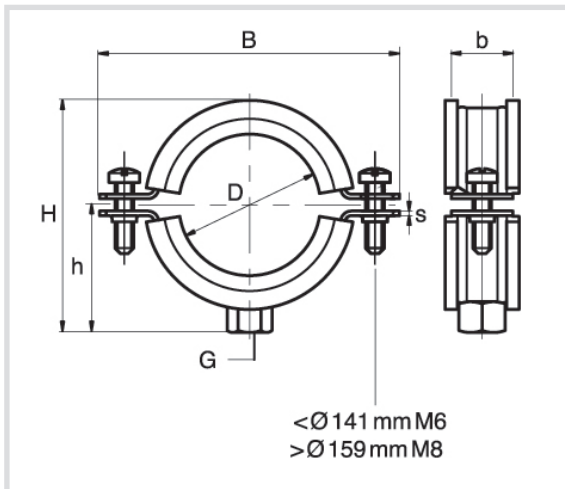


Art. 4311 Rolf - Pipe clamp with rubber lining - AISI 316



Technical specifications and advantages

- Made of AISI 316 (A4) stainless steel - polished
- M8 nut for diameters from 1/4 to 2"
- M10 nut for diameters > 2"
- Side screws in stainless steel, TE combi cut
- Age-resistant rubber
- Tested for DIN 4109 noise insulation
- Pre-assembled with washers on the screws to avoid losing them when assembling the pipe



Code	D [mm]	D ["]	D [DN]	G	B [mm]	H [mm]	h [mm]	b x s [mm]	Payload [N]
4311012	12-14	1/4	8	M8	58	34	20	20 x 1,25	900
4311018	15-19	3/8	10	M8	62	37	21	20 x 1,25	900
4311022	20-23	1/2	15	M8	64	41	24	20 x 1,25	900
4311027	25-28	3/4	20	M8	70	47	26	20 x 1,25	900
4311033	32-35	1	25	M8	78	54	28	20 x 1,25	900
4311042	40-43	1 1/4	32	M8	85	61	32	20 x 1,25	900
4311048	44-49	1 1/2	40	M8	92	78	46	20 x 1,25	900
4311050	50-56	-	-	M8	97	84	49	20 x 1,5	1150
4311064	60-64	2	50	M8	108	88	58	20 x 2,0	1350
4312067	64-67	-	-	M10	113	93	55	20 x 2,0	1350
4312076	74-80	2 1/2	65	M10	118	98	52	20 x 2,0	1350
4312085	79-85	-	-	M10	124	104	55	20 x 2,0	1350
4312091	85-91	3	80	M10	130	109	58	20 x 2,0	1350
4312106	100-106	-	-	M10	154	135	72	20 x 2,0	1350
4312116	108-115	4	100	M10	158	137	72	25 x 2,0	1350
4312132	124-132	-	-	M10	170	149	78	20 x 2,5	1710
4312141	133-141	5	125	M10	179	159	83	20 x 2,5	1710
4312168	159-168	6	150	M10	233	195	101	25 x 2,5	1710
4312219	210-219	8	200	M10	285	247	126	25 x 2,5	1710
4312250	244-250	-	-	M10	317	279	142	25 x 2,5	1710

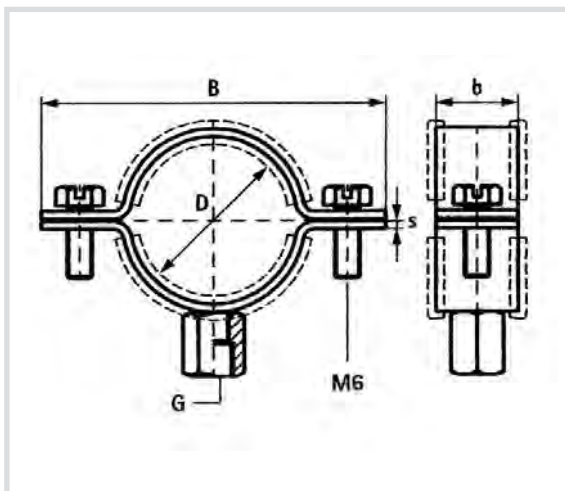


Art. 441 Pipe clamp with rubber lining M8/M10 - AISI 316



Technical specifications and advantages

- With M8/M10 nut
- In AISI 316 stainless steel
- Pre-assembled with washers on the side screws
- Age-resistant rubber



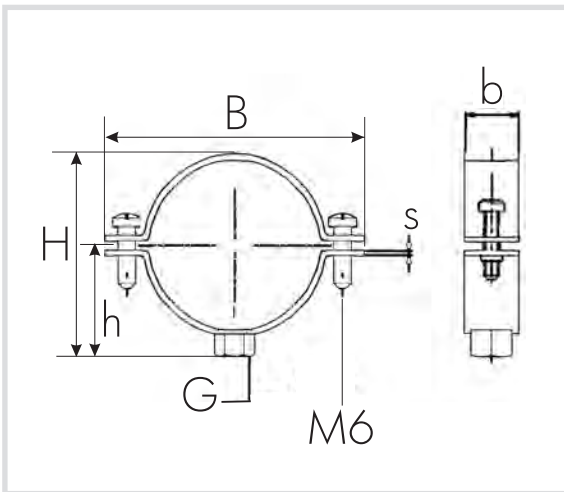
Code	D [mm]	D ["]	G	b x s [mm]	B [mm]
441018	15-18	3/8	M8/M10	20x2,0	65
441021	20-24	1/2	M8/M10	20x2,0	69
441028	26-30	3/4	M8/M10	20x2,0	74
441035	32-36	1	M8/M10	20x2,0	81
441040	38-42	1 1/4	M8/M10	20x2,0	89
441048	47-50	1 1/2	M8/M10	20x2,0	100
441054	51-55	-	M8/M10	20x2,0	102
441060	60-64	2	M8/M10	20x2,0	114
441070	67-73	-	M8/M10	20x2,0	124
441075	75-80	2 1/2	M8/M10	20x2,0	130
441090	87-92	3	M8/M10	20x2,0	141
441100	100-106	-	M8/M10	20x2,0	165
441110	106-112	-	M8/M10	20x2,0	171
441115	114-119	4	M8/M10	20x2,0	180
441125	124-131	-	M8/M10	20x2,0	191

Art. 619X Pipe clamp without hanger bolt and plug - AISI 304

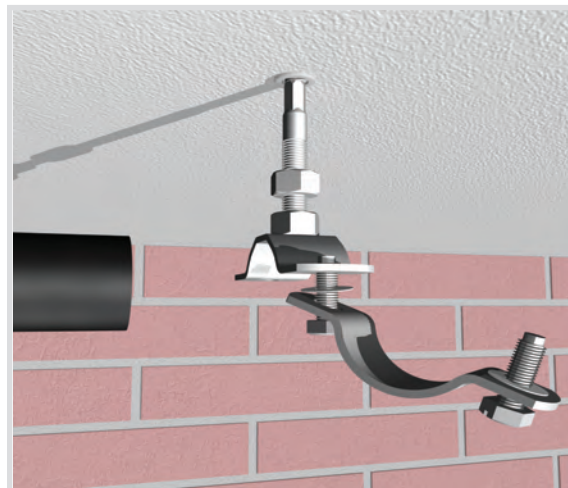


Technical specifications and advantages

- Polished
- M8 nut for diameters from 3/8 to 2", M10 nut for diameters greater than 2"
- Diameters from 3/8 to 2" : pre-assembled clamp, with retaining ring on the side screws
- Side screws in stainless steel, TE combi cut
- For installations in corrosive environments
- Rounded edges, no sharp edges



Codice	Measure Ø [mm]	G	Screws (Ø x L) [mm]	b x s [mm]	Payload [N]
619X18	(16-19) 3/8	M8	M6 x 16	20 x 2,0	1120
619X21	(20-23) 1/2	M8	M6 x 16	20 x 2,0	1120
619X27	(26-28) 3/4	M8	M6 x 16	20 x 2,0	1120
619X34	(32-35) 1"	M8	M6 x 16	20 x 2,0	1120
619X42	(40-43) 1 1/4	M8	M6 x 16	20 x 2,0	1120
619X48	(44-49) 1 1/2	M8	M6 x 16	20 x 2,0	1120
619X60	(57-61) 2"	M8	M6 x 16	20 x 2,0	1120
619X75	2 1/2	M10	M6 x 20	30 x 2,5	1610
619X90	3"	M10	M6 x 20	30 x 2,5	1610
619X10	4"	M10	M6 x 20	30 x 2,5	1610
619X11	5"	M10	M6 x 20	30 x 2,5	1610
619X12	6"	M10	M6 x 20	30 x 2,5	1610

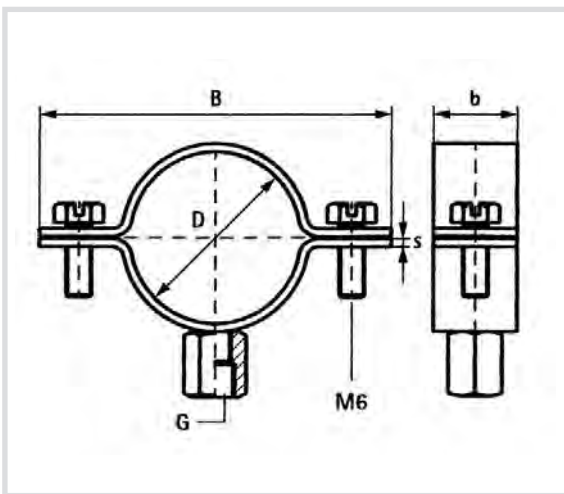


Art. 440 Pipe clamp M8/M10 - AISI 316



Technical specifications and advantages

- Polished
- In AISI 316 stainless steel
- Pre-assembled with washer on the side screws
- For installations in corrosive environments
- With M8/M10 nut



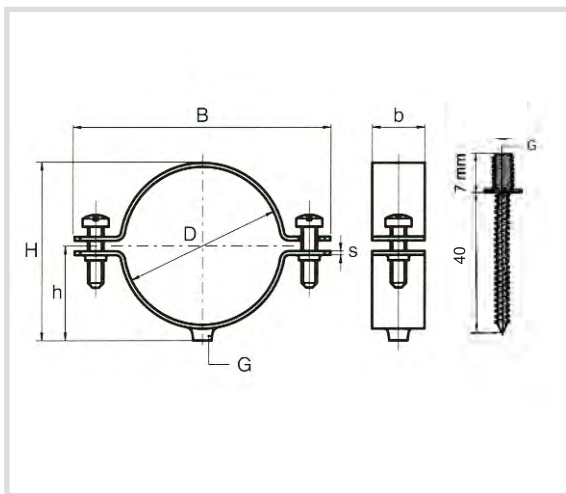
Code	D [mm]	D ["]	DN ["]	G	b x s [mm]	B [mm]
440018	15-18	3/8	10	M8/M10	20x2,0	54
440021	20-24	1/2	15	M8/M10	20x2,0	62
440027	26-30	3/4	20	M8/M10	20x2,0	66
440034	32-36	1	25	M8/M10	20x2,0	72
440042	40-43	1 1/4	32	M8/M10	20x2,0	80
440048	44-49	1 1/2	40	M8/M10	20x2,0	87
440054	51-55	-	-	M8/M10	20x2,0	94
440060	60-64	2	50	M8/M10	20x2,0	102
440070	67-73	-	-	M8/M10	20x2,0	118
440076	75-80	2 1/2	65	M8/M10	20x2,0	125
440089	87-92	3	80	M8/M10	20x2,0	141
440100	99-105	-	90	M8/M10	20x2,0	155
440110	106-112	-	-	M8/M10	20x2,0	162
440115	114-119	4	100	M8/M10	20x2,0	171
440125	124-131	-	-	M8/M10	20x2,0	179
440140	133-140	5	125	M8/M10	20x2,0	190
440160	159-165	6	150	M8/M10	20x2,0	211
440200	199-212	-	-	M8/M10	20x2,0	253

Art. 610 CH4 - Light pipe clamp with hanger bolt and anchor - AISI 304

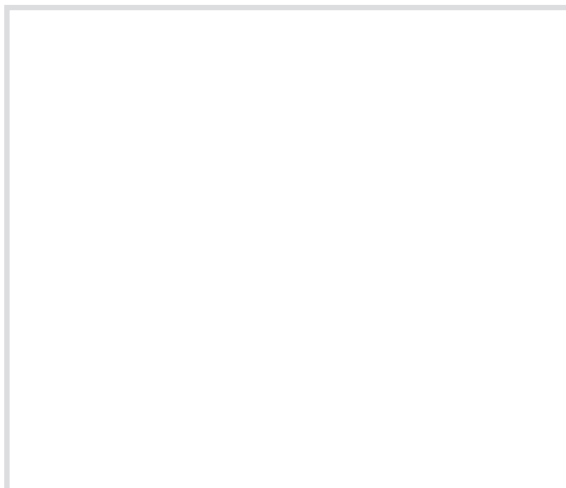


Technical specifications and advantages

- Made of AISI 304 stainless steel
- Side screws M5 x 12
- LDPE packs, 10 pcs per pack
- M6 hanger bolt attachment
- Includes M6x40 hanger bolt (in AISI 316 stainless steel) and 8x40 PP anchor



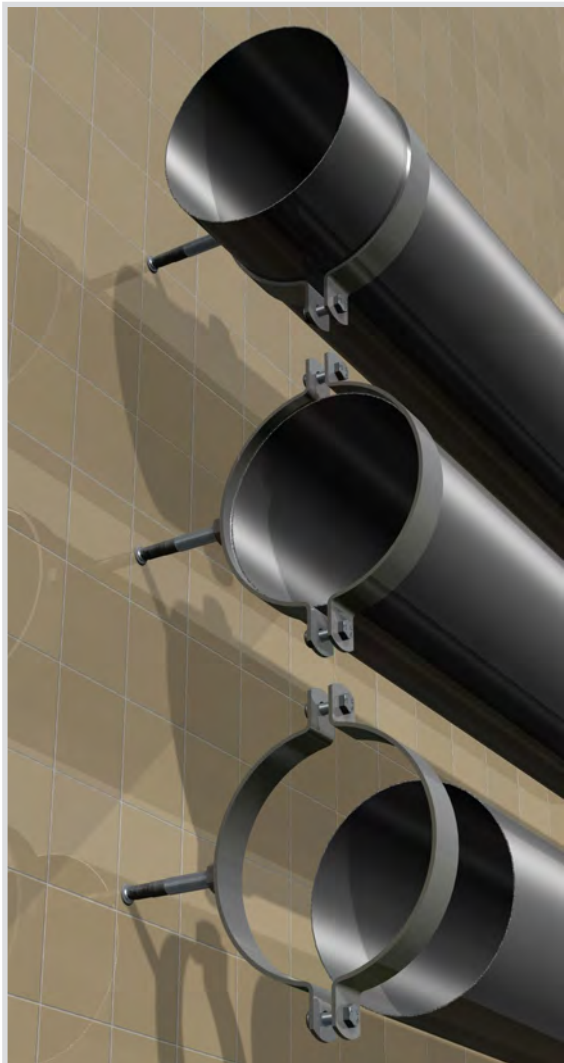
Code	D [mm]	G	H [mm]	B [mm]	h [mm]	b x s [mm]
610012	12	M6	24	45	13	11x1,5
610015	14-16	M6	24	45	15	11x1,5
610018	18	M6	27	45	14	11x1,5
610022	22	M6	28	46	16	11x1,5
610028	28	M6	35	55	20	11x1,5
610035	35	M6	42	68	25	11x1,5



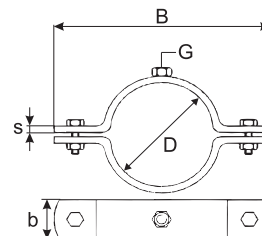
Art. 6150 Two piece pipe clamp with nut - AISI 304

Technical specifications and advantages

- Made of Aisi 304 stainless steel
- Rounded edges, no sharp edges
- Closing screws: M8x20 up to dimension 34 mm, M8x25 for dimensions greater than 34 mm
- TIG welding of the nut
- Pre-assembled with self-locking nuts
- Circular clamp for perfect pipe-clamp adhesion
- Also available with pre-fitted rubber
- On request also in AISI 316



Code	Measure. Ø [mm]	s [mm]	b [mm]	G [Ø]	B [mm]	Payload [N]
6150010	10	3	30	M8	60	2000
6150012	12	3	30	M8	65	2000
6150018	18	3	30	M8	71	2000
6150021	21,3	3	30	M8	74	2000
6150025	25,4	3	30	M8	78	2000
6150027	26,9	3	30	M8	80	2000
6150028	28	3	30	M8	80	2000
6150034	34	3	30	M8	87	2000
6150038	38	3	30	M8	90	2000
6150040	40	3	30	M8	93	2000
6150042	42,4	3	30	M8	93	2000
6150048	48,3	3	30	M10	101	2400
6150052	51/52	3	30	M10	105	2400
6150060	60,3	3	30	M10	113	2400
6150063	63,5	3	30	M10	118	2400
6150070	70	3	30	M10	123	2400
6150076	76,1	3	30	M10	129	2400
6150080	80	3	30	M12	133	2800
6150085	85	3	30	M12	138	2800
6150089	88,9	3	30	M12	142	2800
6150101	101,6	3	30	M12	154	2800
6150104	104	3	30	M12	156	2800
6150114	114,3	3	30	M12	168	2800
6150140	139,7	3	30	M12	193	2800
6150154	154	3	30	M12	207	2800
6150160	160	3	30	M12	214	2800
6150168	168,3	3	30	M12	221	2800
6150200	200	3	30	M16	239	3200
6150204	204	3	30	M16	257	3200
6150219	219,1	3	30	M16	272	3200
6150254	254	3	30	M16	307	3200
6150273	273	3	30	M16	326	3200
6150306	306	3	30	M16	360	3200
6150315	316	3	30	M16	385	3200
6150355	355	3	30	M16	410	3200
6150406	406,4	3	30	M16	425	3200

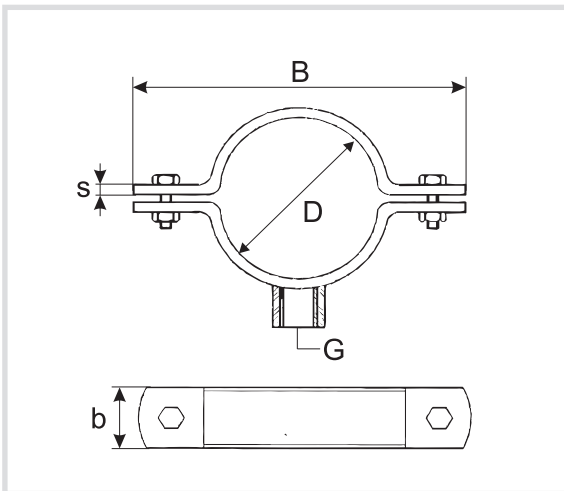


Art. 6155 Two-piece pipe clamp with sleeve - AISI 304



Technical specifications and advantages

- Made of Aisi 304 stainless steel
- Rounded edges, no sharp edges
- Closing screws: M8x25
- TIG welding of the sleeve
- Pre-assembled with self-locking nuts
- On request also in AISI 316
- Circular clamp for perfect pipe-clamp adhesion



Code	Measure. Ø [mm]	s [mm]	b [mm]	G ["]	B [mm]
6155104	104	2,5	40	1/2"	158
6155114	114	2,5	40	1/2"	168
6155124	124	2,5	40	1/2"	177
6155129	129	2,5	40	1/2"	182
6155139	139	2,5	40	1/2"	194
6155154	154	2,5	40	1/2"	208
6155168	168	2,5	40	1/2"	222
6155204	204	2,5	40	1/2"	258
6155219	219	2,5	40	1/2"	273

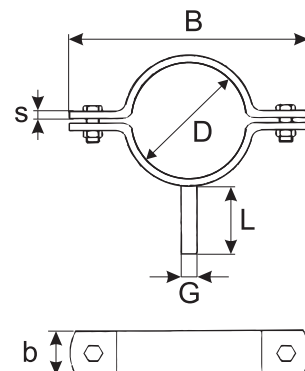
Art. 8020 Two-piece pipe collar with column - AISI 304



Technical specifications and advantages

- Made of Aisi 304 stainless steel
- Rounded edges, rounded column
- Closing screws: M8x20 up to dimension 34 mm, M8x25 for dimensions greater than 34 mm
- Pre-assembled with self-locking nuts
- Circular clamp for perfect pipe-clamp adhesion
- TIG welding of the column
- Column length: 60 mm
- Available in AISI 316 upon request

Code	Measure. Ø [mm]	s [mm]	b [mm]	G [mm]	L [mm]	B [mm]
8020012	12	3	30	6	60	65
8020018	18	3	30	8	60	71
8020021	21,3	3	30	8	60	74
8020025	25,4	3	30	8	60	78
8020027	26,9	3	30	8	60	80
8020028	28	3	30	8	60	80
8020034	34	3	30	10	60	87
8020038	38	3	30	10	60	87
8020040	40	3	30	10	60	93
8020042	42,4	3	30	10	60	93
8020048	48,3	3	30	10	60	101
8020052	51/52	3	30	12	60	105
8020060	60,3	3	30	12	60	113
8020063	63,5	3	30	12	60	118
8020070	70	3	30	12	60	123
8020076	76,1	3	30	12	60	129
8020080	80	3	30	15	60	133
8020085	85	3	30	15	60	138
8020089	88,9	3	30	15	60	142
8020101	101,6	3	30	15	60	154
8020104	104	3	30	15	60	156
8020114	114,3	3	30	15	60	168
8020130	129	3	30	15	60	182
8020140	139,7	3	30	15	60	193
8020154	154	3	30	15	60	207
8020168	168,3	3	30	15	60	221
8020204	204	3	30	15	60	257
8020219	219,1	3	30	15	60	272



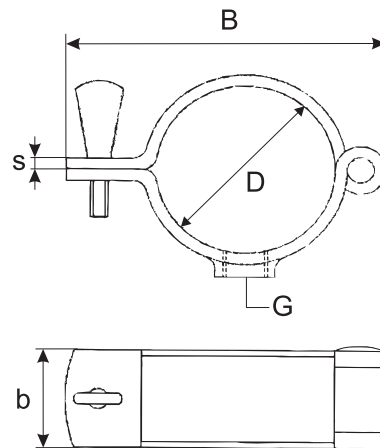
Art. 6160 Hinged pipe clamp - AISI 304



Technical specifications and advantages

- Made of AISI 304 stainless steel
- Rounded edges, no sharp edges
- Only one screw with wing nut plus hinge
- Pre-assembled
- Circular clamp for perfect pipe-clamp adhesion
- On request available in AISI 316

Code	Measure. Ø [mm]	s [mm]	G [mm]	b [mm]	B [mm]
6160017	17	2,5	1/4"	35	52
6160021	21,3	2,5	3/8"	35	58
6160025	25,4	2,5	1/2"	35	60
6160027	26,9	2,5	1/2"	35	64
6160028	28	2,5	1/2"	35	64
6160034	34	2,5	1/2"	35	70
6160038	38	2,5	1/2"	35	76
6160040	40	2,5	1/2"	35	76
6160042	42,4	2,5	1/2"	35	77
6160048	48,3	2,5	1/2"	35	84
6160050	50	2,5	1/2"	35	88
6160052	52	2,5	1/2"	35	88
6160054	54	2,5	1/2"	35	88
6160060	60,3	2,5	1/2"	35	98
6160063	63,5	2,5	1/2"	35	101
6160070	70	2,5	1/2"	35	107
6160076	76,1	2,5	1/2"	35	115
6160080	80	2,5	1/2"	35	120
6160085	85	2,5	1/2"	35	124
6160089	88,9	2,5	1/2"	35	126
6160101	101,6	2,5	1/2"	35	143
6160104	104	2,5	1/2"	35	144



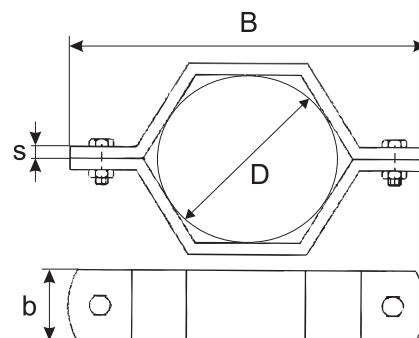
Art. 8060 Hexagonal two-piece pipe clamp - AISI 304



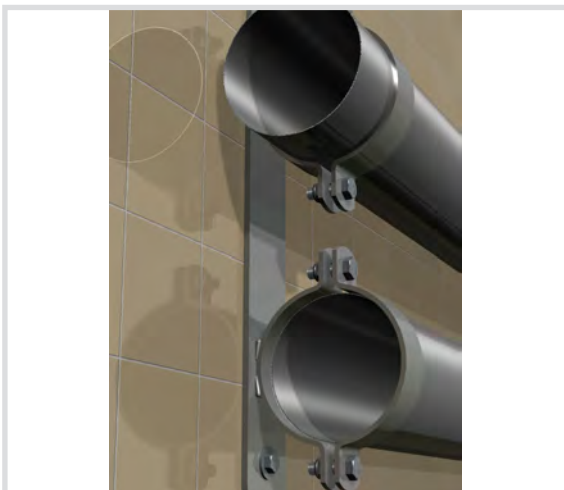
Technical specifications and advantages

- Made of Aisi 304 stainless steel
- Rounded edges, no sharp edges
- The hexagonal shape reduces contact with the pipe to just 6 points, reducing the possibility of dirt and bacteria deposit
- Closing screws:
 - M8x20 up to dimension 34 mm
 - M8x25 for dimension >34 mm
- Pre-assembled with self-locking nuts

Code	Measure. Ø [mm]	s [mm]	b [mm]	B [mm]
8060017	17/18	2,5	30	71
8060021	21,3	2,5	30	74
8060025	25,4	2,5	30	78
8060027	26,9	2,5	30	80
8060028	28	2,5	30	80
8060034	34	2,5	30	87
8060038	38	2,5	30	93
8060040	40	2,5	30	93
8060042	42,4	2,5	30	101
8060048	48,3	2,5	30	105
8060053	53	2,5	30	118
8060060	60,3	2,5	30	123
8060063	63,5	2,5	30	129
8060070	70	2,5	30	131
8060076	76,1	2,5	30	138
8060089	85	2,5	30	154
8060101	101,6	2,5	30	156
8060104	104	2,5	30	168
8060114	114,3	2,5	30	182
8060123	123	2,5	30	193
8060140	139,7	2,5	30	207
8060153	153	2,5	30	221
8060168	168,3	2,5	30	257
8060204	204	2,5	30	272



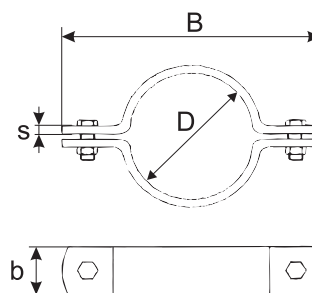
Art. 8070 Two-piece pipe clamp without nut - AISI 304



Technical specifications and advantages

- Made of Aisi 304 stainless steel
- Rounded edges, no sharp edges
- Closing screws: M8x20 up to dimension 34 mm
M8x25 for dimension >34 mm
- Pre-assembled with self-locking nuts
- Circular for a clamp-pipe coupling effect
- It is also possible to supply it with pre-fitted rubber
- On request also in AISI 316

Code	Measure. Ø [mm]	s [mm]	b [mm]	B [mm]
8070012	12	3	30	65
8070018	18	3	30	71
8070021	21,3	3	30	74
8070025	25,4	3	30	78
8070027	26,9	3	30	80
8070028	28	3	30	80
8070034	34	3	30	87
8070040	40	3	30	93
8070042	42,4	3	30	93
8070048	48,3	3	30	101
8070052	51/52	3	30	105
8070060	60,3	3	30	113
8070063	63,5	3	30	118
8070070	70	3	30	123
8070076	76,1	3	30	129
8070085	85	3	30	138
8070089	88,9	3	30	142
8070101	101,6	3	30	154
8070104	104	3	30	156
8070114	114,3	3	30	168
8070140	139,7	3	30	193
8070154	154	3	30	207
8070168	168,3	3	30	221
8070204	204	3	30	257
8070219	219,1	3	30	272
8070254	254	3	30	307
8070273	273	3	30	326
8070306	306	3	30	360
8070355	355	3	30	410



Art. 8074 Pipe clamp in two pieces without lateral screws - AISI 304

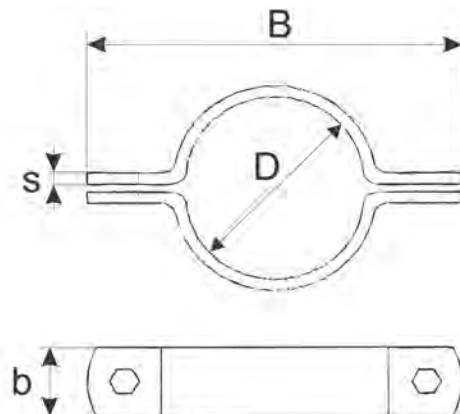
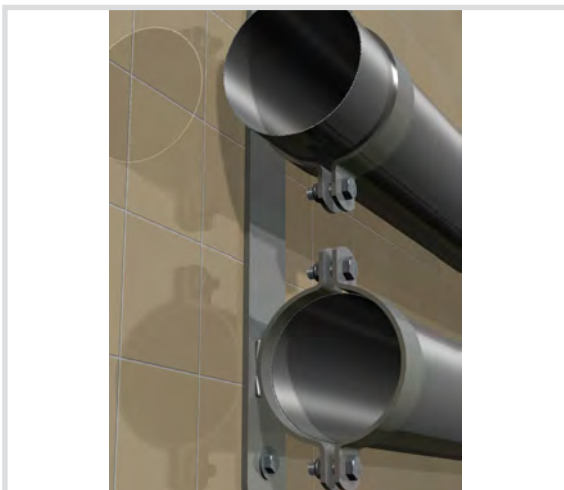


Technical specifications and advantages

- Made of Aisi 304 stainless steel
- Rounded edges, no sharp edges
- Without locking screws
- Side holes diameter 9.5 mm
- Circular for a perfect clamp-pipe fit
- On request available in AISI 316
- Also available with pre-fitted rubber



Code	D [mm]	s [mm]	b [mm]	B [mm]
8074018	3/8	2,5	25	71
8074021	1/2	2,5	25	74
8074027	3/4	2,5	25	80
8074034	1"	2,5	25	87
8074042	1"1/4	2,5	25	93
8074048	1"1/2	2,5	25	101
8074060	2"	2,5	25	113
8074076	2 1/2	2,5	25	129
8074090	3"	2,5	25	142
8074110	4"	2,5	25	168



Art. 8078 Corh bracket with quick release for viaducts

new

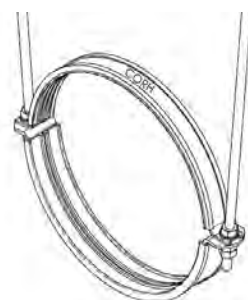
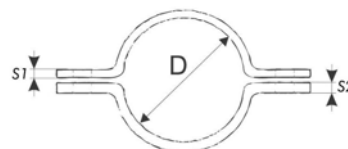
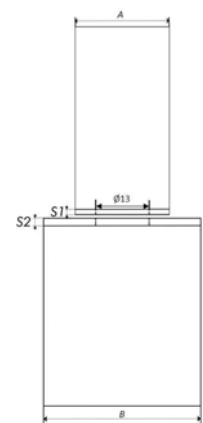


Technical specifications and advantages

- Made of AISI 304 stainless steel
- Available in AISI 316
- Rounded edges, no sharp edges
- Circular for perfect pipe clamp coupling
- Clamps with different thicknesses to ensure simpler, faster and safer clamping
- Upper clamp with smart closure
- Ideal for applications on bridges, viaducts and aqueducts
- Available with or without pre-assembled rubber
- The thicknesses and widths of the strips are defined according to the design requirements
- Other diameters available on request



Code	D [mm]
8078250	250
8078273	273
8078315	315
8078326	326
8078355	355
8078407	407
8078509	509
8078533	533
8078630	630
8078700	700



SPECIFICATION ITEM

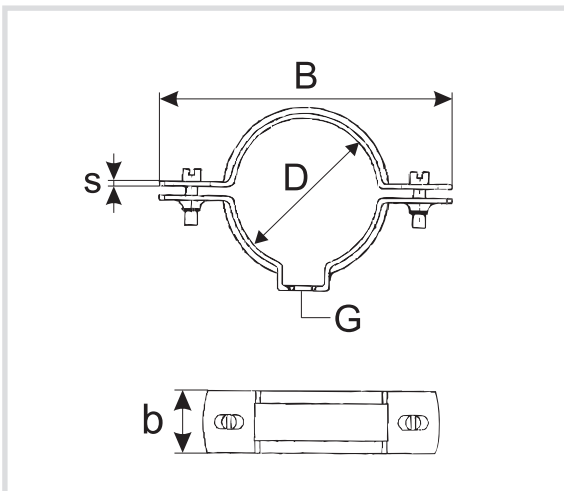
Corh bracket with quick release for viaducts
 Supply and installation of stainless steel clamp for pipe fixing along a bridge, viaduct or aqueduct, with upper clamp with smart closure for safer application after laying the entire pipe on a thicker lower clamp, Corh bracket type with quick closure, including all fixing components.

Art. 6167 Two-piece pipe clamp with hole - AISI 304

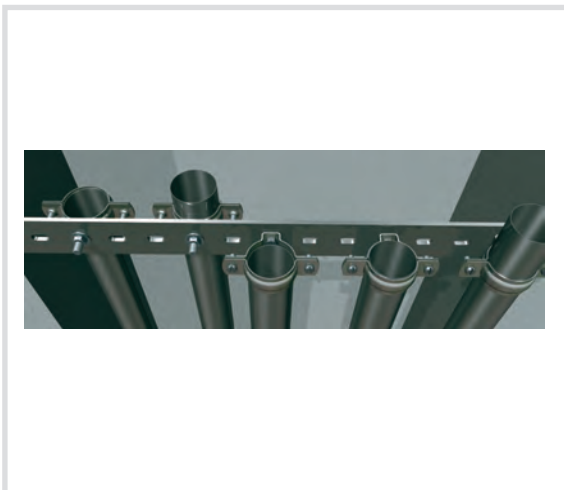


Technical specifications and advantages

- Made of AISI 304 stainless steel
- Rounded edges, no sharp edges
- Closing screws: M6
- Pre-assembled
- With hole for bolt fixing
- On request available in AISI 316



Code	Measure. Ø ["]	s [mm]	b [mm]	G [mm]	B [mm]
6167021	1/2"	2,5	25	Ø 8,5	66,5
6167027	3/4"	2,5	25	Ø 8,5	72
6167034	1"	2,5	25	Ø 8,5	78,7
6167042	1" 1/4	2,5	25	Ø 8,5	87,5
6167048	1" 1/2	2,5	25	Ø 8,5	93,5
6167060	2"	2,5	25	Ø 8,5	105,5
6167076	2" 1/2	2,5	25	Ø 8,5	98
6167090	3"	2,5	25	Ø 8,5	134
6167110	4"	2,5	25	Ø 8,5	159,5



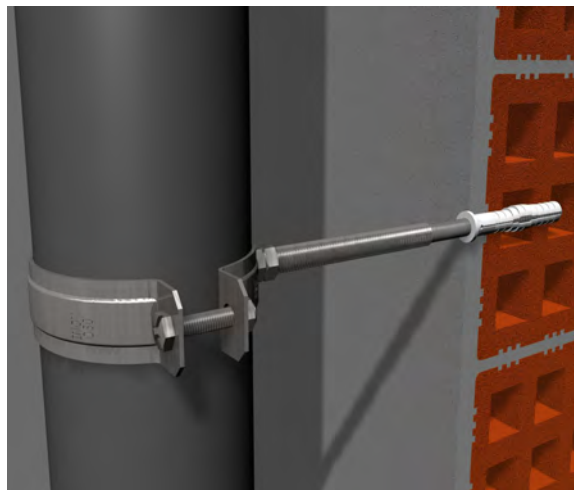
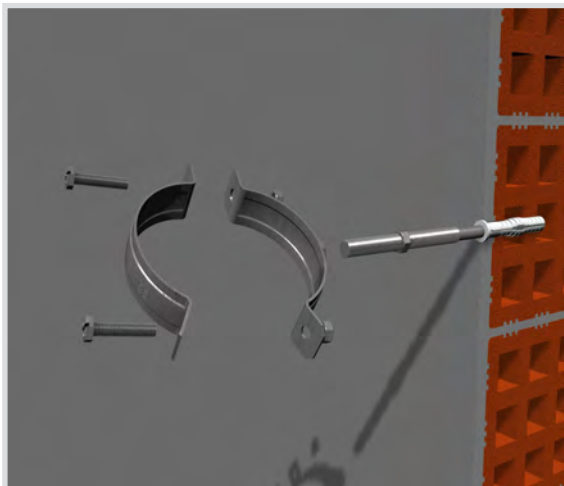
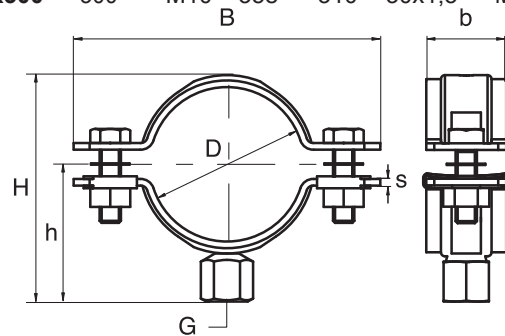
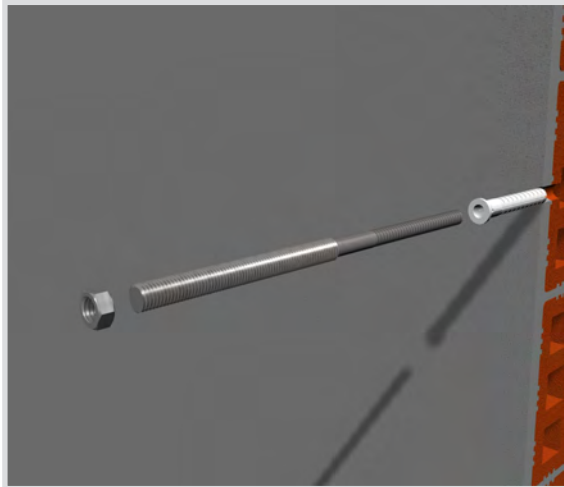
Art. 648X Pipe clamp for flues - AISI 304



Technical specifications and advantages

- Made of AISI 304 stainless steel
- Nut: M8 up to diameter 150, M10 from diameter 160
- LDPE packs, 2 pcs per pack
- TE combi cut screws

Code	Measure. Ø [mm]	G	B [mm]	H [mm]	b x s [mm]	Hanger bolt [mm]	Payload [N]
648X060	60	M8	106	68	24x1,5	M8x200	300
648X080	76 - 80	M8	125	85	24x1,5	M8x200	300
648X100	100	M8	148	105	24x1,5	M8x200	300
648X110	110 - 120	M8	168	112	24x1,5	M8x200	300
648X125	125 - 130	M8	185	135	24x1,5	M8x200	300
648X140	140 - 150	M8	198	152	24x1,5	M8x200	300
648X160	160	M10	212	166	30x1,5	M10x180	500
648X180	180	M10	230	187	30x1,5	M10x180	500
648X200	200	M10	252	210	30x1,5	M10x180	500
648X220	220	M10	272	232	30x1,5	M10x180	500
648X250	250	M10	302	260	30x1,5	M10x180	500
648x300	300	M10	358	310	30x1,5	M10x180	500

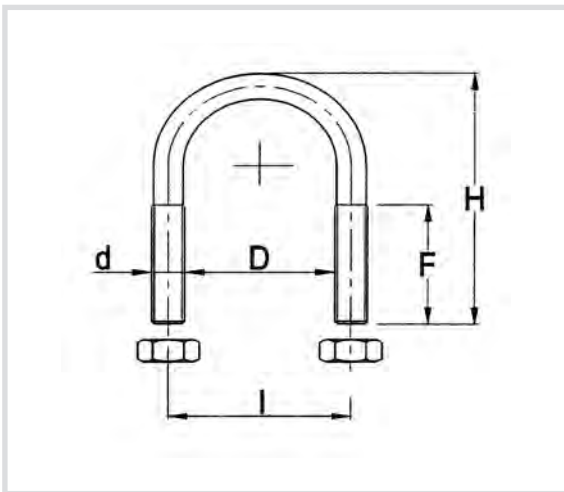


Art. 606X Pipe clamping U-bolt including 2 nuts - AISI 304

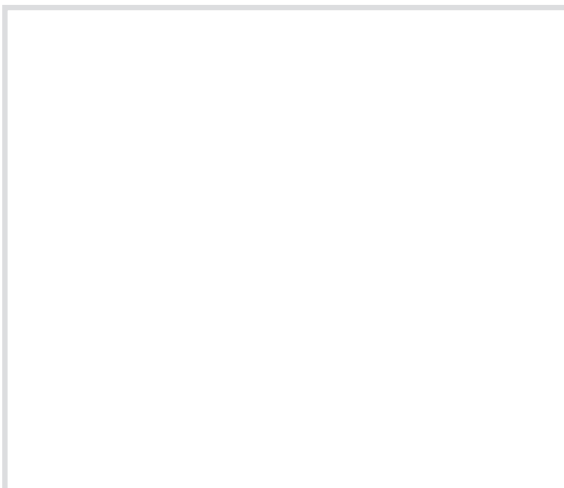


Technical specifications and advantages

- In AISI 304 stainless steel
- Nuts UNI 5588
- On request in AISI 316
- For fastening of pipes to cantilever arms and fixing rails



Code	D	d	l [mm]	F [mm]	H [mm]
606X18	3/8	M6	24	19	42
606X21	1/2	M6	28	25	48
606X27	3/4	M6	33	25	52
606X34	1"	M6	40	25	60
606X42	1 1/4	M6	49	25	68
606X48	1 1/2	M8	57	30	80
606X60	2"	M8	69	30	92
606X75	2 1/2	M8	85	30	108
606X90	3"	M8	97	30	120
606X10	4"	M8	123	35	149
606X12	5"	M8	148	35	176
606X14	6"	M10	178	45	211
606X16	8"	M10	230	45	263
606X17	10"	M10	284	45	312
606X13	12"	M12	340	60	368



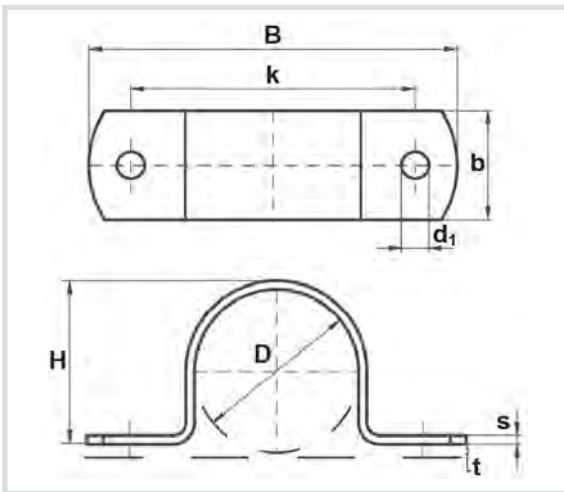
Art. 807xxx

Heavy saddle clamp - AISI 304



Technical specifications and advantages

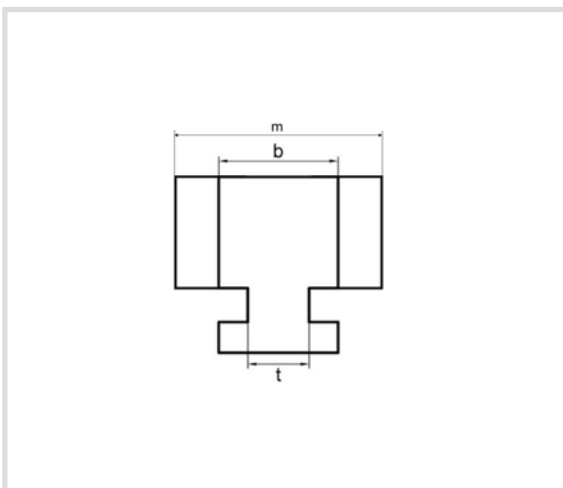
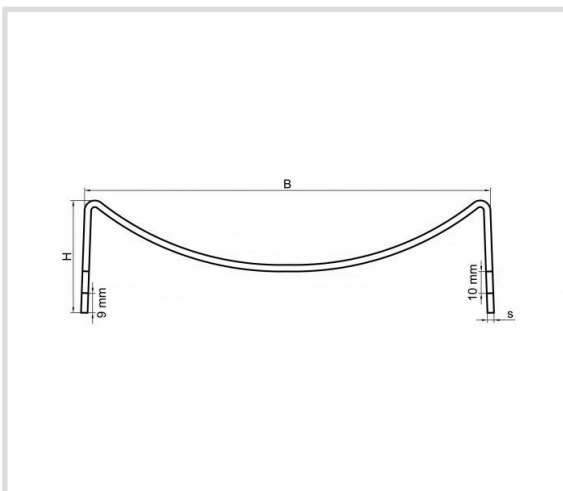
- For heavy applications
- In AISI 304 stainless steel
- AISI 316 on request
- Can be supplied with pre-fitted rubber



Code [A2]	Code with rubber	D [mm]	D ["]	DN [mm]	H [mm]	B [mm]	k [mm]	t [mm]	Payload [N]
8075017	8075017G	17,5	3/8	10	19	77,5	51	2,75	3500
8075021	8075021G	21,5	1/2	15	23	81,5	55,5	2,75	3500
8075027	8075027G	27	3/4	20	28	87	61	2,75	3500
8075033	8075033G	33,5	1	25	34	93,5	67,5	2,75	3500
8075042	8075042G	42,5	1 1/4	32	44	102,5	76,5	2,75	3500
8075048	8075048G	48,5	1 1/2	40	47	108,5	82,5	2,75	3500
8075051	8075051G	51	-	50	-	-	-	-	-
8075056	8075056G	56	-	-	-	116	90	2,75	3500
8075060	8075060G	60	2	50	58	120	94	2,75	3500
8075064	8075064G	64	-	-	-	124	98	2,75	3500
8075080	8075080G	80	-	-	-	140	114	2,75	3500
8075089	8075089G	89	3	80	92	149	123	2,75	3500
8075101	8075101G	101	-	-	-	161	134	4	5000
8075110	8075110G	110	-	-	-	170	144	4	5000
8075116	8075116G	116	4	100	-	176	150	4	5000
8075125	8075125G	125	-	-	-	185	159	4	5000
8075141	8075141G	141	5	125	-	201	175	4	5000
8075150	8075150G	150	-	-	-	210	184	4	5000
8075160	8075160G	160	-	-	-	240	208	4	5000
8075168	8075168G	168	6	150	172	248	216	4	5000
8075176	8075176G	176	-	-	-	256	224	4	5000
8075185	8075185G	185	-	-	-	265	233	4	5000
8075200	8075200G	200	-	-	-	280	248	4	5000
8075212	8075212G	212	-	-	-	292	260	4	5000
8075218	8075218G	218	8	200	-	298	266	4	5000
8075250	8075250G	250	-	-	-	330	298	4	5000
8075273	8075273G	273	10	250	278	373	333	5	7500
8075315	8075315G	315	-	-	-	415	375	5	7500
8075326	8075326G	326	12	300	-	426	386	5	7500
8075355	8075355G	355	14	350	-	455	415	5	7500
8075407	8075407G	407	16	400	-	507	467	5	7500
8075509	8075509G	509	20	500	-	609	596	5	7500
8075533	8075533G	533	-	-	-	633	593	5	7500

d ₁ [mm]	D [mm]	b x s [mm]	D [mm]
11 up to	157	25x2,5	up to 89
13 up to	250	30x4,0	up to 150
17 up to	533	40x4,0	up to 250
		50x5,0	up to 533

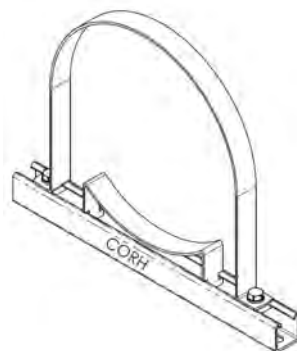
Art. 602X Pipe support saddle for applications on cantilever arms or CorSTRUT fixing rails
- AISI 304



Technical specifications and advantages

- Saddle to rest the pipe on the CorSTRUT fixing rail or cantilever arm and to support any expansion
- It is used to obtain a structure that is integral with the building
- AISI 304 stainless steel, AISI 316 on request
- Normally installed with omega clamp (art. 8075)
- Measurements B, H, s, t, m and b are defined according to the project
- Also available with pre-assembled rubber

Code	D [mm]	D ["]
602X070	68-72	
602X075	74-80	2 1/2
602X090	85-91	3
602X100	99-105	
602X110	108-118	4
602X125	121-127	
602X140	132-153	5
602X168	159-169	6
602X200	198-202	
602X219	216-225	8
602X250	244-250	
602X273	273	10
602X325	315-325	12
602X364	354-364	14
602X408	398-408	16
602X458	448-458	18
602X509	499-509	20



Art. 940R Kit for pipe clamps AISI 316



Technical specifications and advantages

- LDPE packs, 2 kits per pack
- Kit consisting of no. 1 hanger bolt, no. 1 anchor, no. 1 nut

Code	Material	Tax (Ø x L) [mm]	Hanger bolt [mm]	Nut
940R08	Inox, AISI 316	10 x 60	M8 x 90	8MA
940R28	Inox, AISI 316	10 x 60	M8 x 200	8MA
940R10	Inox, AISI 316	12 x 60	M10 x 120	10MA
940R18	Inox, AISI 316	12 x 60	M10 x 180	10MA

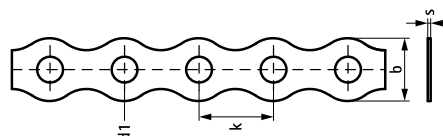
Art. 123R Strip in stainless steel - AISI 316



Technical specifications and advantages

- Flexible system with multiple applications
- In AISI 316

Code	L	b x s [mm]	d1 [mm]	k [mm]	Fa,z [N]
123R17	10 m	17 x 0,8	7,0	20	1730



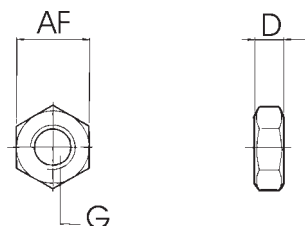
Art. 825R Hex nut - AISI 316



Technical specifications and advantages

- According to UNI 5588
- DIN 934
- Packed in packs of 10 pieces
- In AISI 316 stainless steel

Code	Measurements Ø	D [mm]	AF [mm]
825R06	6MA	5,0	10
825R08	8MA	6,5	13
825R10	10MA	8,0	17
825R12	12MA	10,8	19
825R16	16MA	14,8	24



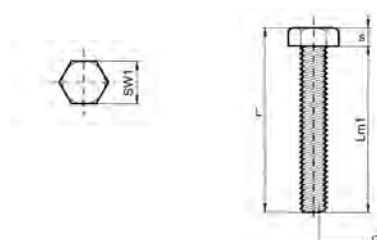
Art. 903R Hex head screw - AISI 316



Technical specifications and advantages

- In AISI 316 stainless steel

Code	Type [mm]	G	L [mm]	S [mm]	Lm1 [mm]	SW1 [mm]
903R630	ISO 4017	M6	30	4,0	25	10
903R830	ISO 4017	M8	30	5,0	25	13
903R845	ISO 4017	M8	45	5,0	40	13
903R865	ISO 4017	M8	65	5,0	60	13
903R130	ISO 4017	M10	30	4,0	25	10
903R145	ISO 4017	M10	45	5,0	40	13
903R165	ISO 4017	M10	65	5,0	60	13
903R230	ISO 4017	M12	30	4,0	25	10



Art. 611X Threaded rod - AISI 304



Technical specifications and advantages

- In AISI 304 stainless steel
- On request in AISI 316

Code	Measurements Ø x Length [mm]
611X06	M6 x 1000
611X08	M8 x 1000
611X10	M10 x 1000
611X12	M12 x 1000
611X16	M16 x 1000
611X20	M20 x 1000

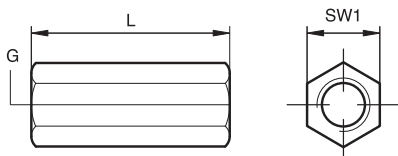
Art. 612X Threaded rod connection sleeve - AISI 304



Technical specifications and advantages

- In AISI 304 stainless steel
- On request in AISI 316

Code	Measurements Ø	L [mm]	SW1 [mm]
612X06	6MA	25	10
612X08	8MA	30	13
612X10	10MA	30	17
612X12	12MA	40	19
612X16	16MA	60	21



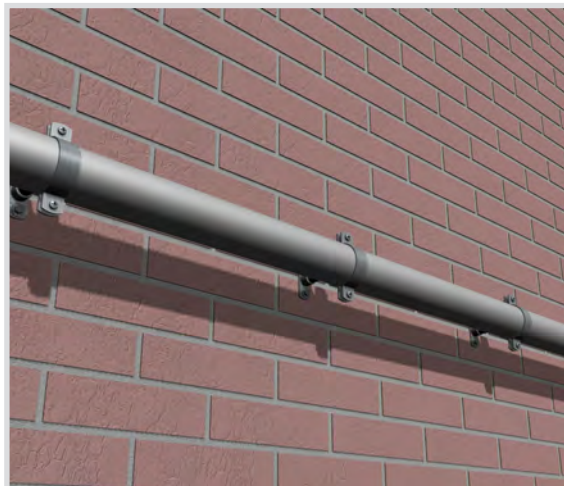
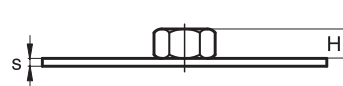
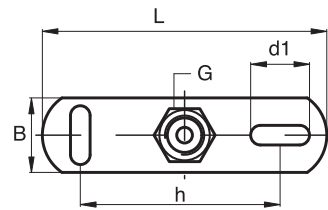
Art. 624R Pipe clamp wall plate - AISI 316



Technical specifications and advantages

- Made of AISI 316 stainless steel
- 90° slots to simplify fastening

Code	Type	G	L	B [mm]	d1 [mm]	s [mm]	h [mm]	Payload [N]
624R08	With nut	M8	80	25	15x8,5	3,0	50	2500
624R10	With nut	M10	80	25	15x8,5	3,0	50	2500
624R001	with 1/2 sleeve	1/2"	80	25	15x8,5	3,0	50	2500
624R512	With nut	M12	145	35	30x11	4,0	100	3800
624R516	With nut	M16	145	35	30x11	4,0	100	3800



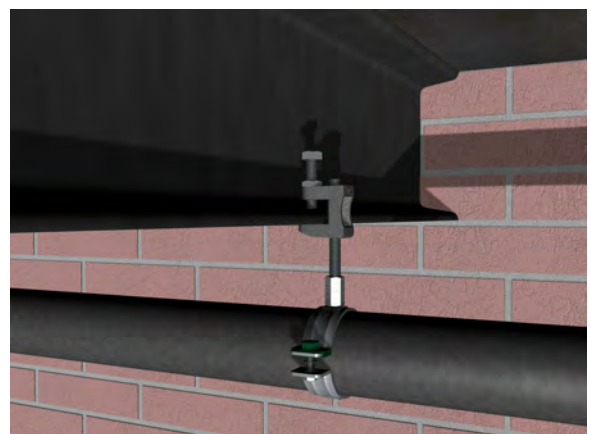
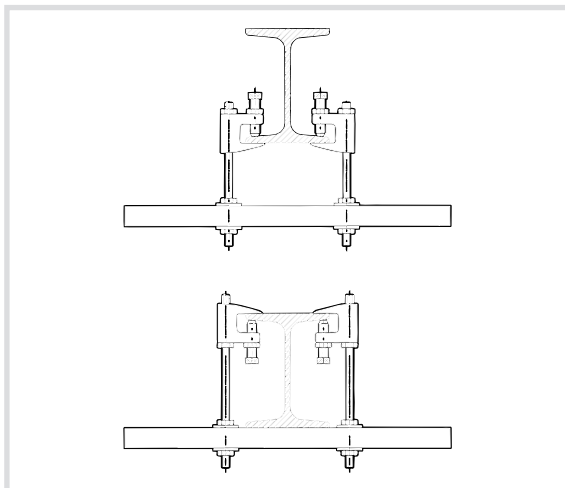
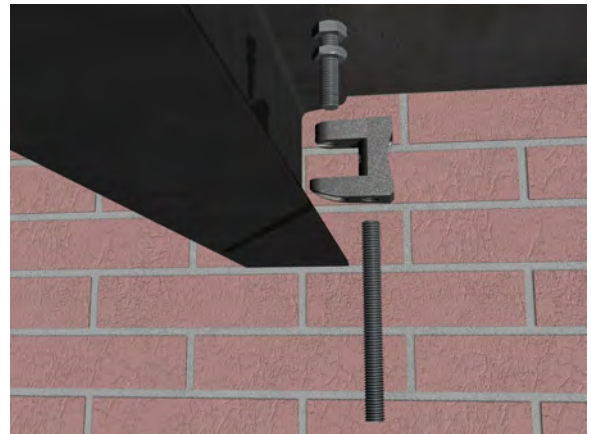
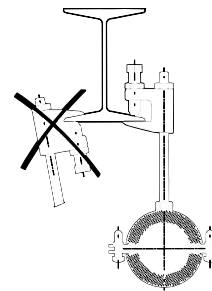
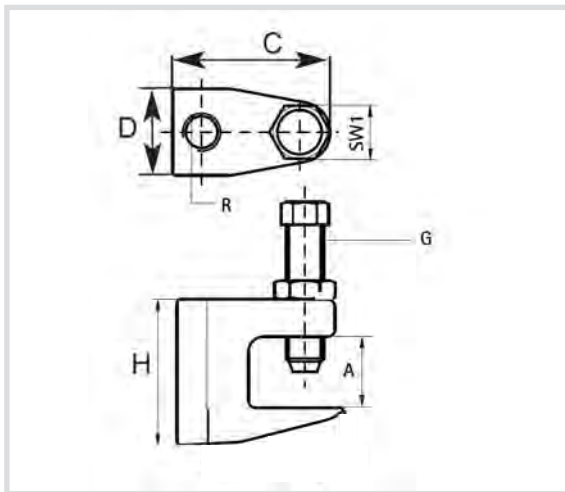
Art. 982R Beam clamp "C" - AISI 316



Technical specifications and advantages

- Certificate
- In AISI 316 stainless steel
- For attachment to beams

Code	R x H [mm]	A [mm]	C [mm]	D [mm]	G	Payload [N]
982R08	9 x 38	0 - 16	41,5	21,0	M10	1000
982R10	11 x 38	0 - 16	41,5	21,0	M10	1000
982R12	13 x 38	0 - 16	41,5	21,0	M10	1300

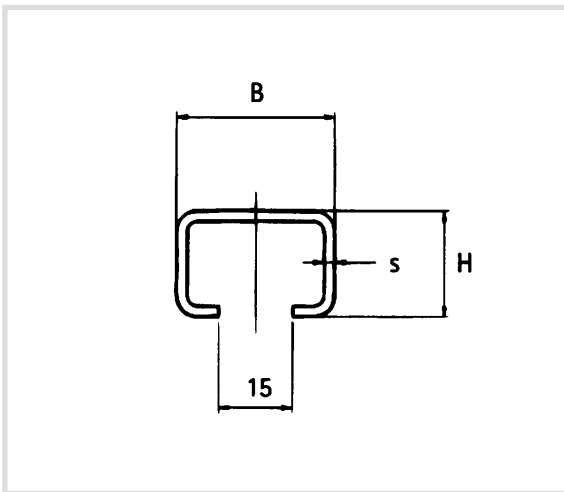


Art. 812R CorRail fixing rail - AISI 316

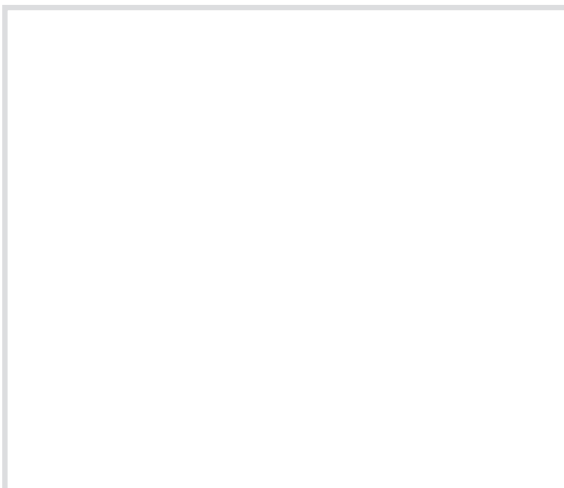


Technical specifications and advantages

- The distance between the end of the fixing rail and the first hole is always the same
- Made of AISI 316 stainless steel
- With centimetre scale on one side



Code	Type	L [m]	B x H [mm]	s [mm]
812R02	CH1	2	30 x 15	2,00
812R03	CH15	2	30 x 20	2,00

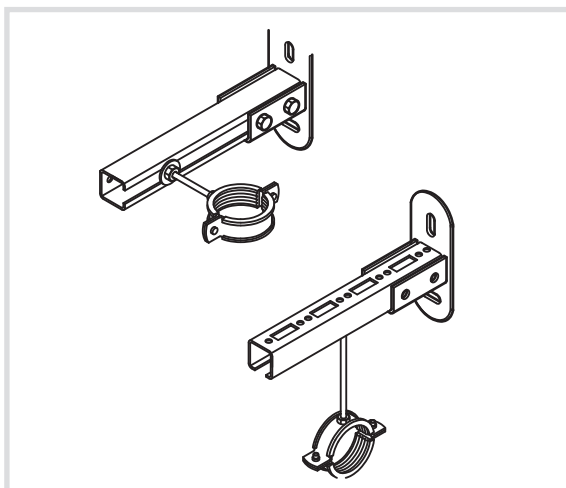
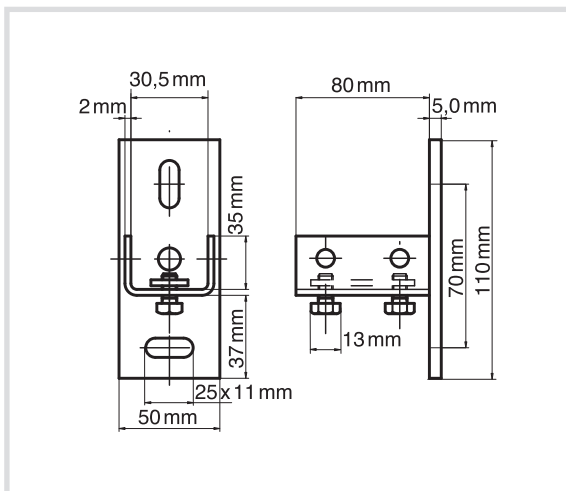


Art. 8202R CorRail fabricated back plates for fixing rails with pre-assembled slide nuts - AISI 316



Technical specifications and advantages

- Made of AISI 316 stainless steel
- CO₂ welding
- Slots in the base at 90° for error-proof installation
- Bolts M8 x 16, DIN-EN 24017 (UNI 5739)
- To create cantilever arms or support feet



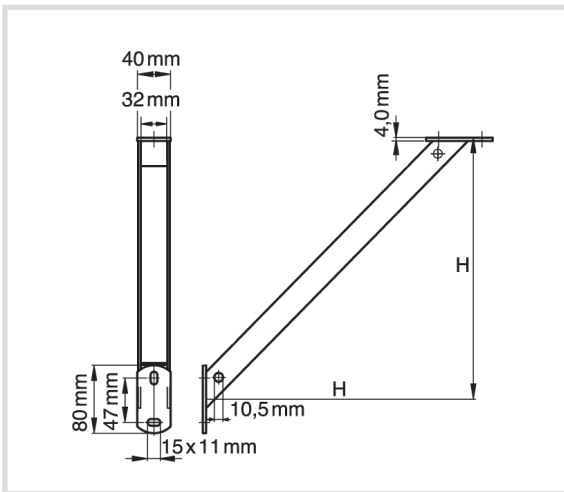
Code	Application
	Fixing rails
8202R00	CH1 30x15x2,0
	CH15 30x20x2,0

Art. 8994R CorRail rail prop - AISI 316

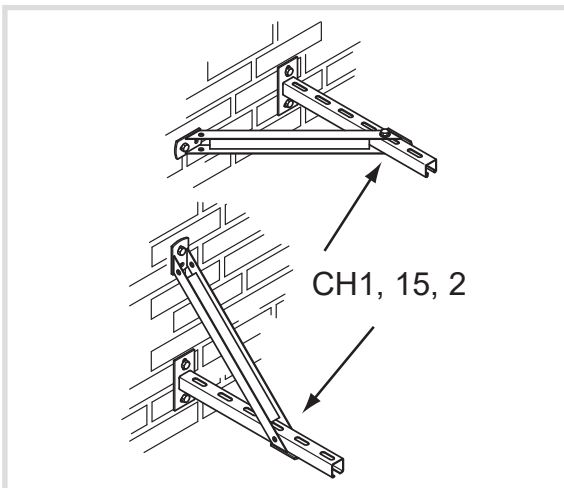


Technical specifications and advantages

- Made of AISI 316 stainless steel
- CO₂ welding
- To increase the load with fixing above, below or on the side of the cantilever arm



Code	For fixing rail	H [mm]
8994R25	CH1, CH15, CH2 (30x15, 30x20, 30x30)	250

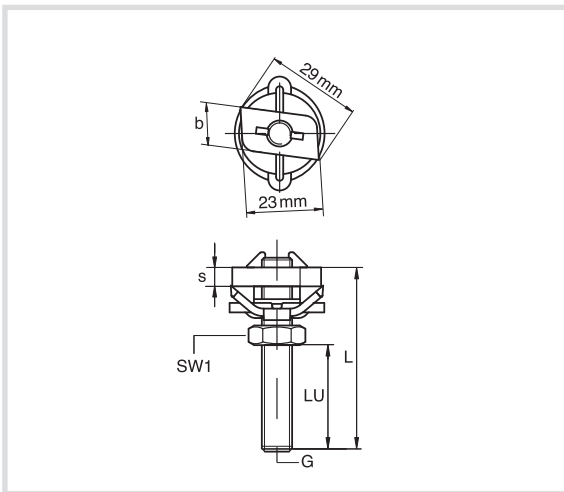


Art. 65270 CorRail slide nut with threaded pin - AISI 316

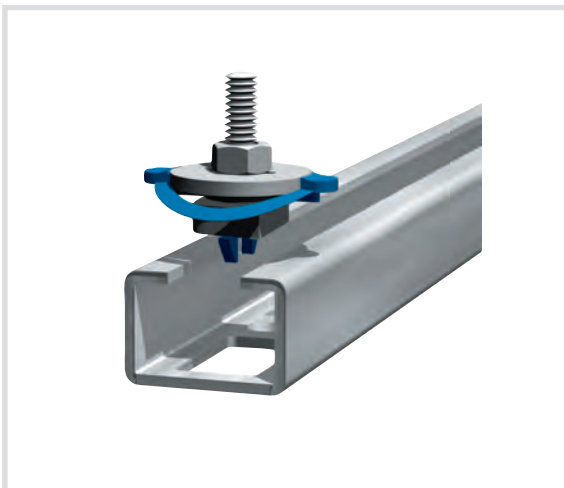


Technical specifications and advantages

- Made of AISI 316 stainless steel
- With a plastic spring that keeps the piece assembled in the desired position until tightening
- Spring material: POM (polyoxymethylene), light blue
- Pin height adjustment
- Quick and easy installation
- For CorRail fixing rails



Code	G	L [mm]	Suitable Fixing rails	SW1 [mm]	LU [mm]	b x s [mm]	Fa,z [N]
6527084	M8	40	CorRail	13	25	13,5 x 5	5000
6527088	M8	80	CorRail	13	65	13,5 x 5	5000
6527094	M10	40	CorRail	17	22	14,0 x 5	4750
6527098	M10	80	CorRail	17	62	14,0 x 5	4750



Art. 901R Flat and C washer - AISI 316

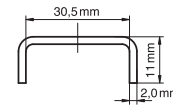
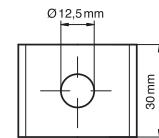
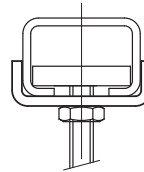
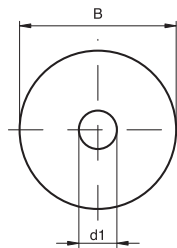
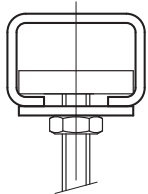


Technical specifications and advantages

- Made of AISI 316 stainless steel

Code	B [mm]	d1 Ø [mm]	s [mm]
901R06	25	6,5	2,5
901R08	25	8,5	2,5
901R10	25	10,5	2,5
901R12	30	13,0	3,0
901R16	30	16,5	3,0
C Washer			
901R125	for H1, 15, 2	12,5	3,0

Flat



901R125

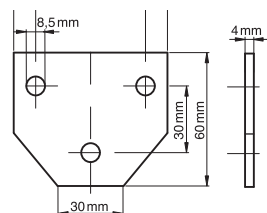
Art. 658R CorRail angle brackets - AISI 316



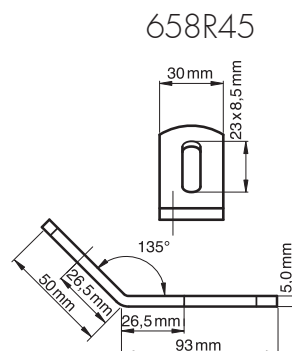
Technical specifications and advantages

- In AISI 316 stainless steel

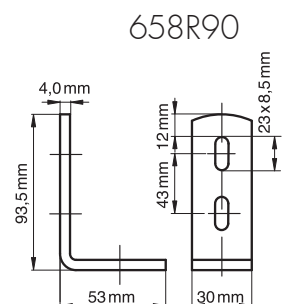
Codice	Profili
658R90	CorRail 90°
658R45	CorRail 135°
658R101	CorRail T connection



658R101



658R45



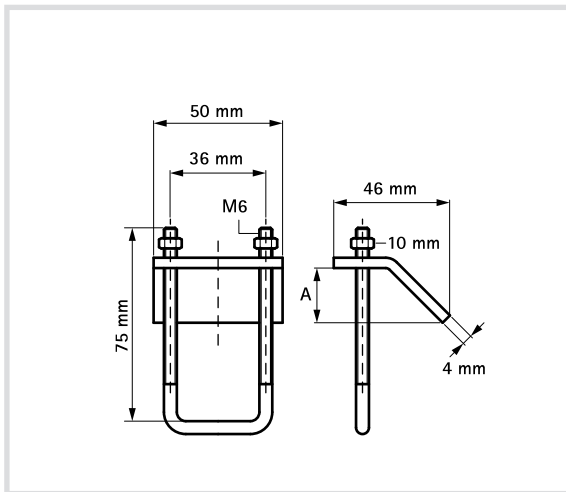
658R90

Art. 8995RCorRail rail beam clamp - AISI 316

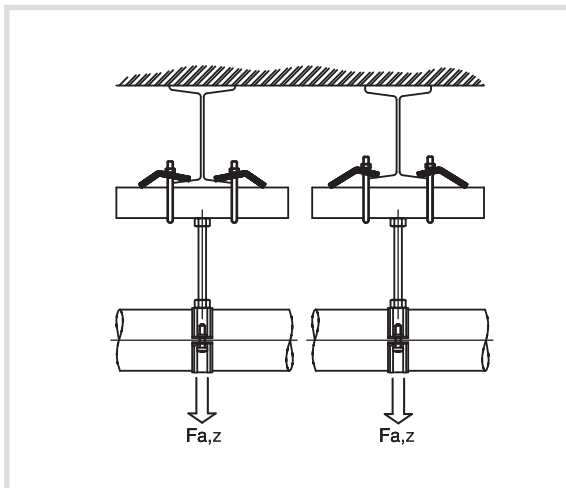


Technical specifications and advantages

- Made of AISI 316 stainless steel
- To connect to a steel support without welding or drilling
- Always use 2 plates to fix



Code	A [mm]	For fixing rails	Payload [N]
8995R06	< 16	CH1, 15, 2	4500

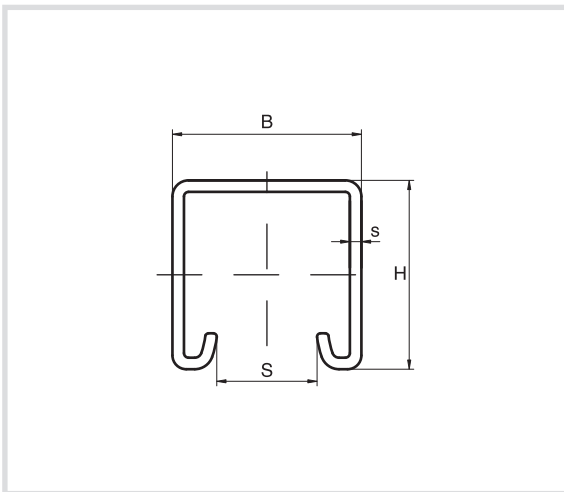


Art. 8125 CorSTRUT Fixing rail - AISI 304/316



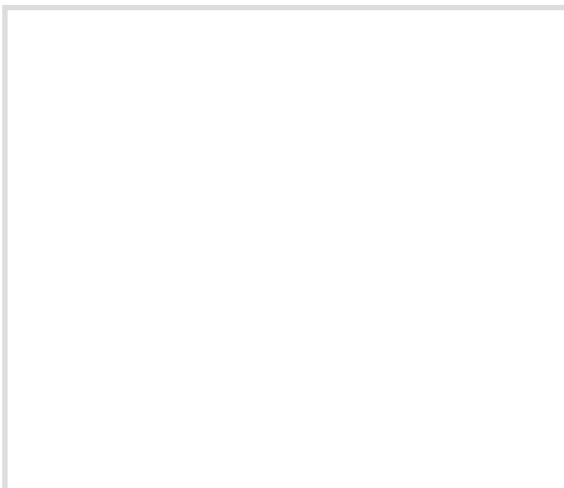
Technical specifications and advantages

- Universal fixing rail system
- The distance between the end of the fixing rail and the first hole is always the same
- Gradual centimetre scale on one side
- More sizes in AISI 316 are available on request



Code	L [mm]	B [mm]	H [mm]	S [mm]	s [mm]
AISI 304					
8125X02	3000	41	21	22	2,0
8125X08	3000	41	41	22	2,0
8125X09	6000	41	41	22	2,0

AISI 316					
8125R08	3000	41	41	22	2,0

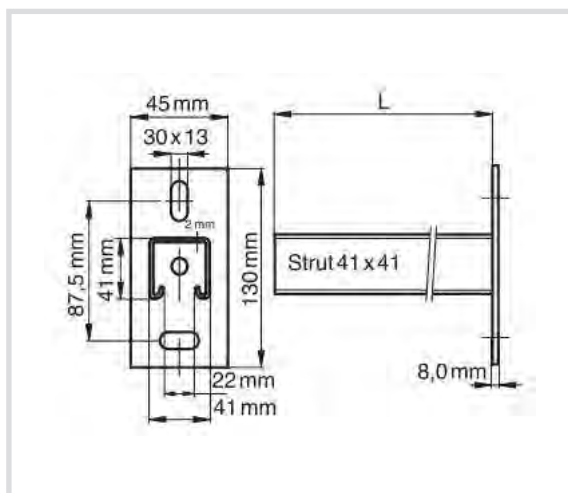


Art. 827X CorSTRUT cantilever arm - AISI 304

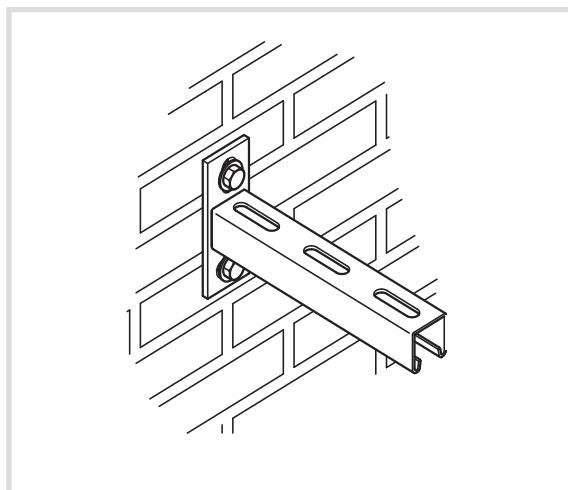


Technical specifications

- 90° slots to simplify assembly
- CO₂ welded
- In AISI 316 stainless steel



Code	L [mm]	For
827X200	200	STRUT 41x41
827X300	300	STRUT 41x41
827X450	450	STRUT 41x41
827X600	600	STRUT 41x41
827X750	750	STRUT 41x41

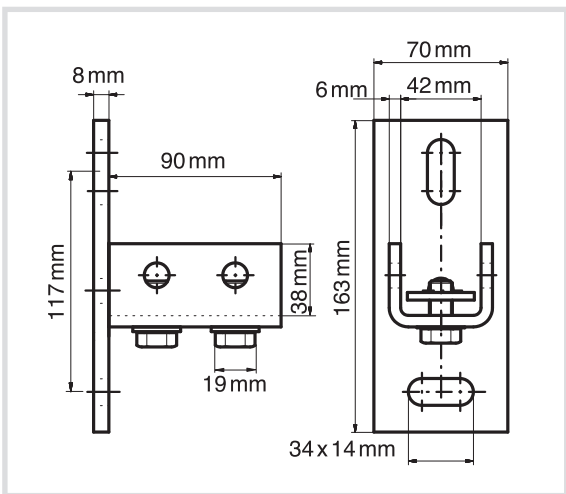


Art. 869X CorSTRUT heavy duty cantilever arm support with bolts and nuts - AISI 304

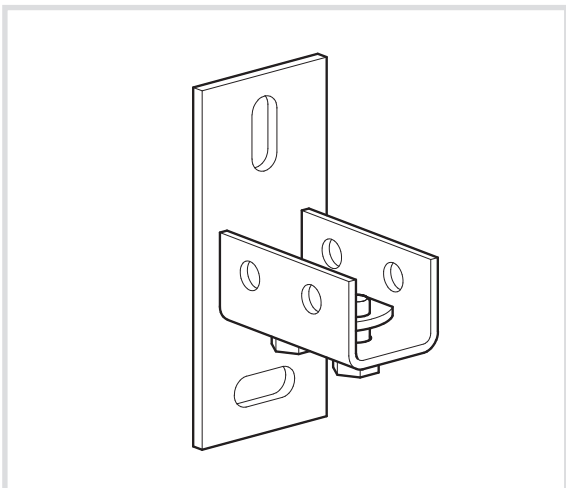


Technical specifications and advantages

- To build cantilever arms
- With pre-fitted bolts
- Extremely heavy
- In AISI 304 stainless steel



Code	For
869X001	STRUT



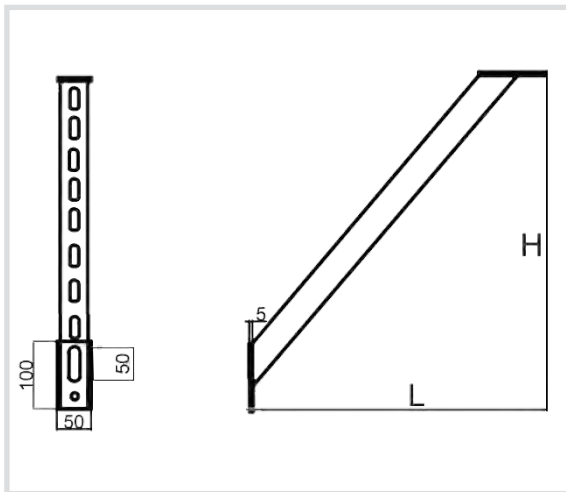
Art. 8693X30

CorSTRUT rail prop - AISI 304



Technical specifications and advantages

- Made of AISI 304 stainless steel
- TIG welding
- On request in AISI 316
- To increase the load by fixing above or below the cantilever arm
- 45° inclination
- Very elongated slot to be sure to obtain the correct coupling with the holes in the cantilever arm



Code	L [mm]	H [mm]	Slotted hole [mm]
8693X30	300	300	50x13

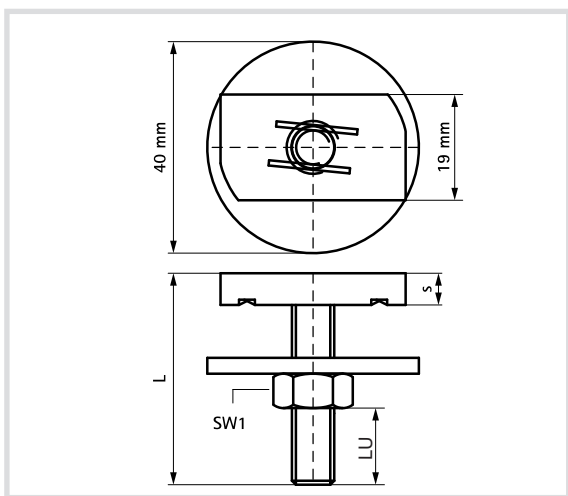


Art. 8695R CorSTRUT hammerfix - AISI 316

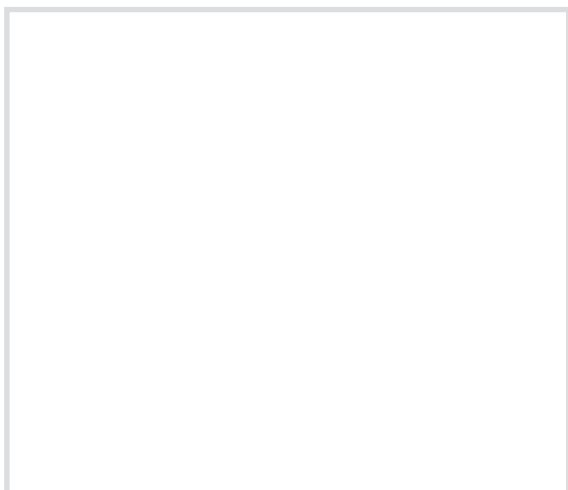


Technical specifications and advantages

- In AISI 316 stainless steel
- For STRUT fixing rails
- Pre-assembled
- Tested for M10-M12 fire resistance



Code	G	L [mm]	For	SW1 [mm]	LU [mm]	s [mm]
8695R840	M8	40	STRUT	13	18	6,0
8695R860	M8	60	STRUT	13	38	6,0
8695R140	M10	40	STRUT	17	14	8,0
8695R240	M12	40	STRUT	19	10	9,0
8695R260	M12	60	STRUT	19	30	9,0



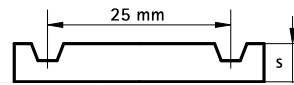
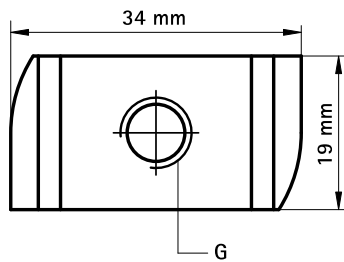
Art. 861R CorSTRUT slide nut - AISI 316



Technical specifications and advantages

- In AISI 316 stainless steel
- Tested for fire resistance

Code	G	For fixing rails	b x s [mm]
861R06	M6	STRUT	20 x 5,0
861R08	M8	STRUT	20 x 6,0
861R10	M10	STRUT	20 x 8,0
861R12	M12	STRUT	20 x 9,0



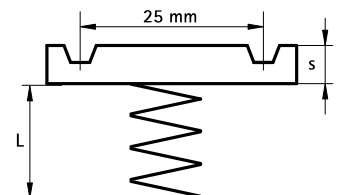
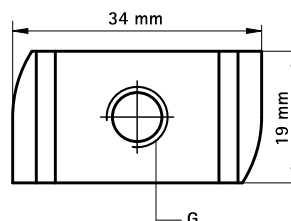
Art. 862R Slide nut with spring for CorSTRUT fixing rail - AISI 316



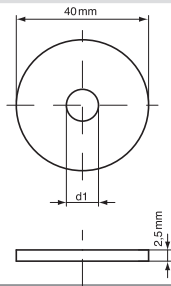
Technical specifications and advantages

- In AISI 316 stainless steel

Code	G	L [mm]	For fixing rails	b x s [mm]
862R06	M6	33	STRUT 41 x 41	20 x 5,0
862R08	M8	33	STRUT 41 x 41	20 x 6,0
862R10	M10	33	STRUT 41 x 41	20 x 8,0
862R12	M12	33	STRUT 41 x 41	20 x 9,0



Art. 901R CorSTRUT flat washer - AISI 316



Technical specifications and advantages

- Flat washer
- For STRUT fixing rail
- In AISI 316 stainless steel
- Tested for fire resistance



Code	For	d1 Ø [mm]
901R508	STRUT	8,5
901R510	STRUT	10,5
901R512	STRUT	13,0
901R516	STRUT	17,0

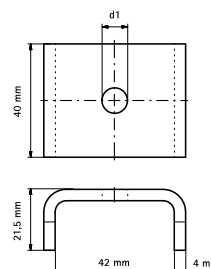
Art. 9016R C-washer for CorSTRUT fixing rail - AISI 316



Technical specifications and advantages

- For STRUT fixing rails
- AISI 316
- Adds stability to fixing rail structures

Code	For	d1 [mm]
9016R10	STRUT	11,0
9016R12	STRUT	13,0

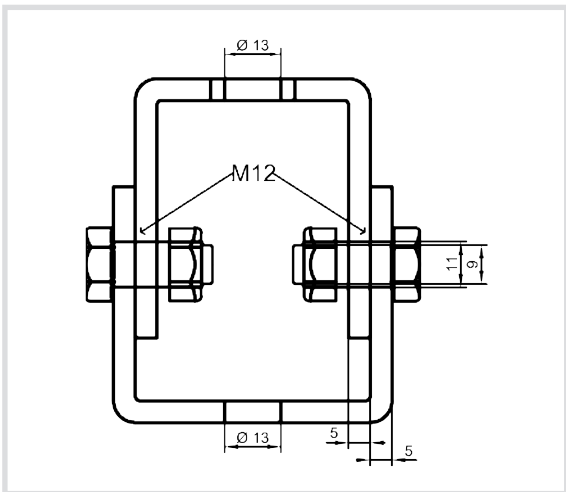


Art. 8635R180 CorSTRUT universal bracing - AISI 316

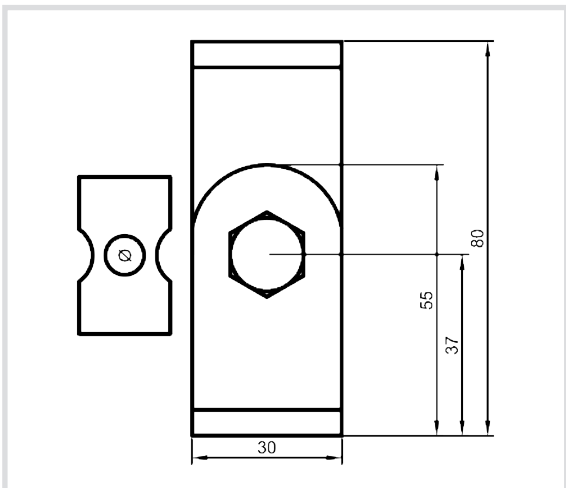


Technical specifications and advantages

- To create braces, struts, sloped installations
- Fully adjustable angle
- With 2 through holes diam. 13 mm
- Material: AISI 316 stainless steel



Code	Fixing rails
8635R180	STRUT



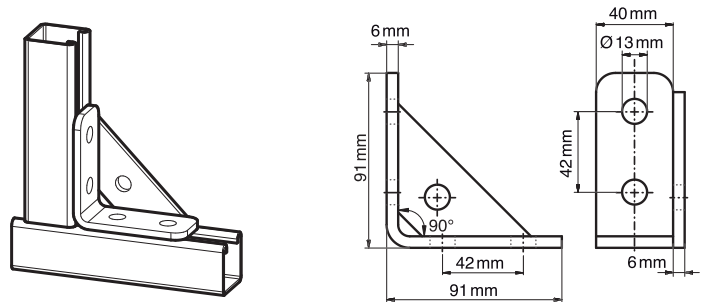
Art. 8618X CorSTRUT reinforced connector at 90° - AISI 304



Technical specifications and advantages

- Easy to assemble on STRUT fixing rails
- Rounded edges
- In AISI 304 stainless steel
- On request in AISI 316

Code	For	α [°]
8618X90	STRUT	90



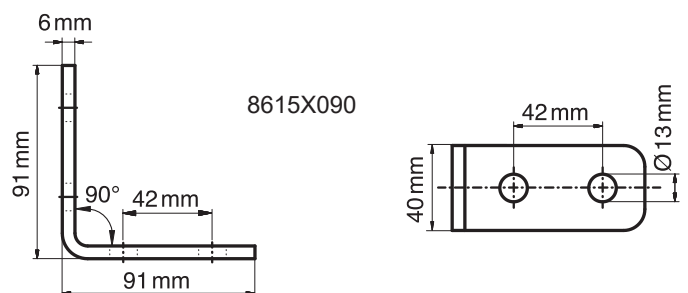
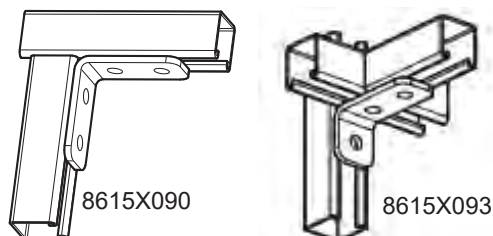
Art. 8615X CorSTRUT connector 90° - AISI 304



Technical specifications and advantages

- In AISI 304 stainless steel
- On request in AISI 316

Codice	Per	α [°]	Fori
8615X090	STRUT	90	4
8615X093	STRUT	90	3



Art. 8615X057

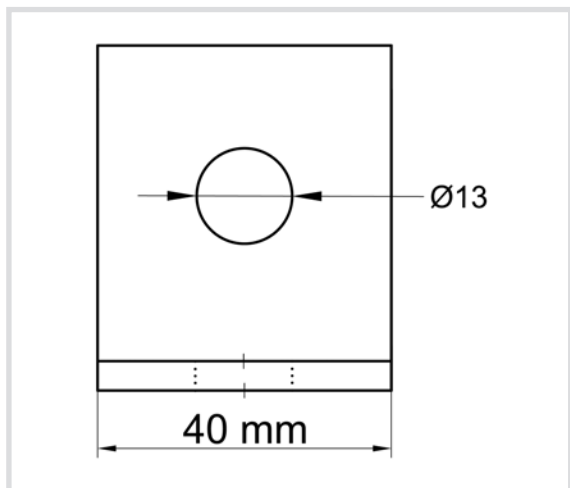
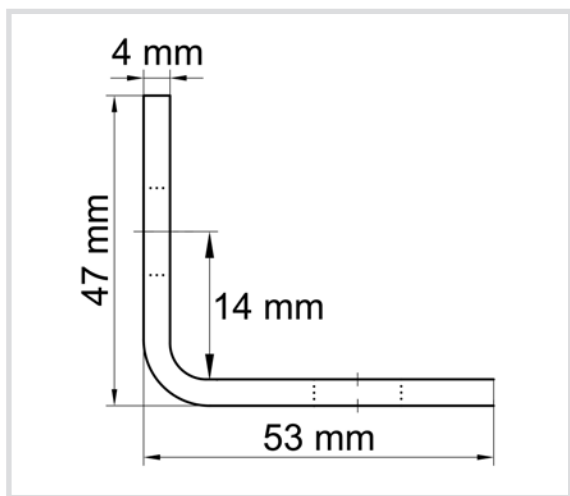
CorSTRUT 90° angle bracket - AISI 304



Technical specifications and advantages

- In AISI 304 stainless steel - on request in AISI 316
- Rounded edges
- 2 holes
- For STRUT fixing rails

Code	Dimension [mm]	Thickness [mm]	Holes [mm]
8615X057	53 x 47	4	13

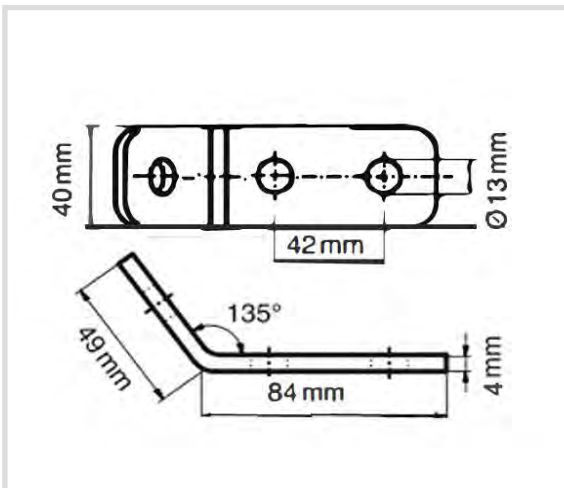
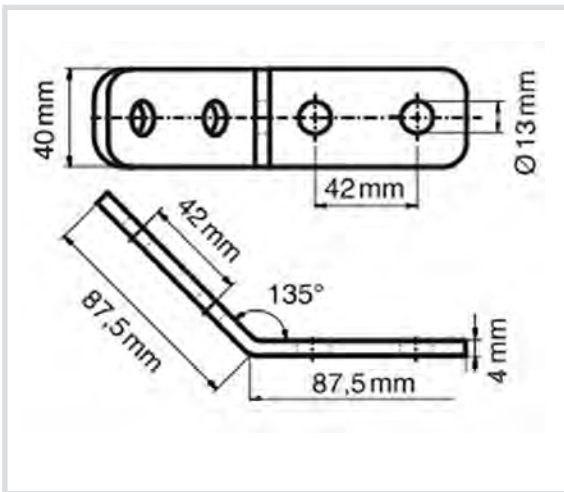


Art. 8615X04 CorSTRUT 45° angle bracket - AISI 304



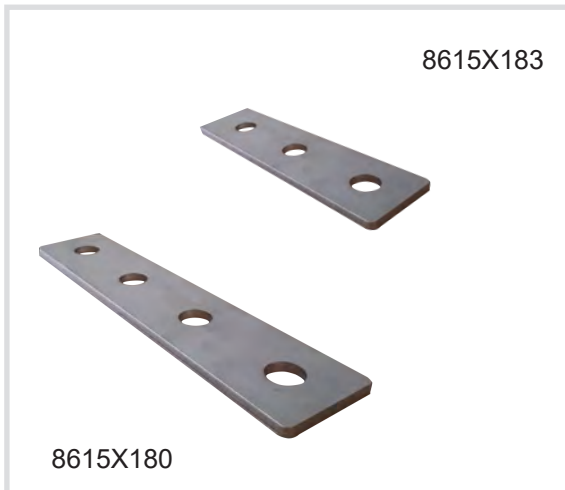
Technical specifications and advantages

- To create structures with the STRUT fixing rail
- In AISI 304 stainless steel
- 45° inclination



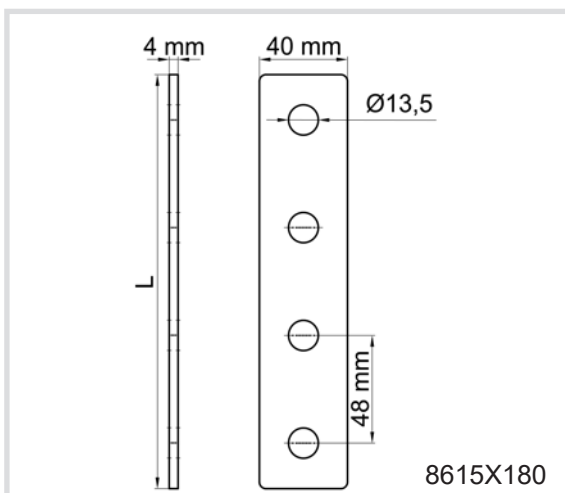
Code	Type	Holes	Fixing rails
8615X043	135°	3	STRUT
8615X045	135°	4	STRUT

Art. 8615x CorSTRUT flat connector - AISI 304

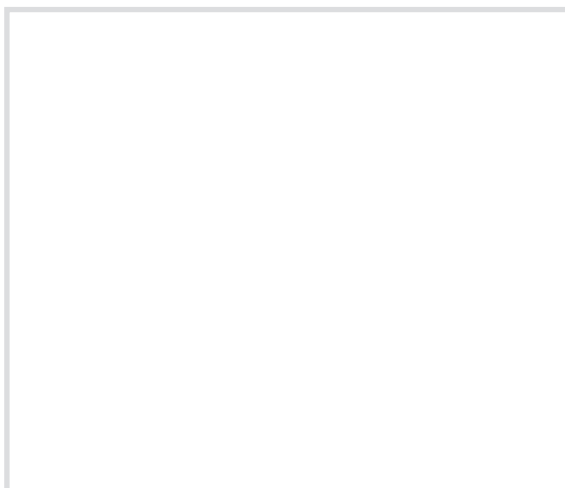


Technical specifications and advantages

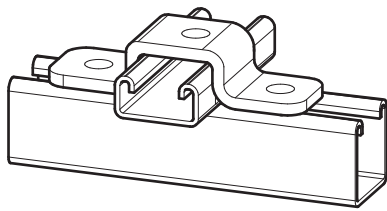
- AISI 304 stainless steel material
- To connect STRUT fixing rails



Code	Type	L [mm]	Fixing rails
8615X183	3 holes	139	STRUT
8615X180	4 holes	185	STRUT



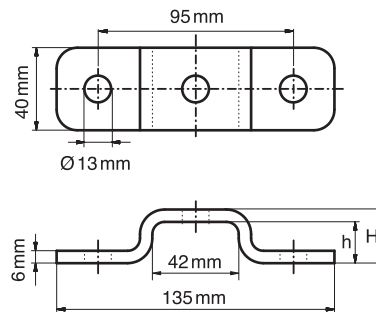
Art. 8642X CorSTRUT cross rail connector - AISI 304



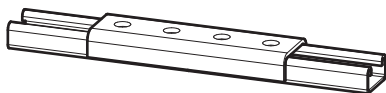
Technical specifications and advantages

- With rounded corners
- In AISI 304 stainless steel

Code	Per	H [mm]	h [mm]
8642X21	STRUT 41x21	26	20
8642X41	STRUT 41x41	46	40



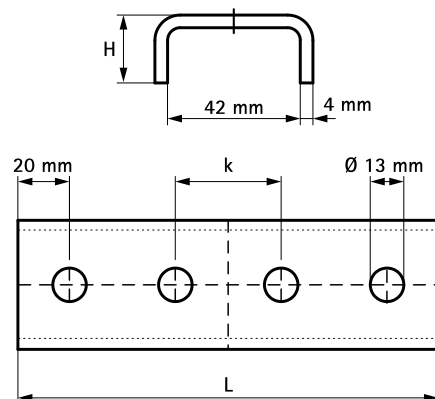
Art. 865X CorSTRUT U connector - AISI 304



Technical specifications and advantages

- In AISI 304 stainless steel

Code	For	H [mm]
865X421	STRUT 41x21	21,5
865X441	STRUT 41x41	41,5



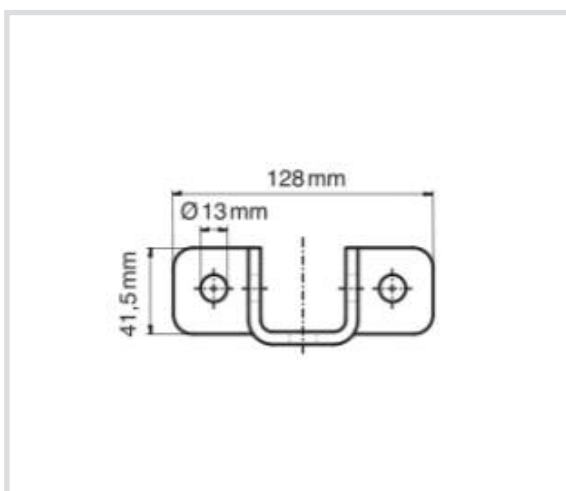
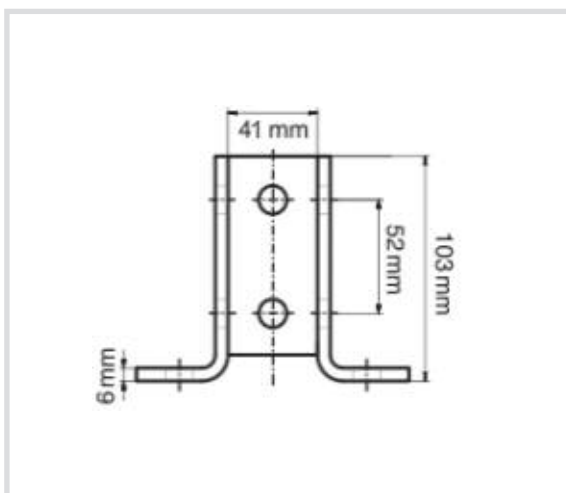
Art. 8638X CorSTRUT 90° side holes base fixing rail - AISI 304



Technical specifications and advantages

- To build structures in STRUT fixing rail
- Easy to assemble, rounded corners
- In AISI 304 stainless steel

Code	Type
8638X002	90°



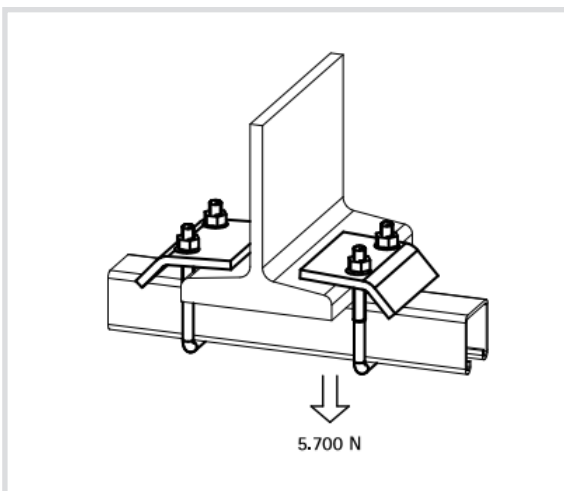
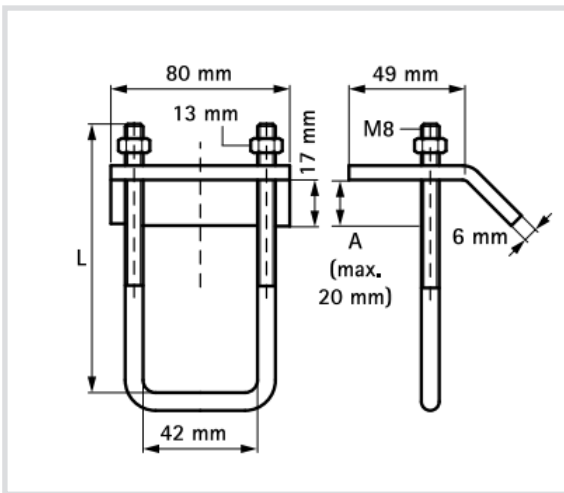
Art. 8636R CorSTRUT rail beam clamp - AISI 316



Technical specifications

- Made of AISI 316 stainless steel
- Always use 2 plates for each beam

Code	A [mm]	L [mm]	For
8636R01	< 20	90	STRUT 41x21 e 41x41

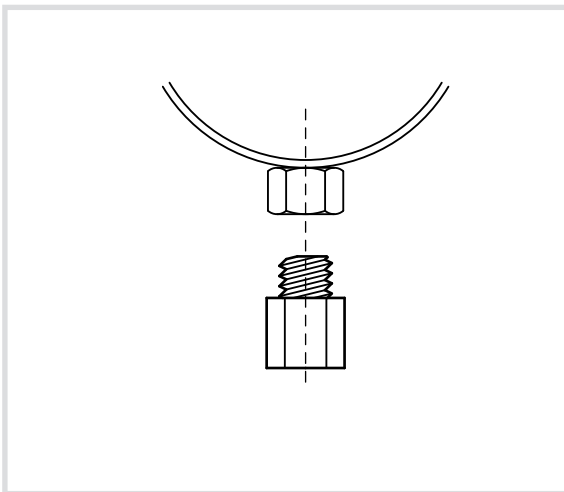


Art. 3473R Male/female reduction - AISI 316

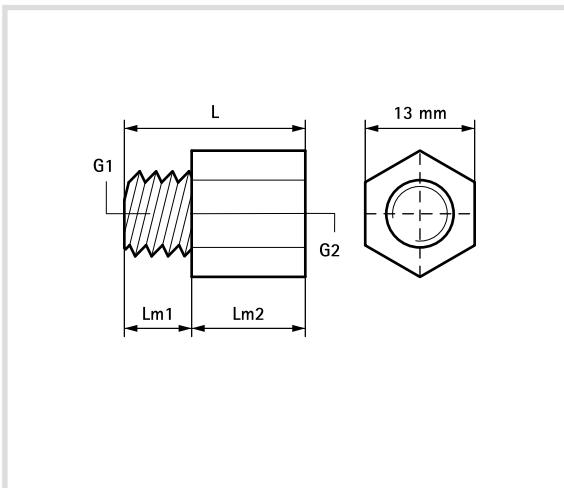


Technical specifications and advantages

- To widen or reduce the thread
- In AISI 316 stainless steel
- Tested for fire resistance



Code	L [mm]	G1	G2	Lm1 [mm]	Lm2 [mm]
3473R10	23	M8	M10	8,0	13,0
3473R08	21	M10	M8	8,0	11,0

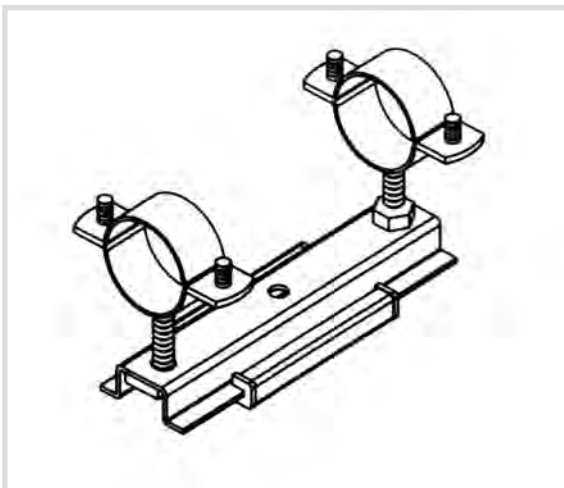
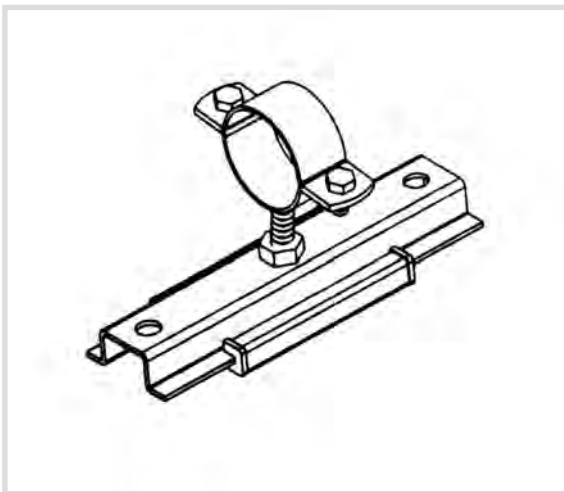


Art. 980 Sliding saddle - AISI 304



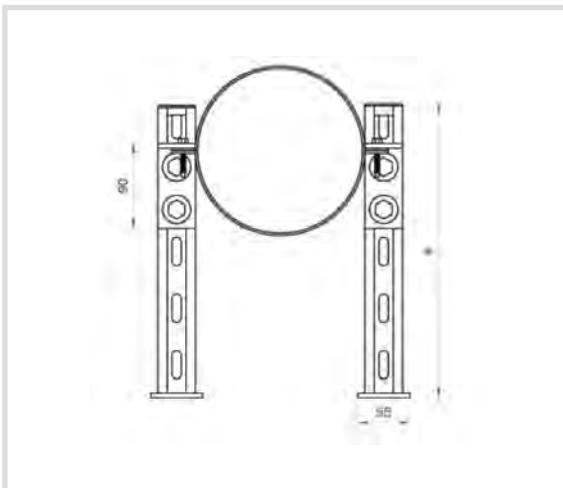
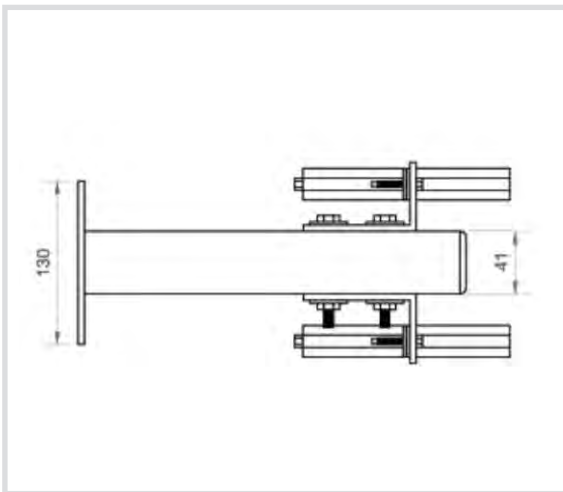
Technical specifications and advantages

- Made of AISI 304 stainless steel
- Sliding guides in glass fibre reinforced polyamide
- Sliding length: max 140 mm
- Temperature resistance: from -30°C to +120°



Code	Max. Load for smoothness	Max. Load for smoothness	Ø Holes	Payload [N]
980005	1300 N	1000 N	12,5	1670

Art. 975X Fixed point on cantilever arm - AISI 304



Technical specifications and advantages

- Ideal solution for pipes subject to significant thermal contractions and/or expansions
- For bracketing with fixed point on cantilever arm
- Suitable for all types of fixed point, both with horizontal and vertical pipe
- Possibility of adjusting the distance
- AISI 304 stainless steel, AISI 316 on request
- Components for standard fixed point: 2 cantilever arms, 4 special 90° angle brackets, 2 heavy clamps
- It is possible to insert bracing to increase the axial resistance
- The clamps are not included in the package

Code	A [mm]	Payload [N]
975X300	300	2300
975X450	450	2300
975X600	600	2300



SPECIFICATION ITEM

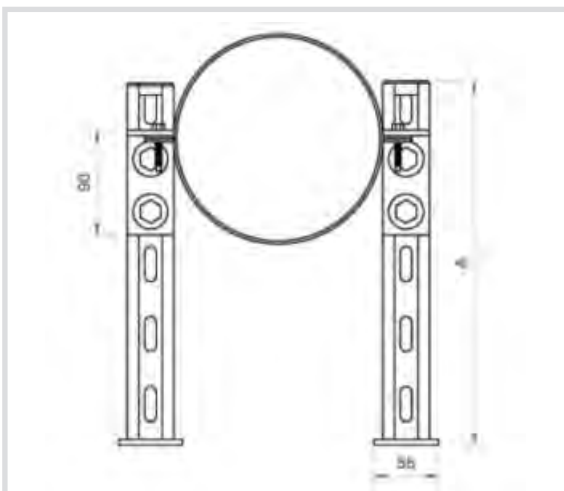
Supply and installation of bracketing with fixed point for pipes subject to thermal expansion on stainless steel cantilever arm with distance adjustment for both horizontal and vertical pipes, with all the relative fastening components

Art. 976X Downpipe bracket - AISI 304

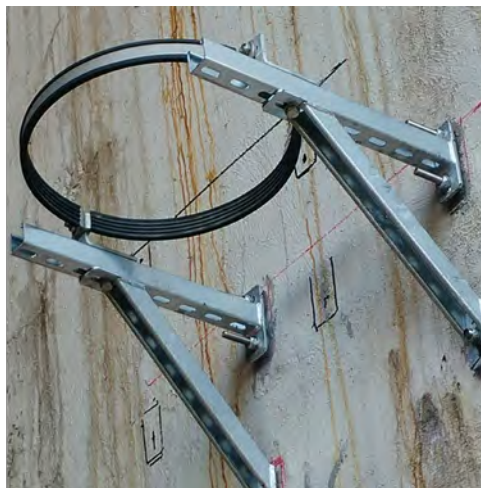
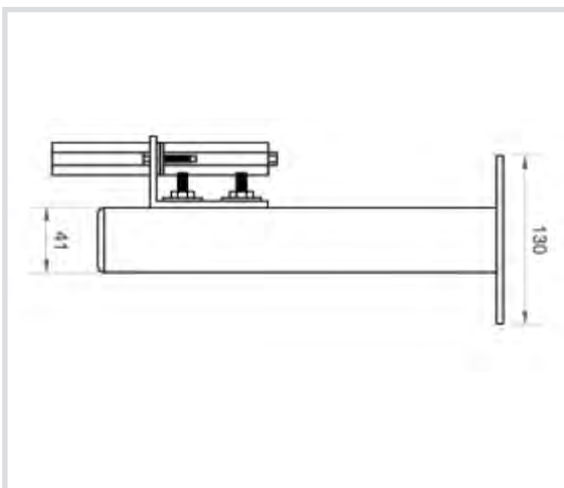


Technical specifications and advantages

- Possibility of adjusting the distance
- It is possible to insert bracing to increase the axial resistance
- In stainless steel AISI 304, on request AISI 316
- Components for standard pipe bracket:
2 CorSTRUT cantilever arms, 2 special 90° angle brackets, 1 heavy collar
- A heavy clamp may be sufficient as the structure has a guiding function
- Clamp, with or without rubber, not included in the package



Code	A [mm]
976X300	300
976X450	450
976X600	600



SPECIFICATION ITEM
Supply and installation of industrial pipe brackets with adjustable distance from the wall for vertical pipes with the possibility of inserting bracing to increase their resistance if necessary, made of stainless steel, with all the relative fastening components, of the 976X pipe bracket Corh type.